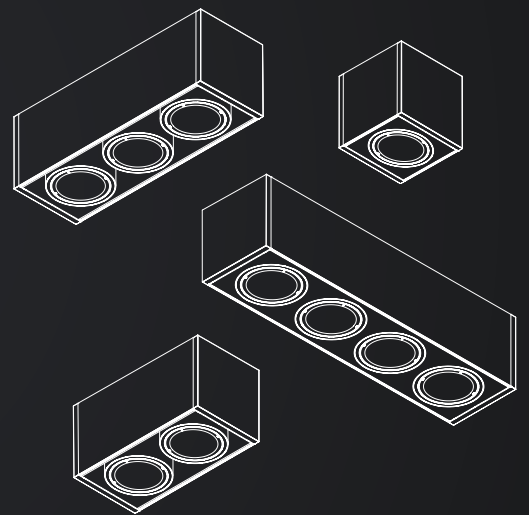


GX ADAPT

Small Aperture
Multi-Head System



ADAPTS TO
YOUR SPACE



GX Adapt

Small Aperture
Multi-Head System



GX, Adapts To Your Space

The GX Adapt is a modern, compact luminaire that redefines the traditional multiple light fixture. It boasts a sleek small form factor and combines the architectural refinement of Birchwood extrusions and machined end-caps with the renowned optical performance of Intense Lighting. This makes it an ideal choice for offices, hospitality spaces, and high-end retail environments. The GX Adapt is available in pendant and surface mounted configurations, and its stylish design and superior functionality make it a perfect lighting solution for various commercial applications.

- Powerful 2-inch aperture heads provide up to 800 lumens each in 1- to 4-head configurations
- Seamless operation with tool-free adjustability
- Effortless aiming with 30° vertical tilt and 360° horizontal rotation
- 3.25" extruded housing can be surface mounted or cable suspended

Lumen Packages

L05		7.5W	600lm
L0		10.5W	800lm

Color Control

CCT/CRI & light source features 2700K-4000K in 90CRI at 2 SDCM

90 CRI	27 2700K	30 3000K	2 SDCM
	35 3500K	40 4000K	



GX 1-Head



GX 2-Head



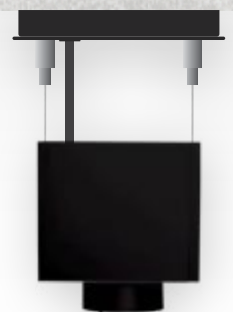
GX 3-Head



GX 4-Head



Surface Mount



Suspended Cable