

MXG2PSD

3.5" MX G2 LED Warm Dim Square Downlight Cylinder

JOB NAME		CATALOG NUMBER	
NOTES		TYPE	

ELECTRICAL DATA

LED Light Engine	System Wattage *	CCT / CRI	Delivered Lumens **
WD1	13.5W	3000K-1800K / 92 CRI	900lm
WD2	16.5W	3000K-1800K / 92 CRI	1150lm

* System Wattage includes driver and LED Module consumption.

** Delivered lumens will vary depending on trim, CCT, CRI, optic and ceiling thickness

FEATURES

- Halogen style profile that warms as it dims
- 3000K at full intensity to 1800K at lowest dim level
- Field changeable optics: 24°, 30°, 45°
- Sleek, high performance pendant complements MX downlighting family
- Offered in various mounting options including cable, stem and surface
- Utilizes MX trims to ensure aesthetic consistency across the product line
- Control protocols from Phase, 0-10V, Lutron and DMX with options available in 0.1%
- Unique flush, surface mount design allows for precise alignment and adjustment

LED LIGHT ENGINE

- >50,000 hours L70 (rated life at 70% output)

ELECTRICAL SYSTEM

- 120/277V 50/60Hz input
- Class 2 power supply
- Over voltage/current and short circuit protection with auto recovery

DIMMING

- Forward/reverse phase dimming 1% (120V only)
- 0-10V Dimming 1%
- eldoLED 0-10V 0.1% or 1%
- Lutron® LDE1 Hi-Lume 1% EcoSystem LED driver with Soft-on, Fade-to-Black dimming technology
- DMX512 RDM 0.1%

MOUNTING

- Mounts to 4" octagon J-Box with raised fixture cover (supplied by others)
- 9-inch model requires remote driver box
- 0-10V and Lutron options requires remote driver box for cable mount option
- DMXR option requires remote driver box for cable and pendant mount options
- Pendant stems supplied with complete canopy assembly
- Cable / pendant mount are matched to housing finish

TRIM SPECIFICATION

- A380 aluminum die-cast trims
- Durable powder coat available in multiple finishes

REMOTE BOX

- Remote box included when required by specification
- Galvanized steel construction
- Separate line voltage and low voltage wiring compartments
- 50ft remote distance maximum

ACCESSORIES

Luminaire will accommodate (2) accessories, accessory holder required. Accessory holder not compatible with lensed trims

LISTING / WARRANTY

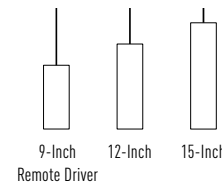
- ETL Listed to US and Canadian standards for damp locations
- ETL Listed to US and Canadian standards for wet locations. Available with lensed surface mount options only.
- 5-Year Intense LED Limited Warranty



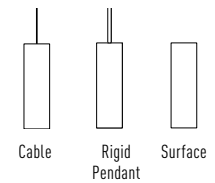
MX



Pendant Size Options



Mounting Options



(See Page 2 For Dimensions)

Available Trim Finishes



Cylinder Part Number (Example: MXG2PSD2WD1DIMNFWBR12)

Cylinder	Height	Wattage	Dimming (120-277V)	Optic	Housing Finish
MXG2PSD	1 (9")	WD1 (13.5W)	DIM ¹ (Phase Dimming)	NF (24° Narrow Flood)	B (Black)
	2 (12")	WD2 (16.5W)	D101 ² (0-10V Dimming 1%)	FL (30° Flood)	W (White)
	3 ⁵ (15")		ED10V1 ² (eldoLED 0-10V 1%) ED10V01 ² (eldoLED 0-10V 0.1%) LUT ³ (Lutron® LDE1 EcoSystem 1%) DMXR ^{2,3} (DMX512 RDM .01%)	WF (45° Wide Flood)	

Trim Finish	Lens	Mounting
B (Black)	blank (None)	C48 ² (48" Cable)
W (White)	SL ⁴ (Solite)	C96 ² (96" Cable)
SN (Satin Nickel)	CR ⁴ (Clear)	R12 (12" Rigid Pendant)
AB (Antique Bronze)	FR ⁴ (Frosted)	R18 (18" Rigid Pendant)
		R24 (24" Rigid Pendant)
		R36 (36" Rigid Pendant)
		R48 (48" Rigid Pendant)
		S ⁶ (Surface)

Notes:

- Not Available in 277V
- 0-10V and Lutron options require remote driver box for cable mount option;
- Surface mount or remote driver box required
- Accessories holder not compatible with lensed trims
- Special order, consult factory for lead times
- A lens option must be selected for wet location applications. Surface mount can be used in wet locations, see instruction sheet for proper installation instructions.

Accessories⁵

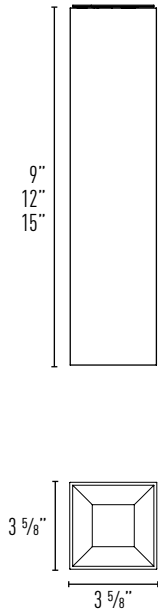
- LH47 (Accessory Holder, Black)
- LH47W (Accessory Holder, White)
- PFLMB-47 (Hex Louver, Black)
- PFL1-47 (Prismatic Spread Lens)
- PFL2-47 (Linear Spread Lens)
- PFL4-47 (Solite Lens)

MXG2PSD

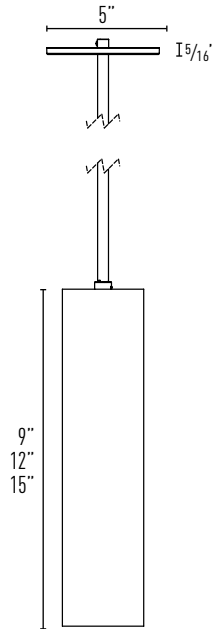
3.5" MX G2 LED Warm Dim Square Downlight Cylinder

JOB NAME		CATALOG NUMBER	
NOTES		TYPE	

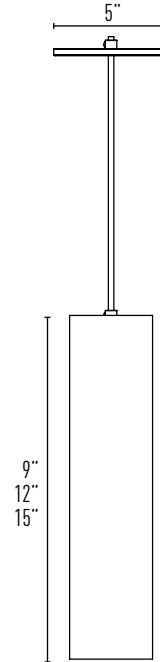
Surface Mount



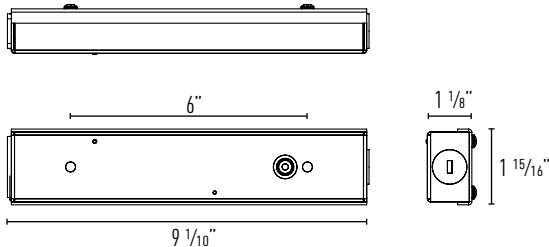
Rigid Pendant Mount



Cable Mount



Remote Mounted driver options

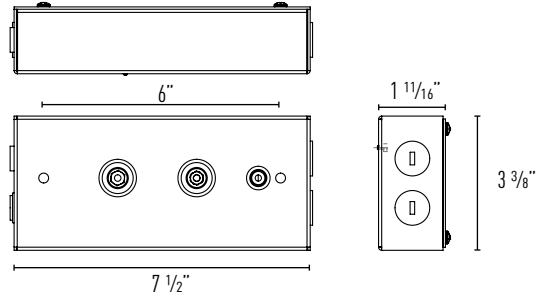


Remote Driver Box For

9-inch Non-Dimming
Phase Dimming
0-10V Dimming 1%

12 & 15-inch 0-10V Dimming 1% (Cable)

Note: Wires for class 2 LED driver require a minimum of 18 AWG wire at a maximum of 50 feet length per local and national electrical regulations.



Remote Driver Box For

9-inch eldoLED 0-10V 1%
eldoLED 0-10V 0.1%
Lutron Hi-Lume® 1%
Lutron EcoSystem® 1%
DMX512 RDM 0.1%

12 & 15-inch Lutron Hi-Lume® 1% (Cable)
Lutron EcoSystem® 1% (Cable)
DMX512 (Cable and Rigid Pendant)

Note: Wires for class 2 LED driver require a minimum of 18 AWG wire at a maximum of 50 feet length per local and national electrical regulations.

JOB NAME		CATALOG NUMBER	
NOTES		TYPE	

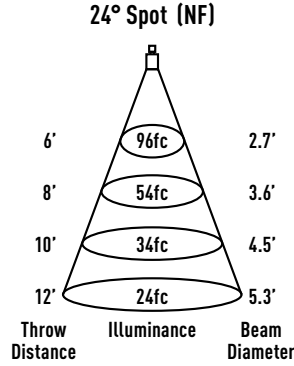
MXG2PSD (WD1)

REPORT #:

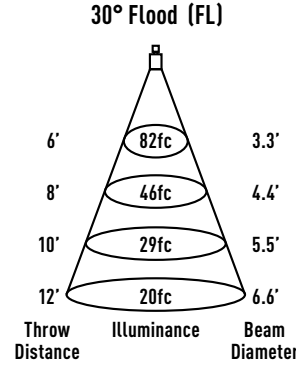
ILL20181001-9.001 (24)
ILL20180917-17.001 (30)
ILL20180919-25.001 (45)

TRIM MULTIPLIERS:

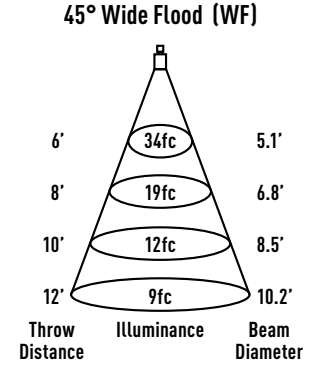
MXTG2-STRD300 (x 1.00)
MXTG2-STRR300 (x 0.93)



Watts: 13.5
Lumens: 784
LPW: 58
CCT: 3000K



Watts: 13.5
Lumens: 936
LPW: 69
CCT: 3000K



Watts: 13.5
Lumens: 816
LPW: 60
CCT: 3000K

Intensity	
Degree	Candela
0°	3442
5°	3074
15°	1196
25°	212
35°	26
45°	7

Intensity	
Degree	Candela
0°	2938
5°	2778
15°	1549
25°	415
35°	61
45°	10

Intensity	
Degree	Candela
0°	1233
5°	1206
15°	971
25°	531
35°	202
45°	52

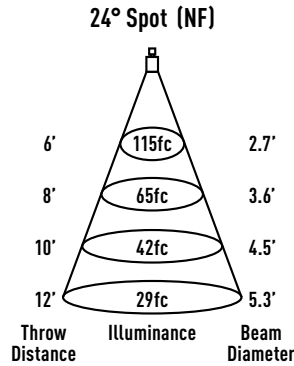
MXG2PSD (WD2)

REPORT #:

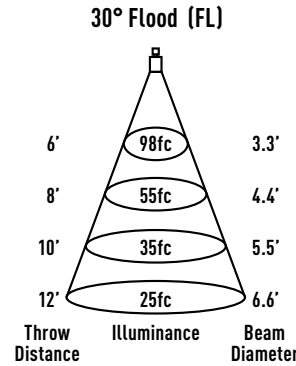
ILL20181001-9.002 (24)
ILL20180917-17.002 (30)
ILL20180919-25.002 (45)

TRIM MULTIPLIERS:

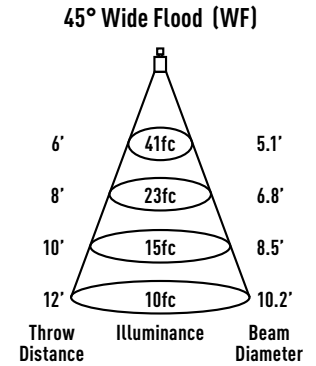
MXTG2-STRD300 (x 1.00)
MXTG2-STRR300 (x 0.93)



Watts: 16.4
Lumens: 945
LPW: 58
CCT: 3000K



Watts: 16.4
Lumens: 1128
LPW: 69
CCT: 3000K



Watts: 16.4
Lumens: 983
LPW: 60
CCT: 3000K

Intensity	
Degree	Candela
0°	4147
5°	3704
15°	1441
25°	255
35°	31
45°	8

Intensity	
Degree	Candela
0°	3540
5°	3347
15°	1866
25°	500
35°	73
45°	12

Intensity	
Degree	Candela
0°	1486
5°	1454
15°	1170
25°	640
35°	244
45°	63