

# MXFG2DRTR

## 3.5" MX G2 Naked LED Downlight

JOB NAME		CATALOG NUMBER	
NOTES		TYPE	

### ELECTRICAL DATA

LED Light Engine	System Wattage *	CCT / CRI	Delivered Lumens **	Lumens Per Watt
L0	11W	3000K / 82 CRI	950lm	95
L1	16W	3000K / 82 CRI	1300lm	81
L2	22W	3000K / 82 CRI	1550lm	78
L3	27W	3000K / 82 CRI	1850lm	71

\*System Wattage include driver and LED Module consumption. \*\*Delivered lumens will vary depending on trim, CCT, CRI, optic and ceiling thickness

### FEATURES

- High center beam spot up to 24,500 CBCP
- Available optics: 12°, 24°, 36° or 50°

### LED LIGHT ENGINE

- 92 CRI & 82 CRI in 2700K, 3000K, 3500K or 4100K with 2SDCM binning
- >50,000 hours L70 (rated life at 70% output)

### ELECTRICAL SYSTEM

- Dedicated voltage options of 120V or 277V. Must be specified in catalog code.
- This product complies with IEEE C62.41 for surge endurance up to 2.5KV
- Additional surge protection recommended, damage from power surge is not covered by warranty

### DIMMING

- 0-10V Dimming 1%
- Forward/reverse dimming 1% (120V only)
- EldoLED 0-10V 0.1% or 1%
- Lutron® LDE1 Hi-Lume 1% EcoSystem LED driver with Soft-on, Fade-to-Black dimming technology
- DMX512 RDM 0.1%

### HOUSING

- Heavy duty galvanized 18 gauge steel frame
- Standard plaster frame accommodates 1/2" to 1-1/4" ceiling thickness
- Extended collar options available for ceilings up to 1-1/4" to 2-1/2" thick

### TRIM SPECIFICATION

- A380 aluminum die-cast trims
- Durable powder coat available in multiple finishes

### ACCESSORIES

- Luminaire will accommodate (2) accessories, accessory holder required, see page 2.

### TRIMLESS MUD RING:

Perforated collar for seamless and trimless mounting. Must be ordered separately and can only be used in conjunction with trimless trims.

### INSTALLATION

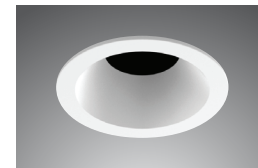
- Non-IC rated housings must be kept at a minimum of 3" away from insulation
- Fixture includes adjustable bar hangers (14"-24") for wood joist or t-bar ceiling installations
- Bar hangers can be installed in either direction
- Maximum ambient temperature: 95°F (35°C)

### EMERGENCY BACKUP

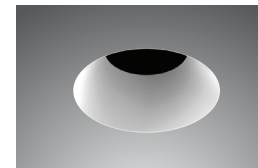
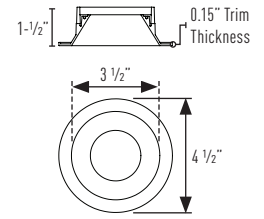
- Remote test switch included
- External battery operates LED load at a minimum of 500lm to 850lm for 90 minutes, depending on backup wattage
- Servicing requires above ceiling access

### LISTING / WARRANTY

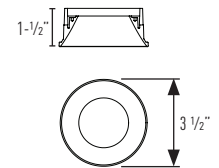
- 5-Year Intense LED Limited Warranty
- ETL Listed to US and Canadian standards for damp locations



**MXTFG2-RTRD300**  
(1-1/2" Regress)



**MXTFG2-RTLD300**  
(1-1/2" Regress Trimless Trim)



### Available Trim Finishes



Housing dimensions on Page 2

### Related Products

For Adjustable, Wall Wash and other Trim options see standard MX Downlight Products



See [MXG2DRTR](#) for more downlight trim options



See [MXG2ARTR](#) for adjustable alternative



See [MXG2WRTR](#) for wall alternative

### Housing Part Number (Example: MXFG2DRTR-NCL2DELV)

Housing	Installation Type	Ceiling Thickness	Wattage	Dimming	Voltage	Options
MXFG2DRTR	-NC (Non-IC)	blank (1/2" to 1-1/4")	L0 (11W)	blank (Non-Dimming)	blank (120V)	EM7 <sup>4</sup> (7W Emergency Backup <a href="#">IOTA Part #ILB-CP07-A</a> ) EM12 <sup>4,5</sup> (12W Emergency Backup <a href="#">IOTA Part #ILB-CP12-A</a> )
			L1 (16W)	DELV <sup>1</sup> (Phase Dimming)		
		L2 (22W)	D101 (0-10V Dimming 1%)			
		L3 (27W)	ED10V1 <sup>2</sup> (eldoLED 0-10V 1%)			
			ED10V01 <sup>2</sup> (eldoLED 0-10V 0.1%)			
	LUT <sup>3</sup> (Lutron® LDE1 EcoSystem 1%)					
		EC2 (1-1/4" to 2-1/2")				

### Trim Part Number (Example: MXTFG2-RTRD300W-SFL03024)

Trim	Trim Finish	Trim Type	Wattage	CCT / CRI	Optic
MXTFG2-RTRD300 (1-1/2" Regress)	W (White)	-SF <sup>7</sup> (Self Flanged)	L0 (11W)	27 (2700K / 82 CRI)	12 (12° SP)
	B <sup>6</sup> (Black)	blank <sup>8</sup> (Trimless, for use with mud ring only)	L1 (16W)	279 (2700K / 92 CRI)	24 (24° NFL)
MXTFG2-RTLD300 (1-1/2" Regress Trimless Trim)	SN <sup>6</sup> (Satin Nickel)		L2 (22W)	30 (3000K / 82 CRI)	36 (36° FL)
			L3 (27W)	309 (3000K / 92 CRI)	50 (50° WFL)
				35 (3500K / 82 CRI)	
				359 (3500K / 92 CRI)	
				41 (4100K / 82 CRI)	
			419 (4100K / 92 CRI)		

### Notes:

- Available in 120V only
- Not Available in L3
- Not available with L2 & L3
- Access above ceiling required
- Not available in L0
- Consult factory for lead times
- Self Flanged trim type is only compatible with RTRD trim
- Trimless trim type is only compatible with RTLD trim. Mud Ring accessory is only compatible with RTLD trim and must be ordered separately.

SPECIFICATION SHEET / M-July 19, 2025 4:15 PM P-1

INTENSE LIGHTING | 3340 E La Palma Ave, Anaheim, CA 92806 | tel 714 630-9877 | fax 714 630-9883

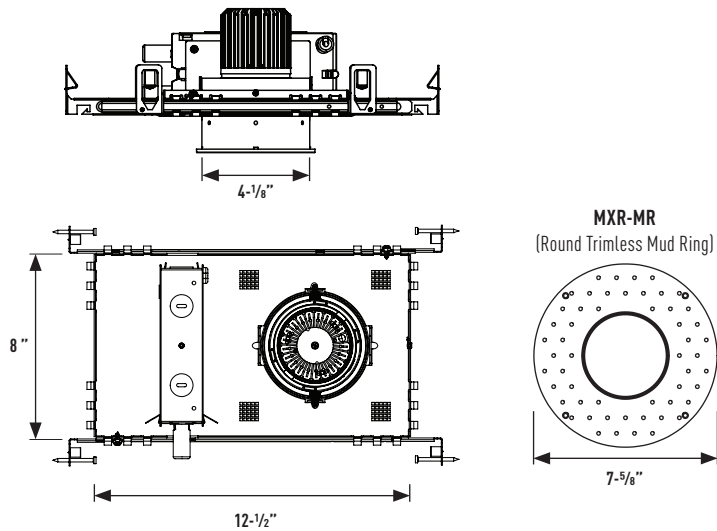
For Intense Lighting's limited product warranty, go to [www.intenselighting.com](http://www.intenselighting.com). For a printed copy of the warranty, you may call 800 961-5321.

© 2025 Intense Lighting, LLC. All rights reserved. Note: This document is subject to change without notice.

# MXFG2DRTR

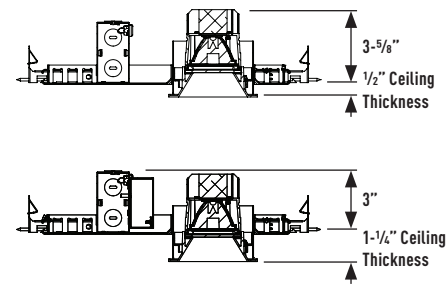
3.5" MX G2 Naked LED Downlight

## HOUSING DIMENSIONS

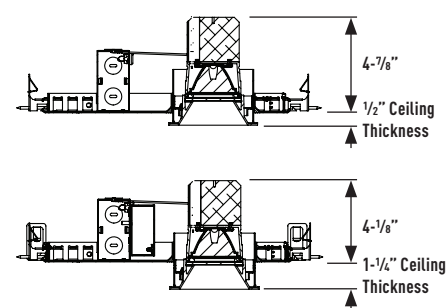


JOB NAME		CATALOG NUMBER	
NOTES		TYPE	

### L0-L1 Lumen Package



### L2-L3 Lumen Package



### Adjustable Collar Height

Collar Type	Standard	EC2
Max Ceiling Thickness	1/2" to 1-1/4"	1-1/4" to 2-1/2"

## ACCESSORIES:

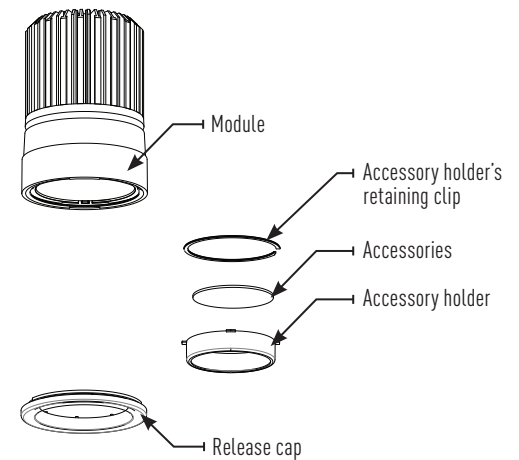
Luminaire will accommodate (2) accessories, accessory holder required.

## INSTALLATION:

1. Rotate release cap by turning counter clockwise.
2. Install accessories into accessory holder and replace accessory holder's retaining clip.
3. Place accessory holder and accessory flush against optic and replace release cap.

## Accessories

LH47	(Accessory Holder, Black)
LH47W	(Accessory Holder, White)
PFLMB-47	(Hex Louver, Black)
PFL1-47	(Prismatic Spread Lens)
PFL2-47	(Linear Spread Lens)
PFL4-47	(Soft Focus Lens)



JOB NAME		CATALOG NUMBER	
NOTES		TYPE	

## MXTFG2-RTRD300WL0

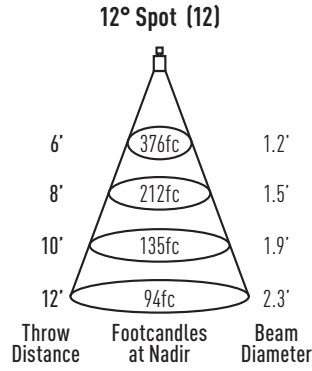
Report #: ILL-01262016-37 (12)  
 ILL-01262016-40 (24)  
 ILL-01262016-43 (36)  
 ILL-01262016-46 (50)

### CCT MULTIPLIERS:

	82 CRI	92 CRI
2700K	(x 0.93)	(x 0.76)
3000K	(x 1.00)	(x 0.87)
3500K	(x 1.00)	(x 0.87)
4100K	(x 1.00)	(x 0.87)

### EMERGENCY MULTIPLIER:

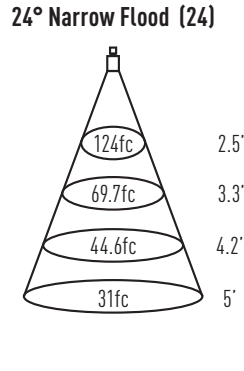
7W Emergency (x 0.70)



Watts: 11.3  
 Lumens: 779  
 LPW: 78  
 CCT: 3000K

### Candelas at Nadir

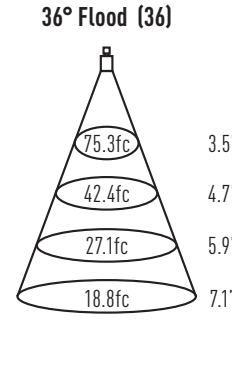
Degree	CBCP
0°	13539
5°	7504
15°	565
25°	95
35°	34
45°	6



Watts: 11.3  
 Lumens: 863  
 LPW: 86  
 CCT: 3000K

### Candelas at Nadir

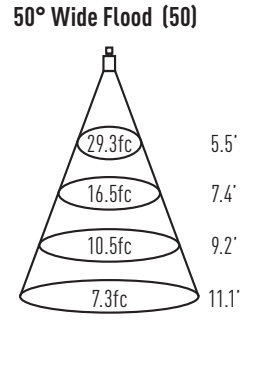
Degree	CBCP
0°	4461
5°	3947
15°	1373
25°	226
35°	25
45°	3



Watts: 11.3  
 Lumens: 955  
 LPW: 96  
 CCT: 3000K

### Candelas at Nadir

Degree	CBCP
0°	2712
5°	2738
15°	1615
25°	448
35°	70
45°	6



Watts: 11.3  
 Lumens: 837  
 LPW: 84  
 CCT: 3000K

### Candelas at Nadir

Degree	CBCP
0°	1055
5°	1115
15°	991
25°	573
35°	222
45°	56

## MXTFG2-RTRD300WL1

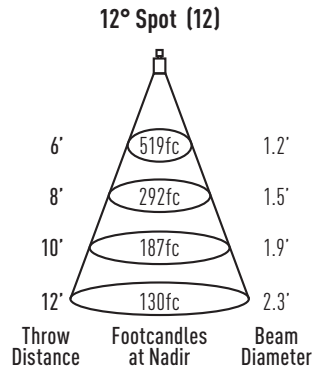
Report #: ILL-01262016-13 (12)  
 ILL-01262016-16 (24)  
 ILL-01262016-19 (36)  
 ILL-01262016-22 (50)

### CCT MULTIPLIERS:

	82 CRI	92 CRI
2700K	(x 0.93)	(x 0.76)
3000K	(x 1.00)	(x 0.87)
3500K	(x 1.00)	(x 0.87)
4100K	(x 1.00)	(x 0.87)

### EMERGENCY MULTIPLIER:

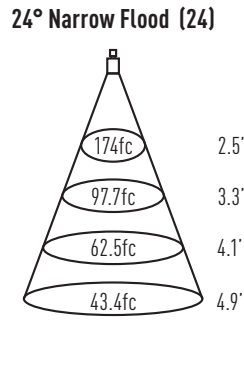
7W Emergency (x 0.50)  
 12W Emergency (x 0.85)



Watts: 16  
 Lumens: 1083  
 LPW: 69  
 CCT: 3000K

### Candelas at Nadir

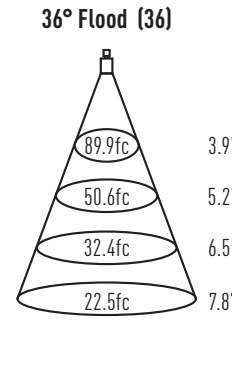
Degree	CBCP
0°	18687
5°	10403
15°	794
25°	127
35°	48
45°	8



Watts: 16  
 Lumens: 1199  
 LPW: 77  
 CCT: 3000K

### Candelas at Nadir

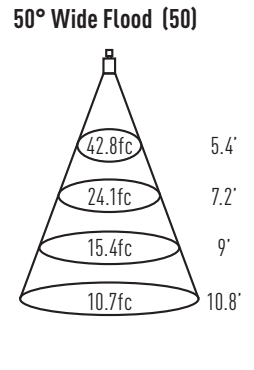
Degree	CBCP
0°	6250
5°	5532
15°	1904
25°	317
35°	32
45°	4



Watts: 16  
 Lumens: 1327  
 LPW: 85  
 CCT: 3000K

### Candelas at Nadir

Degree	CBCP
0°	3235
5°	3228
15°	2163
25°	707
35°	135
45°	14



Watts: 16  
 Lumens: 1172  
 LPW: 75  
 CCT: 3000K

### Candelas at Nadir

Degree	CBCP
0°	1540
5°	1624
15°	1411
25°	789
35°	301
45°	77

JOB NAME		CATALOG NUMBER	
NOTES		TYPE	

## MXTFG2-RTRD300WL2

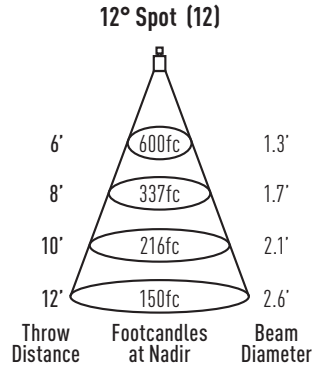
Report #: ILL-01262016-25 (12)  
 ILL-01262016-28 (24)  
 ILL-01262016-31 (36)  
 ILL-01262016-34 (50)

### CCT MULTIPLIERS:

	82 CRI	92 CRI
2700K	(x 0.93)	(x 0.76)
3000K	(x 1.00)	(x 0.87)
3500K	(x 1.00)	(x 0.87)
4100K	(x 1.00)	(x 0.87)

### EMERGENCY MULTIPLIER:

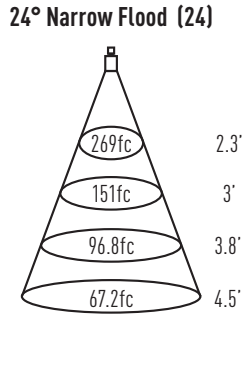
7W Emergency	(x 0.40)
12W Emergency	(x 0.68)



Watts: 21.5  
 Lumens: 1354  
 LPW: 66  
 CCT: 3000K

### Candelas at Nadir

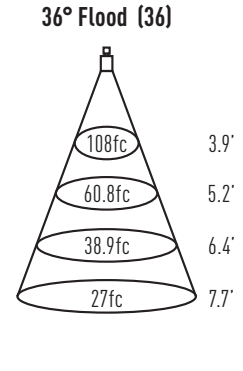
Degree	CBCP
0°	21591
5°	13700
15°	796
25°	173
35°	68
45°	11



Watts: 21.5  
 Lumens: 1533  
 LPW: 75  
 CCT: 3000K

### Candelas at Nadir

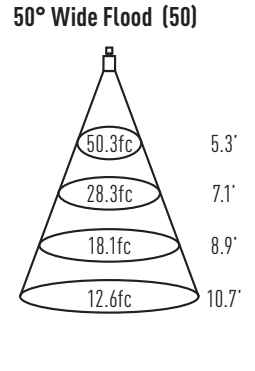
Degree	CBCP
0°	9680
5°	8164
15°	2346
25°	275
35°	33
45°	5



Watts: 21.5  
 Lumens: 1558  
 LPW: 76  
 CCT: 3000K

### Candelas at Nadir

Degree	CBCP
0°	3894
5°	3806
15°	2527
25°	828
35°	166
45°	15



Watts: 21.5  
 Lumens: 1353  
 LPW: 66  
 CCT: 3000K

### Candelas at Nadir

Degree	CBCP
0°	1809
5°	1894
15°	1633
25°	908
35°	346
45°	88

## MXTFG2-RTRD300WL3

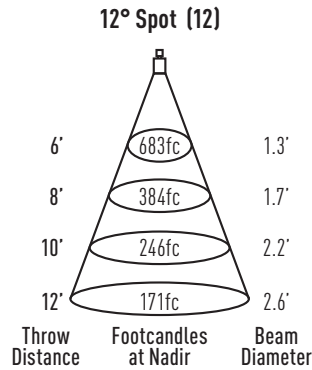
Report #: ILL-01262016-10 (12)  
 ILL-01262016-07 (24)  
 ILL-01262016-01 (36)  
 ILL-01262016-04 (50)

### CCT MULTIPLIERS:

	82 CRI	92 CRI
2700K	(x 0.93)	(x 0.76)
3000K	(x 1.00)	(x 0.87)
3500K	(x 1.00)	(x 0.87)
4100K	(x 1.00)	(x 0.87)

### EMERGENCY MULTIPLIER:

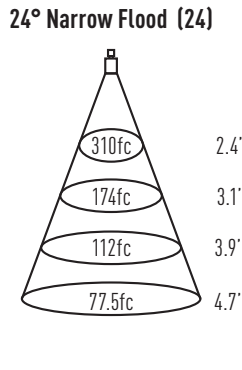
7W Emergency	(x 0.35)
12W Emergency	(x 0.59)



Watts: 27.2  
 Lumens: 1571  
 LPW: 60  
 CCT: 3000K

### Candelas at Nadir

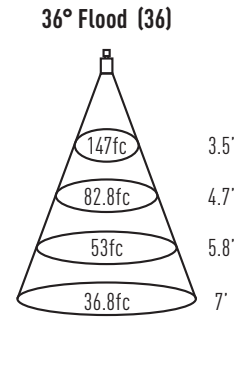
Degree	CBCP
0°	24594
5°	15787
15°	896
25°	196
35°	73
45°	13



Watts: 27.2  
 Lumens: 1876  
 LPW: 71  
 CCT: 3000K

### Candelas at Nadir

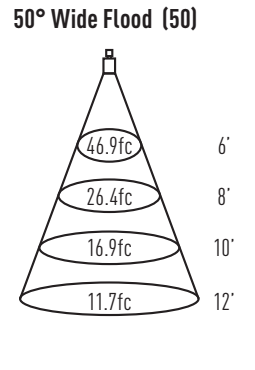
Degree	CBCP
0°	11154
5°	9641
15°	2938
25°	345
35°	40
45°	6



Watts: 27.2  
 Lumens: 1809  
 LPW: 69  
 CCT: 3000K

### Candelas at Nadir

Degree	CBCP
0°	5302
5°	5217
15°	3025
25°	821
35°	142
45°	14



Watts: 27.2  
 Lumens: 1457  
 LPW: 55  
 CCT: 3000K

### Candelas at Nadir

Degree	CBCP
0°	1688
5°	1718
15°	1588
25°	999
35°	424
45°	121