

# MXFG2DSTR

## 3.5" MX G2 Naked Warm Dim Square Downlight

JOB NAME		CATALOG NUMBER	
NOTES		TYPE	

### ELECTRICAL DATA

LED Light Engine	System Wattage *	CCT / CRI	Delivered Lumens **	Lumens Per Watt
WD1	13.5W	3000K-1800K / 92 CRI	900lm	66 lm/W
WD2	16.5W	3000K-1800K / 92 CRI	1150lm	70 lm/W

\* System Wattage include driver and LED Module consumption.

\*\* Delivered lumens will vary depending on trim, CCT, CRI, optic and ceiling thickness

### FEATURES

- Halogen style profile that warms as it dims 3000K at full intensity to 1800K at lowest dim level

### LED LIGHT ENGINE

- 3000K to 1800K programmable tuning at 92 CRI
- 50,000 hours L70 (rated life at 70% output)

### ELECTRICAL SYSTEM

- Multiple dimming drivers available
- 120V or 277V input; Power factor >.9, 50/60Hz
- This product complies with IEEE C62.41 for surge endurance up to 2.5KV
- Additional surge protection recommended, damage from power surge is not covered by warranty

### DIMMING

- 0-10V Dimming 1%
- Forward/reverse dimming 1% (120V only)
- EldoLED 0-10V 0.1% or 1%
- Lutron® LDE1 Hi-Lume 1% EcoSystem LED driver with Soft-on, Fade-to-Black dimming technology
- Lutron® LTEAZW Hi-Lume 1% 2-Wire LED driver (120V forward phase only)
- DMX512 RDM 0.1%

### HOUSING

- Heavy duty galvanized 18 gauge steel frame
- Standard plaster frame accommodates 1/2" to 1-1/4" ceiling thickness
- Extended collar options available for ceilings up to 1-1/4" to 2-1/2" thick

### TRIM SPECIFICATION

- A380 aluminum die-cast trims
- Durable powder coat available in multiple finishes
- Discrete self flange painted

### INSTALLATION

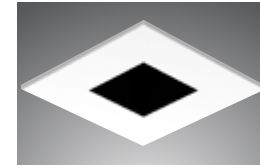
- Non-IC rated housings must be kept at a minimum of 3" away from insulation
- Fixture includes adjustable bar hangers (14"-24") for wood joist or t-bar ceiling installations
- Bar hangers can be installed in either direction
- Maximum ambient temperature: 95°F (35°C)

### EMERGENCY BACKUP

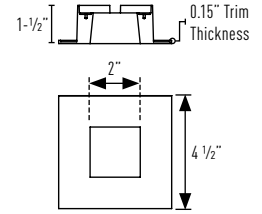
- Remote test switch included
- External battery operates LED load at a minimum of 500lm to 850lm for 90 minutes, depending on backup wattage selected
- Servicing requires above ceiling access

### LISTING / WARRANTY

- 5-Year Intense LED Limited Warranty
- ETL listed to US and Canadian standards for damp locations



**MXTFG2-STRD306**  
(1-1/2" Regress)



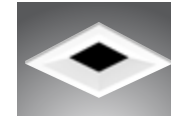
### Available Trim Finishes



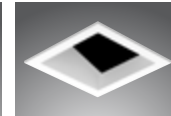
Housing dimensions are on Page 2

### Related Products

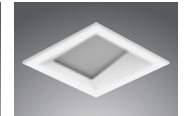
For adjustable, wall wash and other trim options see standard MX Downlight Products



Please see [MXG2DSTR](#)  
For more downlight trim options



Please see [MXG2ASTR](#)  
For adjustable alternative



Please see [MXG2WSTR](#)  
For wall alternative

Housing Part Number (Example: MXFG2DSTR-NCWD1DELV)

Housing	Installation Type	Ceiling Thickness	Wattage	Dimming	Voltage	Options
MXFG2DSTR	-NC (Non-IC)	blank (1/2" to 1-1/4")	WD1 (13.5W)	blank (Non-Dimming)	blank (120V)	EM7 <sup>3</sup> (7W Emergency Backup <a href="#">IOTA Part #ILB-CP07-A</a> )
		EC2 (1-1/4" to 2-1/2")	WD2 (16.5W)	DELV <sup>1</sup> (Phase Dimming) D101 (0-10V Dimming 1%) LUT <sup>2</sup> (Lutron® LDE1 EcoSystem 1%) LUT2 <sup>1</sup> (Lutron® LTEAZW 2-Wire 1%)	27 (277V)	EM12 <sup>3</sup> (12W Emergency Backup <a href="#">IOTA Part #ILB-CP12-A</a> )

Trim Part Number (Example: MXTFG2-STRD306WWD1NF)

Trim	Finish	Wattage	Optic
MXTFG2-STRD306 (1-1/2" Regress)	B (Black)	WD1 (13.5W)	NF (24° NFL)
	W (White)	WD2 (16.5W)	FL (30° FL) WF (45° WFL)

### Accessories

- LH47 (Accessory Holder, Black)
- LH47W (Accessory Holder, White)
- PFLMB-47 (Hex Louver, Black)
- PFL1-47 (Prismatic Spread Lens)
- PFL2-47 (Linear Spread Lens)
- PFL4-47 (Soft Focus Lens)

### Notes:

- Available in 120V only
- Not available with WD1
- Access above ceiling required

SPECIFICATION SHEET/LM-0915/20 P-16

INTENSE LIGHTING | 3340 E La Palma Ave, Anaheim, CA 92806 | tel 714 630-9877 | fax 714 630-9883

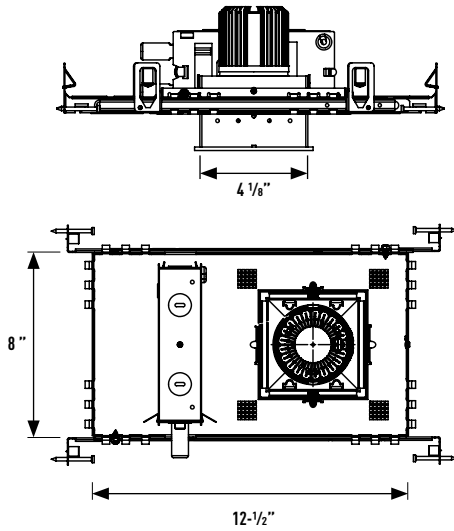
For Intense Lighting's limited product warranty, go to [www.intenselighting.com](http://www.intenselighting.com). For a printed copy of the warranty, you may call 800 961-5321.

© 2020 Intense Lighting, LLC. All rights reserved. Note: This document is subject to change without notice.

# MXFG2DSTR

3.5" MX G2 Naked Warm Dim Square Downlight

## HOUSING DIMENSIONS

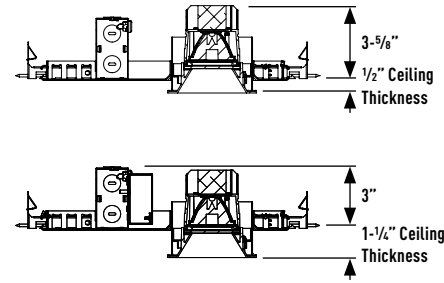


### Adjustable Collar Height

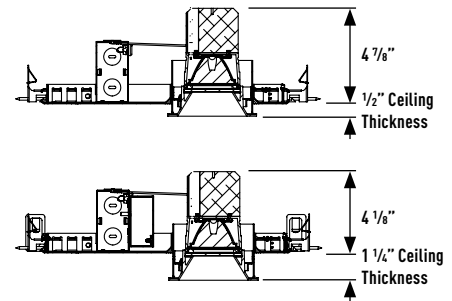
Collar Type	Standard	EC2
Max Ceiling Thickness	1/2" - 1 1/4"	1 1/4" - 2-1/2"

JOB NAME	CATALOG NUMBER
NOTES	TYPE

### L0-L1 Lumen Package



### L2-L3 Lumen Package

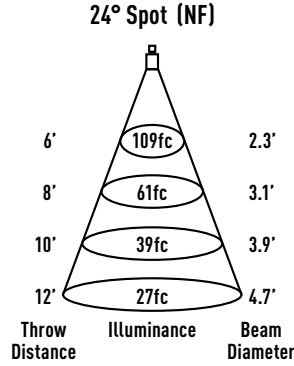


JOB NAME		CATALOG NUMBER	
NOTES		TYPE	

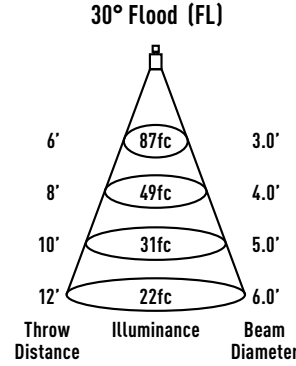
## MXTG2-STLD306WWD1

**REPORT #:**  
 ILL20181001-11.001 (24)  
 ILL20180917-19.001 (30)  
 ILL20180919-27.001 (45)

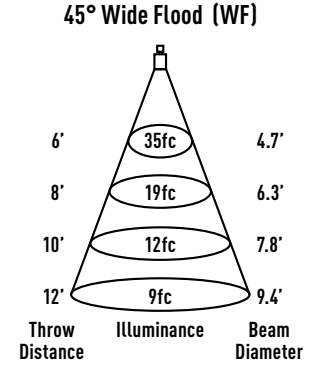
**TRIM MULTIPLIERS:**  
 MXTG2-STRD306 (x 1.00)  
 MXTG2-STRR306 (x 1.00)



**Watts:** 13.5  
**Lumens:** 614  
**LPW:** 45  
**CCT:** 3000K



**Watts:** 13.5  
**Lumens:** 835  
**LPW:** 62  
**CCT:** 3000K



**Watts:** 13.5  
**Lumens:** 683  
**LPW:** 51  
**CCT:** 3000K

Intensity	
Degree	Candela
0°	3905
5°	3395
15°	833
25°	43
35°	6
45°	3

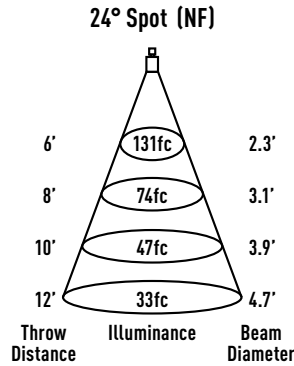
Intensity	
Degree	Candela
0°	3130
5°	2924
15°	1402
25°	282
35°	36
45°	3

Intensity	
Degree	Candela
0°	1245
5°	1218
15°	967
25°	441
35°	107
45°	4

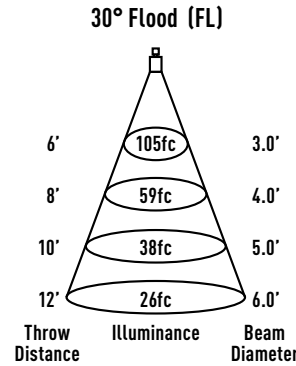
## MXTG2-STLD306WWD2

**REPORT #:**  
 ILL20181001-11.002 (24)  
 ILL20180917-19.002 (30)  
 ILL20180919-27.002 (45)

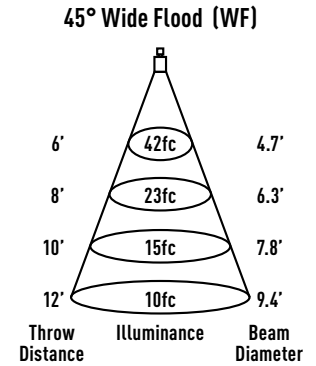
**TRIM MULTIPLIERS:**  
 MXTG2-STRD306 (x 1.00)  
 MXTG2-STRR306 (x 1.00)



**Watts:** 16.4  
**Lumens:** 739  
**LPW:** 45  
**CCT:** 3000K



**Watts:** 16.4  
**Lumens:** 1006  
**LPW:** 61  
**CCT:** 3000K



**Watts:** 16.4  
**Lumens:** 823  
**LPW:** 50  
**CCT:** 3000K

Intensity	
Degree	Candela
0°	4705
5°	4091
15°	1004
25°	52
35°	7
45°	4

Intensity	
Degree	Candela
0°	3771
5°	3523
15°	1689
25°	340
35°	43
45°	3

Intensity	
Degree	Candela
0°	1500
5°	1468
15°	1165
25°	531
35°	129
45°	5