

# MXG2DRTR

## 3.5" MX G2 LED Warm Dim Lensed Downlight Wood Ceiling - Wet Location

<b>JOB NAME</b>		<b>CATALOG NUMBER</b>	
<b>NOTES</b>		<b>TYPE</b>	

### ELECTRICAL DATA

LED Light Engine	System Wattage *	CCT / CRI	Delivered Lumens **
WD1	13.5W	3000K-1800K / 92 CRI	750lm
WD2	16.5W	3000K-1800K / 92 CRI	900lm

\* System Wattage includes driver and LED Module consumption.

\*\* Delivered lumens will vary depending on trim, CCT, CRI, optic and ceiling thickness

### FEATURES

- Halogen style profile that warms as it dims
- 3000K at full intensity to 1800K at lowest dim level
- Field changeable optics: 24°, 30°, 45°

### LED LIGHT ENGINE

- 3000K to 1800K programmable tuning at 92 CRI
- 50,000 hours L70 (rated life at 70% output)

### ELECTRICAL SYSTEM

- Multiple dimming drivers available
- 120V or 277V input; Power factor >.9, 50/60Hz
- This product complies with IEEE C62.41 for surge endurance up to 2.5KV. Additional surge protection recommended. Damage from power surge is not covered by warranty.

### Dimming

- Forward/reverse phase dimming 1% (120V only)
- 0-10V Dimming 1%
- EldoLED 0-10V 0.1% or 1%
- Lutron® LDE1 Hi-Lume 1% EcoSystem LED driver with Soft-on, Fade-to-Black dimming technology
- DMX512 RDM 0.1%

### HOUSING

- Heavy duty black powder coated 18 gauge steel frame
- Standard housing accommodates 5/8" ceiling thickness
- Extended collar options available for ceilings up to 1" or 2" thick, must specify either EC1 or EC2

### TRIM SPECIFICATION

- High quality A380 aluminum die-cast trims
- Trim is available with solite, clear tempered or frosted lens, must specify.

### INSTALLATION

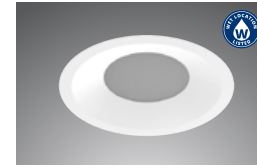
- Housing types include Non-IC, IC Air-Tight and CCEA (Chicago Plenum), must specify
- Non-IC rated housings must be kept at a minimum of 3" away from insulation
- Butterfly brackets are compatible with C-channel, adjustable bar hangers (14"-25") and EMT
- C-channel is recommended for T-bar ceilings
- Bar hangers must be ordered separately
- Max. ambient temperature: 95°F (35°C)

### EMERGENCY BACKUP

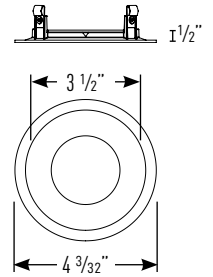
- Remote test switch included
- External battery operates LED load at a minimum of 500lm to 850lm for 90 minutes, depending on backup wattage selected
- Servicing requires above ceiling access

### LISTING / WARRANTY

- 5-Year Intense LED Limited Warranty
- ETL listed to US and Canadian standards for wet locations
- (-IC/CP Only) Air-Tight Certified ASTM E283
- (-IC/CP Only) ETL listed for direct contact w/insulation
- (-CP Only) CCEA Chicago Plenum
- Can be used to comply with Title 24, Part 6, JA8 high efficacy LED light source requirements 4

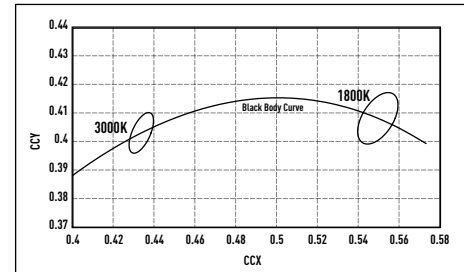
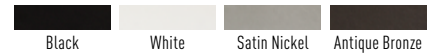


MXTG2-RWLR302  
(1/2" Regress with Lens)



Recommended 4 1/8" precision routing fitment of wood trim; using a hole saw may result in improper fitment, uneven gaps and/or light leak

### Available Trim Finishes



### Housing Part Number (Example: MXG2DRTR-NCWD1)

Housing	Installation Type	Ceiling Thickness	Wattage	Dimming	Voltage	Options
MXG2DRTR	-NC (Non-IC)	blank (5/8")	WD1 (13.5W)	DIM <sup>1</sup> (Phase Dimming)	blank (-NC: 120V Only	<b>I100</b> (C-Channel Bar Hangers)
	-IC (Air-Tight IC)	EC1 (1")	WD2 (16.5W)	D101 (0-10V Dimming 1%)	-IC/-CP: UNV 120V-277V)	<b>I200</b> (Flat Bar Hangers)
	-CP (Chicago Plenum)	EC2 (2")		ED10V1 (eldoLED 0-10V 1%)	27 (277V For -NC Only)	<b>I400</b> (Wood Joist Bar Hangers)
				ED10V01 (eldoLED 0-10V 0.1%)		<b>EM7<sup>3</sup></b> (7W Emergency Backup
				LUT (Lutron® LDE1 EcoSystem 1%)		<a href="#">IOTA Part #ILB-CP07-A</a> )
				DMXR <sup>2</sup> (DMX512 RDM 0.1%)		<b>EM12<sup>3</sup></b> (12W Emergency Backup
						<a href="#">IOTA Part #ILB-CP12-A</a> )

### Trim Part Number (Example: MXTG2-RWLR302WWD1NF-SL)

Trim	Finish	Wattage	Optic	Lens
MXTG2-RWLR302 (1/2" Regress)	W (White)	WD1 (13.5W)	NF (24° Narrow Flood)	-SL <sup>4</sup> (Solite)
	B (Black)	WD2 (16.5W)	FL (30° Flood)	-CR (Clear Tempered)
	SN (Satin Nickel)		WF (45° Wide Flood)	-FR <sup>4</sup> (Frosted)
	AB (Antique Bronze)			

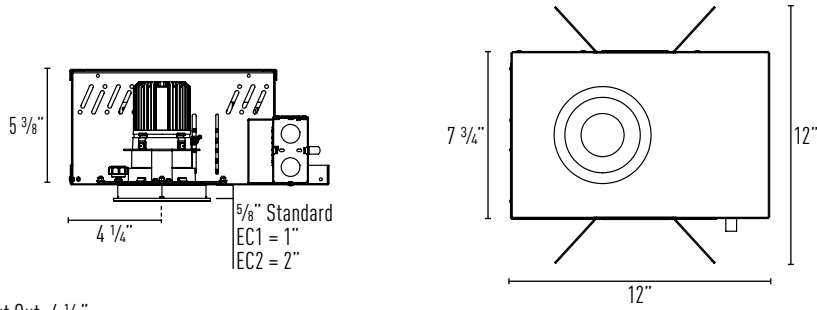
- Notes:**
- Available in 120V only
  - Not available with WD1
  - Access above ceiling required
  - Solite and frosted lens can not be used to comply with Title 24, Part 6, JA8 high efficacy LED light source requirements. Clear lens only.

# MXG2DRTR

3.5" MX G2 LED Warm Dim Lensed Downlight Wood Ceiling - Wet Location

JOB NAME		CATALOG NUMBER	
NOTES		TYPE	

## NON-IC & AIR TIGHT IC DIMENSIONS

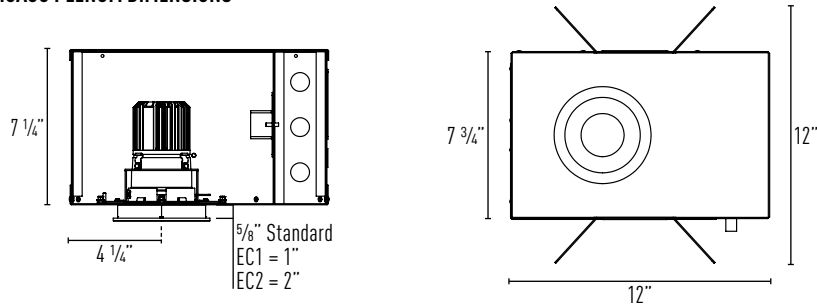


Ceiling Cut Out: 4 1/8"

### Plaster Frame Accommodation

Collar Type	Standard	EC1	EC2
Max Ceiling Thickness	Up-to 5/8"	Up-to 1"	Up-to 2"

## CCEA CHICAGO PLENUM DIMENSIONS



Ceiling Cut Out: 4 1/8"

### Plaster Frame Accommodation

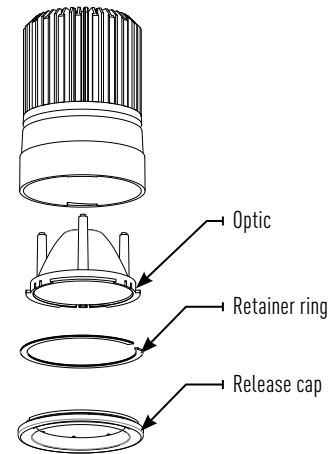
Collar Type	Standard	EC1	EC2
Max Ceiling Thickness	Up-to 5/8"	Up-to 1"	Up-to 2"

## OPTICS REPLACEMENT

1. Rotate release cap by turning counter clockwise.
2. Install accessories into accessory holder and replace accessory holder's retaining clip.
3. Place accessory holder and accessory flush against optic and replace release cap.

### Optics

- IP-OP4724 (24° Narrow Flood)
- IP-OP4736 (30° Flood)
- IP-OP4750 (45° Wide Flood)



JOB NAME		CATALOG NUMBER	
NOTES		TYPE	

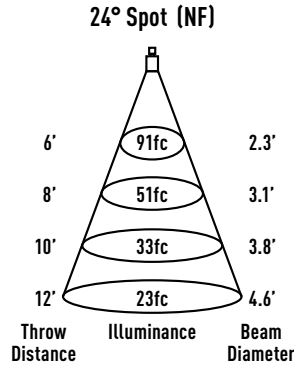
## MXTG2-RWLR302WWD1 (CR)

### REPORT #:

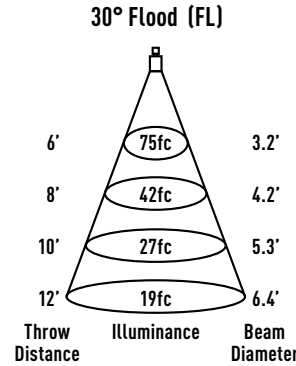
ILL20180913-15.001 (24)  
ILL20180917-6.001 (30)  
ILL20180919-6.001 (45)

### LENS MULTIPLIERS:

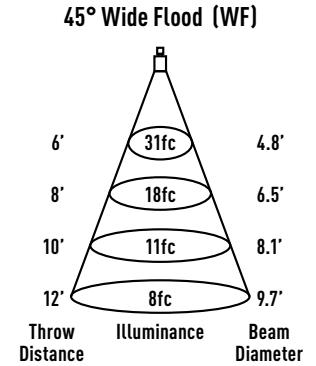
Solite (x 0.92)  
Clear (x 1.00)  
Frosted (x 0.92)



Watts: 13.5  
Lumens: 498  
LPW: 37  
CCT: 3000K



Watts: 13.5  
Lumens: 777  
LPW: 58  
CCT: 3000K



Watts: 13.5  
Lumens: 631  
LPW: 47  
CCT: 3000K

Intensity	
Degree	Candela
0°	3263
5°	2814
15°	756
25°	55
35°	7
45°	4

Intensity	
Degree	Candela
0°	2683
5°	2541
15°	1335
25°	300
35°	40
45°	7

Intensity	
Degree	Candela
0°	1125
5°	1098
15°	862
25°	418
35°	124
45°	16

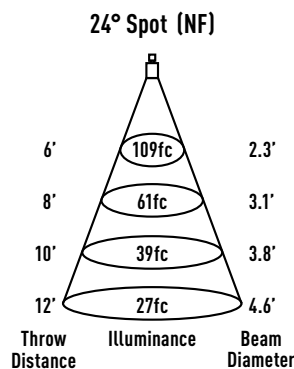
## MXTG2-RWLR302WWD2 (CR)

### REPORT #:

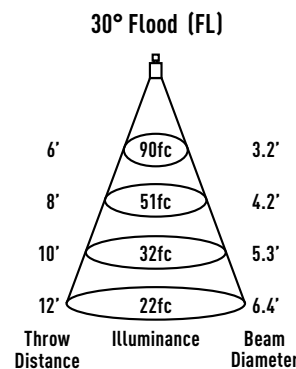
ILL20180913-15.002 (24)  
ILL20180917-6.002 (30)  
ILL20180919-6.002 (45)

### LENS MULTIPLIERS:

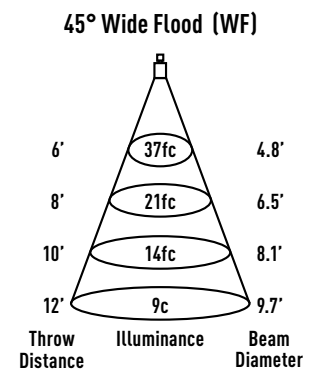
Solite (x 0.92)  
Clear (x 1.00)  
Frosted (x 0.92)



Watts: 16.4  
Lumens: 600  
LPW: 37  
CCT: 3000K



Watts: 16.4  
Lumens: 936  
LPW: 62  
CCT: 3000K



Watts: 16.4  
Lumens: 761  
LPW: 46  
CCT: 3000K

Intensity	
Degree	Candela
0°	3931
5°	3391
15°	911
25°	67
35°	8
45°	4

Intensity	
Degree	Candela
0°	3233
5°	3062
15°	1609
25°	361
35°	49
45°	9

Intensity	
Degree	Candela
0°	1355
5°	1323
15°	1039
25°	504
35°	150
45°	19