

# MXG2DRTR

## 3.5" MX G2 LED Warm Dim Downlight Wood Ceiling

<b>JOB NAME</b>		<b>CATALOG NUMBER</b>	
<b>NOTES</b>		<b>TYPE</b>	

### ELECTRICAL DATA

LED Light Engine	System Wattage *	CCT / CRI	Delivered Lumens **
WD1	13.5W	3000K-1800K / 92 CRI	800lm
WD2	16.5W	3000K-1800K / 92 CRI	1000lm

\* System Wattage includes driver and LED Module consumption.

\*\* Delivered lumens will vary depending on trim, CCT, CRI, optic and ceiling thickness

### FEATURES

- Halogen style profile that warms as it dims
- 3000K at full intensity to 1800K at lowest dim level
- Field changeable optics: 24°, 30°, 45°

### LED LIGHT ENGINE

- 3000K to 1800K programmable tuning at 92 CRI
- 50,000 hours L70 (rated life at 70% output)

### ELECTRICAL SYSTEM

- Multiple dimming drivers available
- 120V or 277V input; Power factor >.9, 50/60Hz
- This product complies with IEEE C62.41 for surge endurance up to 2.5KV. Additional surge protection recommended. Damage from power surge is not covered by warranty.

### Dimming

- Forward/reverse phase dimming 1% (120V only)
- 0-10V Dimming 1%
- EldoLED 0-10V 0.1% or 1%
- Lutron® LDE1 Hi-Lume 1% EcoSystem LED driver with Soft-on, Fade-to-Black dimming technology
- DMX512 RDM 0.1%

### HOUSING

- Heavy duty black powder coated 18 gauge steel frame
- Standard housing accommodates 5/8" ceiling thickness
- Extended collar options available for ceilings up to 1" or 2" thick, must specify either EC1 or EC2

### TRIM SPECIFICATION

- High quality A380 aluminum die-cast trims
- Discrete self flange or painted white flange options

### INSTALLATION

- Housing types include Non-IC, IC Air-Tight and CCEA (Chicago Plenum), must specify
- Non-IC rated housings must be kept at a minimum of 3" away from insulation
- Butterfly brackets are compatible with C-channel, adjustable bar hangers (14"-25") and EMT
- C-channel is recommended for T-bar ceilings
- Bar hangers must be ordered separately
- Max. ambient temperature: 95°F (35°C)

### EMERGENCY BACKUP

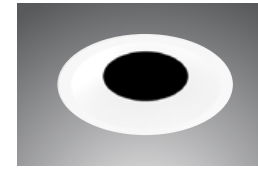
- Remote test switch included
- External battery operates LED load at a minimum of 500lm to 850lm for 90 minutes, depending on backup wattage selected
- Servicing requires above ceiling access

### ACCESSORIES

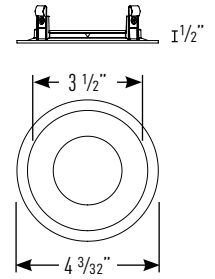
Luminaire will accommodate (2) accessories (Accessory is holder required)

### LISTING / WARRANTY

- 5-Year Intense LED Limited Warranty
- ETL listed to US and Canadian standards for damp locations
- (-IC/-CP Only) Air-Tight Certified ASTM E283
- (-IC/-CP Only) ETL listed for direct contact w/insulation
- (-CP Only) CCEA Chicago Plenum
- Can be used to comply with Title 24, Part 6, JA8 high efficacy LED light source requirements

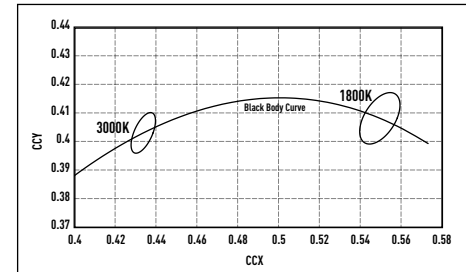
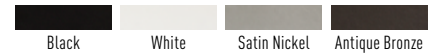


MXTG2-RWLR300  
(1/2" Regress)



Recommended 4 1/8" precision routing fitment of wood trim; using a hole saw may result in improper fitment, uneven gaps and/or light leak

### Available Trim Finishes



### Housing Part Number (Example: MXG2DRTR-NCWD1)

Housing	Installation Type	Ceiling Thickness	Wattage	Dimming	Voltage	Options
MXG2DRTR	-NC (Non-IC)	blank (5/8")	WD1 (13.5W)	DIM <sup>1</sup> (Phase Dimming)	blank (-NC: 120V Only)	I100 (C-Channel Bar Hangers)
	-IC (Air-Tight IC)	EC1 (1")	WD2 (16.5W)	D101 (0-10V Dimming 1%)	-IC/-CP: UNV 120V-277V)	I200 (Flat Bar Hangers)
	-CP (Chicago Plenum)	EC2 (2")		ED10V1 (eldoLED 0-10V 1%) ED10V01 (eldoLED 0-10V 0.1%) LUT (Lutron® LDE1 EcoSystem 1%) DMXR <sup>2</sup> (DMX512 RDM 0.1%)	27 (277V For -NC Only)	I400 (Wood Joist Bar Hangers) EM7 <sup>3</sup> (7W Emergency Backup <a href="#">IOTA Part #ILB-CP07-A</a> ) EM12 <sup>3</sup> (12W Emergency Backup <a href="#">IOTA Part #ILB-CP12-A</a> )

### Trim Part Number (Example: MXTG2-RWLR300WD1NF)

Trim	Finish	Wattage	Optic
MXTG2-RWLR300 (1/2" Regress)	W (White)	WD1 (13.5W)	NF (24° Narrow Flood)
	B (Black)	WD2 (16.5W)	FL (30° Flood)
	SN (Satin Nickel)		WF (45° Wide Flood)
	AB (Antique Bronze)		

Accessories: (2) accessories max, accessory holder required.

- LH47 (Accessory Holder, Black)
- LH47W (Accessory Holder, White)
- PFLMB-47 (Hex Louver, Black)
- PFL1-47 (Prismatic Spread Lens)
- PFL2-47 (Linear Spread Lens)
- PFL4-47 (Soft Focus Lens)

### Notes:

- Available in 120V only
- Not available with WD1
- Access above ceiling required

MX DOWNLIGHTING LJM: 20250214 P-1

INTENSE LIGHTING | 725 Landwehr Road, Northbrook, IL 60062 | tel 714 630-9877 | fax 847 559-5505

For Intense Lighting's limited product warranty, go to [www.intenselighting.com](http://www.intenselighting.com). For a printed copy of the warranty, you may call 800 961-5321.

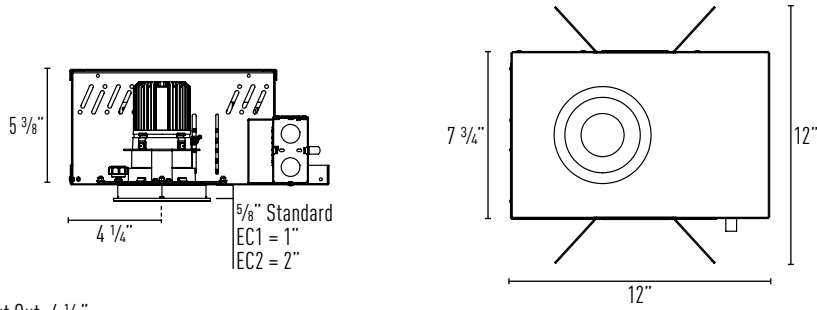
© 2025 Intense Lighting, LLC. All rights reserved. Note: This document is subject to change without notice.

# MXG2DRTR

3.5" MX G2 LED Warm Dim Downlight Wood Ceiling

JOB NAME		CATALOG NUMBER	
NOTES		TYPE	

## NON-IC & AIR TIGHT IC DIMENSIONS

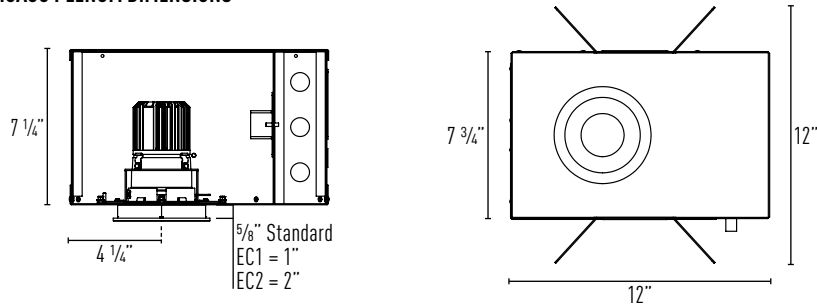


Ceiling Cut Out: 4 1/8"

### Plaster Frame Accommodation

Collar Type	Standard	EC1	EC2
Max Ceiling Thickness	Up-to 5/8"	Up-to 1"	Up-to 2"

## CCEA CHICAGO PLENUM DIMENSIONS



Ceiling Cut Out: 4 1/8"

### Plaster Frame Accommodation

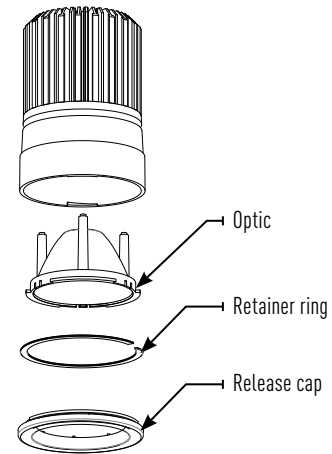
Collar Type	Standard	EC1	EC2
Max Ceiling Thickness	Up-to 5/8"	Up-to 1"	Up-to 2"

## OPTICS REPLACEMENT

1. Rotate release cap by turning counter clockwise.
2. Install accessories into accessory holder and replace accessory holder's retaining clip.
3. Place accessory holder and accessory flush against optic and replace release cap.

### Optics

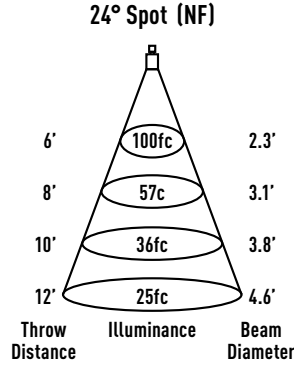
- IP-OP4724 (24° Narrow Flood)
- IP-OP4736 (30° Flood)
- IP-OP4750 (45° Wide Flood)



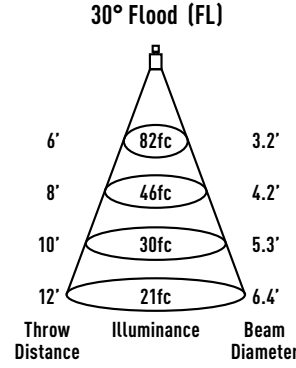
JOB NAME		CATALOG NUMBER	
NOTES		TYPE	

## MXTG2-RWLR300WWD1

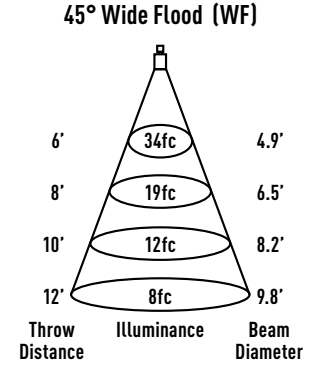
REPORT #:  
 ILL20180913-14.001 (24)  
 ILL20180917-5.001 (30)  
 ILL20180919-5.001 (45)



Watts: 13.5  
 Lumens: 536  
 LPW: 40  
 CCT: 3000K



Watts: 13.5  
 Lumens: 839  
 LPW: 62  
 CCT: 3000K



Watts: 13.5  
 Lumens: 700  
 LPW: 52  
 CCT: 3000K

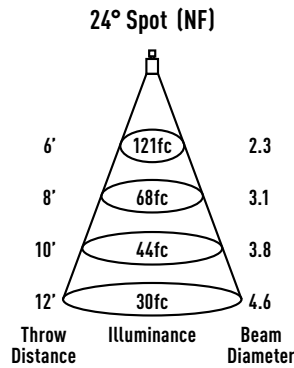
Intensity	
Degree	Candela
0°	3623
5°	3123
15°	807
25°	56
35°	6
45°	3

Intensity	
Degree	Candela
0°	2954
5°	2802
15°	1451
25°	314
35°	40
45°	7

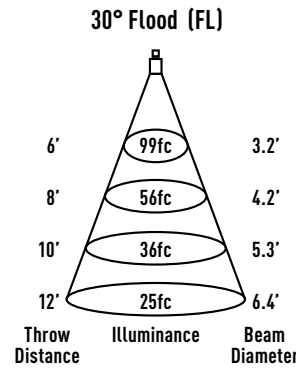
Intensity	
Degree	Candela
0°	1229
5°	1201
15°	951
25°	471
35°	141
45°	17

## MXTG2-RWLR300WWD2

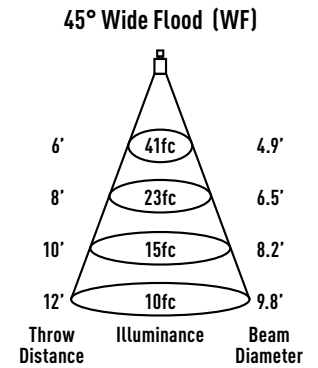
REPORT #:  
 ILL20180913-14.002 (24)  
 ILL20180917-5.002 (30)  
 ILL20180919-5.002 (45)



Watts: 16.4  
 Lumens: 646  
 LPW: 39  
 CCT: 3000K



Watts: 16.4  
 Lumens: 1010  
 LPW: 62  
 CCT: 3000K



Watts: 16.4  
 Lumens: 843  
 LPW: 51  
 CCT: 3000K

Intensity	
Degree	Candela
0°	4366
5°	3762
15°	972
25°	68
35°	7
45°	4

Intensity	
Degree	Candela
0°	3559
5°	3376
15°	1749
25°	379
35°	49
45°	8

Intensity	
Degree	Candela
0°	1481
5°	1446
15°	1146
25°	567
35°	170
45°	20