

# MXRG2ASTR

3.5" MX G2 Warm Dim LED Square Lensed Adjustable  
with Remodel Housing - Wet Location

|          |  |                |  |
|----------|--|----------------|--|
| JOB NAME |  | CATALOG NUMBER |  |
| NOTES    |  | TYPE           |  |

## ELECTRICAL DATA

| LED Light Engine | System | CCT / CRI            | Delivered Lumens ** |
|------------------|--------|----------------------|---------------------|
| WD1              | 13.5W  | 3000K-1800K / 92 CRI | 700lm               |
| WD2              | 16.5W  | 3000K-1800K / 92 CRI | 850lm               |

\* System Wattage includes driver and LED Module consumption.

\*\* Delivered lumens will vary depending on trim, CCT, CRI, optic and ceiling thickness

## FEATURES

- Halogen style profile that warms as it dims
- 3000K at full intensity to 1800K at lowest dim level
- Multiple architectural trim options available
- Field changeable optics: 24°, 30°, 45°

## LED LIGHT ENGINE

- 3000K to 1800K programmable tuning at 92 CRI
- 50,000 hours L70 (rated life at 70% output)

## ELECTRICAL SYSTEM

- (Non-IC) 120V or 277V input; Power factor >.9 50/60Hz
- This product complies with IEEE C62.41 for surge endurance up to 2.5KV. Additional surge protection recommended. Damage from power surge is not covered by warranty.

## DIMMING

- 0-10V Dimming 1%
- Phase dimming, forward 1% & reversed 5% (120V only)
- EtdoLED 0-10V 0.1% or 1%
- Lutron® LDE1 Hi-Lume 1% EcoSystem LED driver with Soft-on, Fade-to-Black dimming technology
- DMX512 RDM 0.1%

## HOUSING

High quality die-casted collar with high strength stainless steel swing out lugs. Driver swivels 90° to accommodate tight spaces.

## TRIM SPECIFICATION

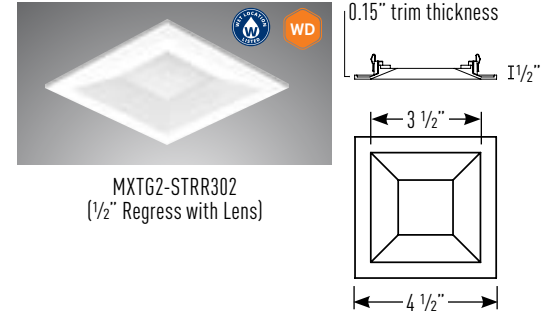
Aiming with locking 35° vertical and 90° turns (90, 180, 270 and 360). High quality trims are die-cast using A380 aluminum with durable powder coat available in multiple finishes. Architectural, discrete self flange or painted white flange options available. Trim is available with solite, clear tempered or frosted lens, must specify.

## INSTALLATION

Housing installs from below the ceiling. Swing out lugs allow for installation in ceilings between 5/16" and 3/4". Max. ambient temperature: 95°F (35°C). Housing is Non-IC rated, must be kept at a minimum of 3" away from insulation.

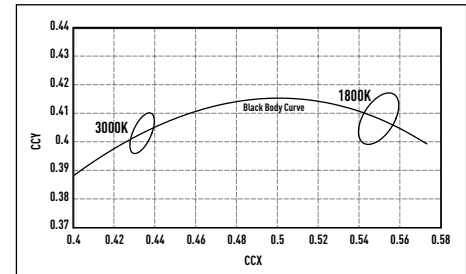
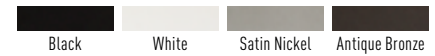
## LISTING / WARRANTY

- 5-Year Intense LED Limited Warranty
- ETL listed to US and Canadian standards for wet locations



MXTG2-STRR302  
(1/2" Regress with Lens)

## Available Trim Finishes



## Housing Part Number (Example: MXRG2ASTR-NCWD1-DIM)

| Housing   | Installation Type | Wattage           | Dimming          | Voltage           |
|-----------|-------------------|-------------------|------------------|-------------------|
| MXRG2ASTR | -NC (Non-IC)      | WD1 (13.5W)       | DIM <sup>1</sup> | blank (120V Only) |
|           |                   |                   | D101             | 27 (277V Only)    |
|           |                   | WD2 (16.5W)       | ED10V1           |                   |
|           |                   |                   | ED10V01          |                   |
|           |                   | LUT               |                  |                   |
|           |                   | DMXR <sup>2</sup> |                  |                   |

## Trim Part Number (Example: MXTG2-STRR302W-SFWD1NF-SL)

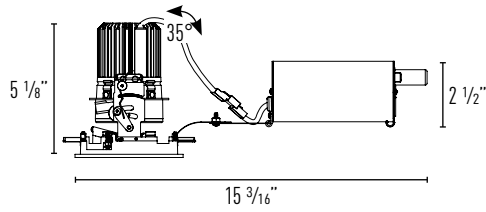
| Trim                            | Finish              | Wattage     | Optic                 | Lens                 |
|---------------------------------|---------------------|-------------|-----------------------|----------------------|
| MXTG2-STRR302<br>(1/2" Regress) | W (White)           | WD1 (13.5W) | NF (24° Narrow Flood) | -SL (Solite)         |
|                                 | B (Black)           | WD2 (16.5W) | FL (30° Flood)        | -CR (Clear Tempered) |
|                                 | SN (Satin Nickel)   |             | WF (45° Wide Flood)   | -FR (Frosted)        |
|                                 | AB (Antique Bronze) |             |                       |                      |

Notes:  
1. Available in 120V only  
2. Not available with WD1

# MXRG2ASTR

3.5" MX G2 Warm Dim LED Square Lensed Adjustable  
with Remodel Housing - Wet Location

**DRIVER:** Non-Dimming / DELV / D10



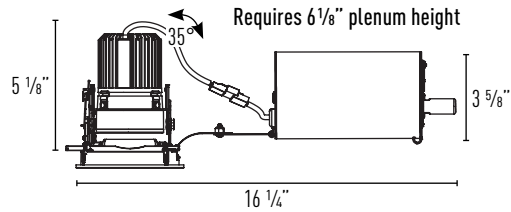
Ceiling Cut Out: 4 1/8"  
Minimum Ceiling Thickness: 5/16"  
Maximum Ceiling Thickness: 3/4"

|                 |  |                       |  |
|-----------------|--|-----------------------|--|
| <b>JOB NAME</b> |  | <b>CATALOG NUMBER</b> |  |
| <b>NOTES</b>    |  | <b>TYPE</b>           |  |

### Fixture Aiming - Horizontal Adjustment

|                           |           |           |           |
|---------------------------|-----------|-----------|-----------|
| <b>1" Regress Trims</b>   | 90° turns | 90° turns | Full 360° |
| <b>1/2" Regress Trims</b> | Full 360° | Full 360° | Full 360° |

**DRIVER:** eldoLED / Lutron / DMX



Ceiling Cut Out: 4 1/8"  
Minimum Ceiling Thickness: 5/16"  
Maximum Ceiling Thickness: 3/4"

### Fixture Aiming - Horizontal Adjustment

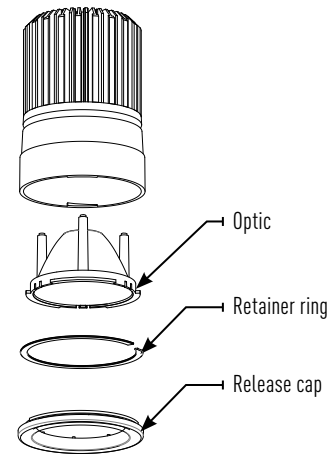
|                           |           |           |           |
|---------------------------|-----------|-----------|-----------|
| <b>1" Regress Trims</b>   | 90° turns | 90° turns | Full 360° |
| <b>1/2" Regress Trims</b> | Full 360° | Full 360° | Full 360° |

## OPTICS REPLACEMENT

1. Rotate release cap by turning counter clockwise.
2. Install accessories into accessory holder and replace accessory holder's retaining clip.
3. Place accessory holder and accessory flush against optic and replace release cap.

### Optics

- IP-OP4724 (24° Narrow Flood)
- IP-OP4736 (30° Flood)
- IP-OP4750 (45° Wide Flood)



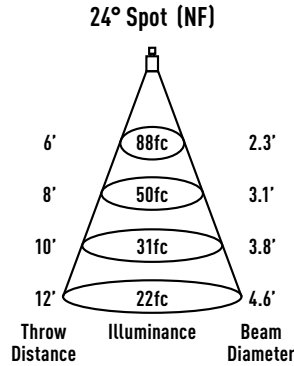
|          |  |                |  |
|----------|--|----------------|--|
| JOB NAME |  | CATALOG NUMBER |  |
| NOTES    |  | TYPE           |  |

## MXTG2-STRR302WWD1-CR

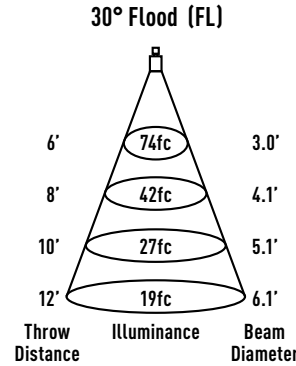
**REPORT #:**  
 ILL20181001-14.001 (24)  
 ILL20181001-22.001 (30)  
 ILL20181001-30.001 (45)

**TRIM MULTIPLIERS:**  
 MXTG2-STRR302 (x 1.00)

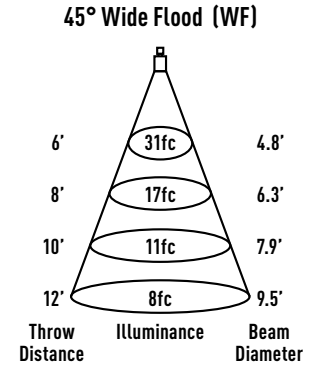
**LENS MULTIPLIERS:**  
 Solite (x 0.92)  
 Clear (x 1.00)  
 Frosted (x 0.92)



Watts: 13.5  
 Lumens: 507  
 LPW: 38  
 CCT: 3000K



Watts: 13.5  
 Lumens: 737  
 LPW: 55  
 CCT: 3000K



Watts: 13.5  
 Lumens: 630  
 LPW: 47  
 CCT: 3000K

| Intensity |         |
|-----------|---------|
| Degree    | Candela |
| 0°        | 3171    |
| 5°        | 2753    |
| 15°       | 670     |
| 25°       | 49      |
| 35°       | 7       |
| 45°       | 4       |

| Intensity |         |
|-----------|---------|
| Degree    | Candela |
| 0°        | 2658    |
| 5°        | 2506    |
| 15°       | 1224    |
| 25°       | 266     |
| 35°       | 35      |
| 45°       | 5       |

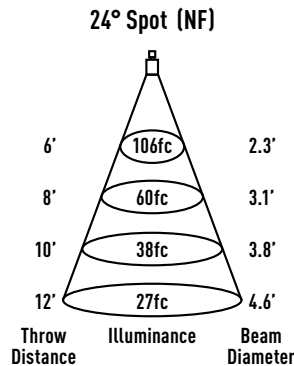
| Intensity |         |
|-----------|---------|
| Degree    | Candela |
| 0°        | 1106    |
| 5°        | 1081    |
| 15°       | 854     |
| 25°       | 406     |
| 35°       | 121     |
| 45°       | 13      |

## MXTG2-STRR302WWD2-CR

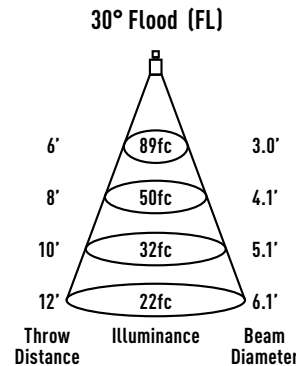
**REPORT #:**  
 ILL20181001-14.002 (24)  
 ILL20181001-22.002 (30)  
 ILL20181001-30.002 (45)

**TRIM MULTIPLIERS:**  
 MXTG2-STRR302 (x 1.00)

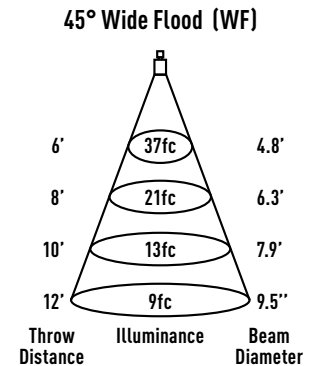
**LENS MULTIPLIERS:**  
 Solite (x 0.92)  
 Clear (x 1.00)  
 Frosted (x 0.92)



Watts: 16.4  
 Lumens: 611  
 LPW: 37  
 CCT: 3000K



Watts: 16.4  
 Lumens: 888  
 LPW: 54  
 CCT: 3000K



Watts: 16.4  
 Lumens: 760  
 LPW: 46  
 CCT: 3000K

| Intensity |         |
|-----------|---------|
| Degree    | Candela |
| 0°        | 3821    |
| 5°        | 3316    |
| 15°       | 807     |
| 25°       | 59      |
| 35°       | 8       |
| 45°       | 4       |

| Intensity |         |
|-----------|---------|
| Degree    | Candela |
| 0°        | 3202    |
| 5°        | 3019    |
| 15°       | 1475    |
| 25°       | 321     |
| 35°       | 43      |
| 45°       | 6       |

| Intensity |         |
|-----------|---------|
| Degree    | Candela |
| 0°        | 1332    |
| 5°        | 1302    |
| 15°       | 1029    |
| 25°       | 489     |
| 35°       | 145     |
| 45°       | 16      |