

# MXRG2WSTR

## 3.5" MX G2 Warm Dim LED Square Wall Wash with Remodel Housing

<b>JOB NAME</b>		<b>CATALOG NUMBER</b>	
<b>NOTES</b>		<b>TYPE</b>	

### ELECTRICAL DATA

LED Light Engine	System	CCT / CRI	Delivered Lumens **
WD1	13.5W	3000K-1800K / 92 CRI	500lm
WD2	16.5W	3000K-1800K / 92 CRI	650lm

\* System Wattage includes driver and LED Module consumption.

\*\* Delivered lumens will vary depending on trim, CCT, CRI, optic and ceiling thickness

### FEATURES

- Halogen style profile that warms as it dims
- 3000K at full intensity to 1800K at lowest dim level
- Uniform vertical and horizontal distribution

### LED LIGHT ENGINE

- 3000K to 1800K programmable tuning at 92 CRI
- 50,000 hours L70 (rated life at 70% output)

### ELECTRICAL SYSTEM

- 120V or 277V input; Power factor >.9, 50/60Hz
- This product complies with IEEE C62.41 for surge endurance up to 2.5KV. Additional surge protection recommended. Damage from power surge is not covered by warranty.

### ELECTRICAL SYSTEM

- (Non-IC) 120V or 277V input; Power factor >.9 50/60Hz
- This product complies with IEEE C62.41 for surge endurance up to 2.5KV. Additional surge protection recommended. Damage from power surge is not covered by warranty.

### DIMMING

- 0-10V Dimming 1%
- Phase dimming, forward 1% & reversed 5% (120V only)
- EldoLED 0-10V 0.1% or 1%
- Lutron® LDE1 Hi-Lume 1% EcoSystem LED driver with Soft-on, Fade-to-Black dimming technology
- DMX512 RDM 0.1%

### HOUSING

High quality die-casted collar with high strength stainless steel swing out lugs. Driver swivels 90° to accommodate tight spaces.

### TRIM SPECIFICATION

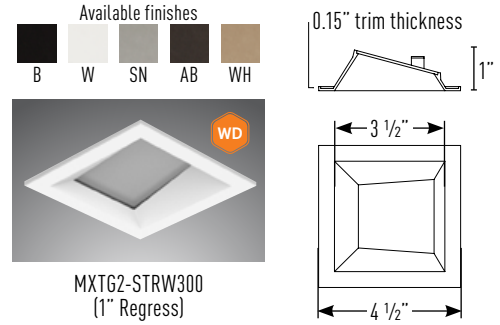
High performance wall wash with asymmetric distribution provides uniform vertical illumination (see spacing criteria on next pages). Durably constructed with die-cast A380 aluminum and powder coat finish.

### INSTALLATION

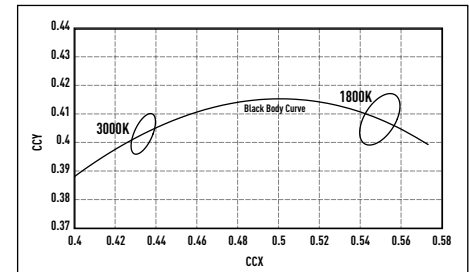
Frame-in installs from below the ceiling. Swing out lugs allow for installation in ceilings between 5/16" and 3/8". Max. ambient temperature: 95°F (35°C). Housing is Non-IC rated, must be kept at a minimum of 3" away from insulation.

### LISTING / WARRANTY

- 5-Year Intense LED Limited Warranty
- ETL listed to US and Canadian standards for damp locations



### Available Trim Finishes



### Housing Part Number (Example: MXRG2WSTR-NCWD1)

Housing	LED Module	Wattage	Dimming	Voltage
MXRG2WSTR	-NC (Non-IC)	WD1 (13.5W)	DIM <sup>1</sup> (Phase Dimming)	blank (120V Only)
		WD2 (16.5W)	D101 (0-10V Dimming 1%)	27 (277V Only)
		ED10V1 (eldoLED 0-10V 1%)		
		ED10V01 (eldoLED 0-10V 0.1%)		
		LUT (Lutron® LDE1 EcoSystem 1%)		
		DMXR <sup>2</sup> (DMX512 RDM 0.1%)		

### Trim Part Number (Example: MXTG2-STRW300W-SFWD130)

Trim	Finish	Wattage
MXTG2-STRW300 (1" Regress)	W-SF (White / Self Flanged)	WD1 (13.5W)
	B-SF (Black / Self Flanged)	WD2 (16.5W)
	SN-SF (Satin Nickel / Self Flanged)	
	SN-SFW <sup>3</sup> (Satin Nickel / Self Flanged White)	
	AB-SF (Antique Bronze / Self Flanged)	
	AB-SFW <sup>3</sup> (Antique Bronze / Self Flanged White)	

### Notes:

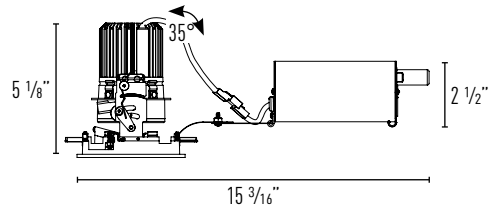
- Available in 120V only
- Not available with WD1
- Consult factory for lead times

# MXRG2WSTR

3.5" MX G2 Warm Dim LED Square Wall Wash with Remodel Housing

JOB NAME	CATALOG NUMBER
NOTES	TYPE

**DRIVER:** Non-Dimming / DELV / D10

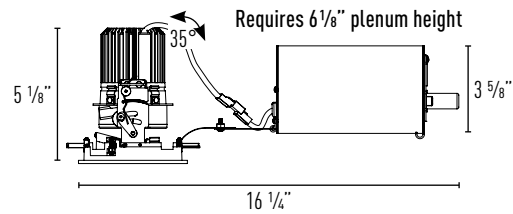


Ceiling Cut Out: 4 1/8"

Minimum Ceiling Thickness: 5/16"

Maximum Ceiling Thickness: 3/4"

**DRIVER:** eldoLED / Lutron / DMX



Ceiling Cut Out: 4 1/8"

Minimum Ceiling Thickness: 5/16"

Maximum Ceiling Thickness: 3/4"