

MXG2WSTR

3.5" MX G2 TunableWhite Square Wall Wash

JOB NAME		CATALOG NUMBER	
NOTES		TYPE	

ELECTRICAL DATA

LED Light Engine	System Wattage *	CCT / CRI	Delivered Lumens **	Lumens Per Watt
TW05	8W	3500K / 92 CRI	500lm	62.5 lm/W
TW0	11W	3500K / 92 CRI	750lm	68.2 lm/W
TW1	17W	3500K / 92 CRI	1000lm	58.8 lm/W

System Wattage includes driver and LED Module consumption. | **Delivered lumens will vary depending on trim, CCT, CRI, optic and ceiling thickness

LED LIGHT ENGINE

- Tuning range from 2700K-6500K at a minimum of 92 CRI
- 3 SDCM binning throughout the tunable CCT range
- Wattage: 8W to 17W
- Rated life of >50,000 hours L70 based on LED testing per LM-80-08 and projected values using IESNA TM21-11

ELECTRICAL SYSTEM

- 120V or 277V input; Power factor >.9, 50/60Hz
- This product complies with IEEE C62.41 for surge endurance up to 2.5KV
- Additional surge protection recommended, damage from power surge is not covered by warranty

DIMMING

- eldoLED Dual Drive 2CH 0-10V 0.1% (Remote Only)
- Lutron T-Series 1% 2CH tunable white driver (Remote Only)
- DMX512 RDM 8-bit 0.1% (Remote Only)
- eldoLED Dual Drive DALI (DT6/DT8) 0.1%

HOUSING

- Heavy duty black powder coated 18 gauge steel frame
- Standard housing accommodates 5/8" ceiling thickness
- Extended collar options available for ceilings up to 1" or 2" thick, must specify either EC1 or EC2 (EC1/EC2 Not available with Chicago Plenum)

TRIM SPECIFICATION

Aiming with locking 35° vertical and 360° horizontal adjustment. High quality trims are die-cast using A380 aluminum with durable powder coat available in multiple finishes. Architectural, discrete self flange or painted white flange options available. Trims available in 1" regress for greater visual comfort or 1/2" regress for consistent look throughout space.

INSTALLATION

Housing types include IC Air-Tight, CCEA (Chicago Plenum), or Non-IC Rated (must specify). Non-IC rated housings must be kept at a minimum of 3" away from insulation. Butterfly brackets are compatible with C-channel, adjustable bar hangers (14"-25") and EMT. C-channel is recommended for T-bar ceilings. Bar hangers must be ordered separately. Maximum ambient temperature: 95°F (35°C)

REMOTE BOX

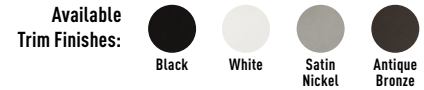
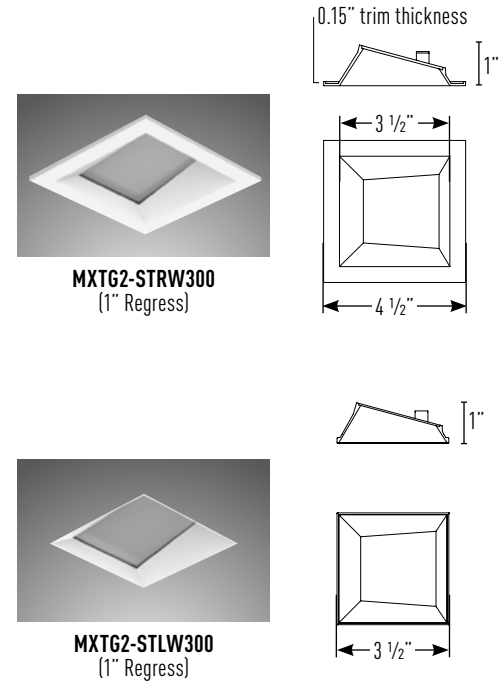
- Remote box included when required by specification
- Galvanized steel construction
- Separate line voltage and low voltage wiring compartments
- 50ft remote distance maximum

ACCESSORIES

Luminaire will accommodate (2) accessories, accessory holder required.

LISTING / WARRANTY

- 5-Year Intense LED Limited Warranty
- ETL listed to US and Canadian standards for damp locations
- (-IC Only) Air-Tight Certified ASTM E283
- (-IC Only) ETL listed for direct contact w/insulation



Housing Part Number (Example: MXG2WSTR-ICTW05-ED10V01)

Housing Type	Ceiling Thickness	Wattage	Dimming	Voltage
MXG2WSTR-NC (Non-IC)	blank (5/8")	TW05 (8W)	-ED10V01¹ (eldoLED Dual Drive 2CH 0-10V 0.1%) -LUTT¹ (Lutron® T Series 1%)	blank (Non-IC: 120V; -IC/-CP: 120V/277V)
	EC1 (1")	TW0 (11W)		
MXG2WSTR-IC (Air-Tight IC)	EC2 (2")	TW1 (17W)	-DMXR¹ (DMX512 RDM 8-bit 0.1%) -DALI6² (eldoLED Dual Drive DALI DT6 0.1%) -DALI8² (eldoLED Dual Drive DALI DT8 0.1%)	27 (277V Non-IC Only; For -IC/-CP housing options use blank)

Bar Hangers

1100	(C-Channel Bar Hangers)
1200	(Flat Bar Hangers)
1400	(Wood Joist Bar Hangers)

Mud Ring

MXS-MR³ (Square Trimless Mud Ring)

Trim Part Number (Example: MXTG2-STRW300W-SFTW)

Trim	Trim Finish	Trim Type	CCT Range
MXTG2-STRW300 (1/2" Regress with Lens)	W (White)	-SF (Self Flanged) -SFW⁴ (Self Flanged White)	TW (2700K-6500K)
	B⁴ (Black)		
MXTG2-STLW300¹ (1/2" Regress Trimless with Lens)	SN⁴ (Satin Nickel)	blank ³ (Trimless, for use with mud ring only)	
	AB⁴ (Antique Bronze)		

Notes:

1. AIC only, Remote Box Required
2. Not Available with AIC or CP in TW1
3. Trimless options are for use with mud ring accessory only
4. Consult factory for lead times. B-SFW is not available.

MX WALL WASH L/M-021425 P-5

INTENSE LIGHTING | 725 Landwehr Road, Northbrook, IL 60062 | tel 714 630-9877 | fax 847 559-5505

For Intense Lighting's limited product warranty, go to www.intenselighting.com. For a printed copy of the warranty, you may call 800 961-5321.

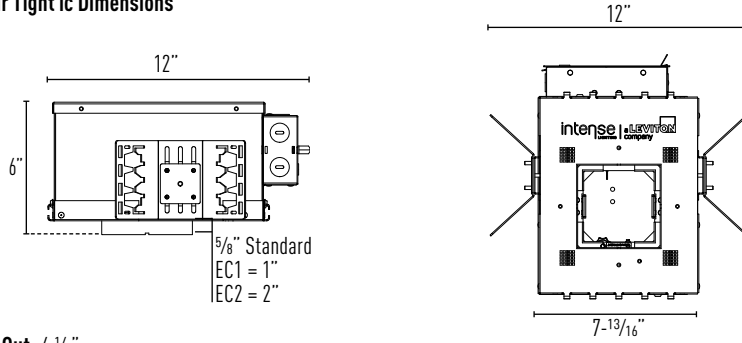
© 2025 Intense Lighting, LLC. All rights reserved. Note: This document is subject to change without notice.

MXG2WSTR

3.5" MX G2 TunableWhite Square Wall Wash

JOB NAME		CATALOG NUMBER	
NOTES		TYPE	

Non-IC & Air Tight ic Dimensions

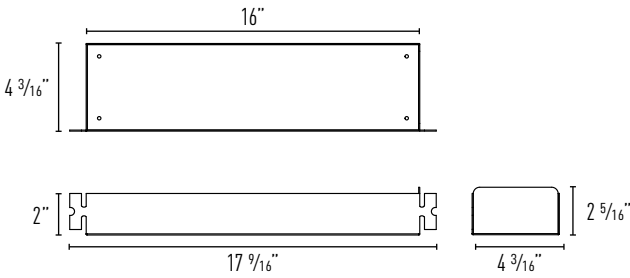


Plaster Frame Accommodation

Collar Type	Standard	EC1	EC2
Max Ceiling Thickness	Up-to 5/8"	Up-to 1"	Up-to 2"

Ceiling Cut Out: 4 1/8"

REMOTE MOUNTED DRIVER OPTIONS



Remote Driver Box For

- eldoLED Dual Drive 2CH 0-10V 0.1%
- Lutron T-Series 1% 2CH tunable white driver
- DMX512 RDM 8-bit 0.1%

Note: Wires for class 2 LED driver require a minimum of 18 AWG wire at a maximum of 50 feet length per local and national electrical regulations.

System Wattage			
Lumen Package	CCT	120V	277V
TW05 (500lm)	2700K	8W	10W
	3500K	8W	9W
	6000K	7W	8W
TW0 (750lm)	2700K	13W	14W
	3500K	11W	12W
	6000K	10W	12W
TW1 (1000lm)	2700K	21W	22W
	3500K	17W	18W
	6000K	16W	17W

MX

3.5" MX G2 LED Wall Wash Photometrics

JOB NAME		CATALOG NUMBER	
NOTES		TYPE	

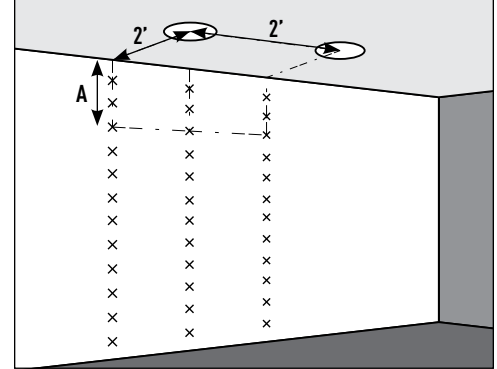
MXTG2-STRW300WLO

Report #: ILL-02242016-04
 Reflector Finish: White
 Luminaire Watts: 10W
 Luminaire Lumens: 536lm
 Lumens Per Watt: 54
 Color Temperature: 3000K
 Color Rendering Index: 82

EMERGENCY MULTIPLIER:
 7W Emergency (x 0.70)

(A) Distance From Ceiling	2' From Wall On 2' Centers	3' From Wall On 2' Centers	3' From Wall On 3' Centers
	□ 2' □	□ 2' □	□ 3' □
1'	9 10 9	3 3 3	2 3 2
2'	14 15 14	6 6 6	5 5 5
3'	19 21 19	8 8 8	6 7 6
4'	18 20 18	10 11 10	8 9 8
5'	14 16 14	10 11 10	9 10 9
6'	10 11 10	10 10 10	8 9 8
7'	7 8 7	8 9 8	7 8 7
8'	5 6 5	7 7 7	6 6 6
9'	4 4 4	5 6 5	5 5 5
10'	3 3 3	4 4 4	4 4 4
11'	2 2 2	3 3 3	3 3 3
12'	2 2 2	3 3 3	2 3 2

Example: Two luminaires located 2' from wall and spaced 2' on center, the illumination on the wall 3' down from ceiling will be 19fc beneath units and 21fc between units



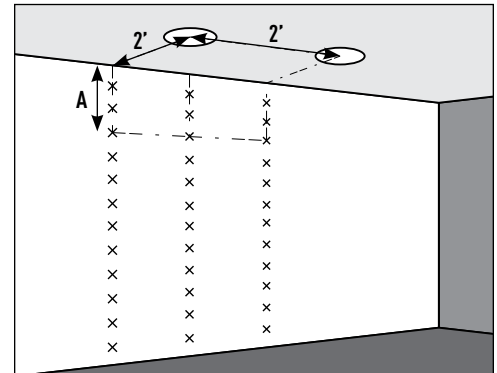
MXTG2-STRW300WL1

Report #: ILL-02242016-03
 Reflector Finish: White
 Luminaire Watts: 15.5W
 Luminaire Lumens: 746lm
 Lumens Per Watt: 48
 Color Temperature: 3000K
 Color Rendering Index: 82

EMERGENCY MULTIPLIER:
 7W Emergency (x 0.50)
 12W Emergency (x 0.85)

(A) Distance From Ceiling	2' From Wall On 2' Centers	3' From Wall On 2' Centers	3' From Wall On 3' Centers
	□ 2' □	□ 2' □	□ 3' □
1'	12 13 12	4 5 4	3 4 3
2'	20 21 20	8 9 8	7 7 7
3'	26 29 26	10 12 10	9 9 9
4'	25 28 25	13 15 13	11 12 11
5'	20 22 20	14 16 14	12 13 12
6'	15 16 15	13 15 13	11 12 11
7'	10 11 10	11 12 11	10 11 10
8'	7 8 7	9 10 9	8 9 8
9'	5 6 5	7 8 7	6 7 6
10'	4 4 4	6 6 6	5 6 5
11'	3 3 3	5 5 5	4 4 4
12'	2 2 2	4 4 4	3 4 3

Example: Two luminaires located 2' from wall and spaced 2' on center, the illumination on the wall 3' down from ceiling will be 26fc beneath units and 29fc between units



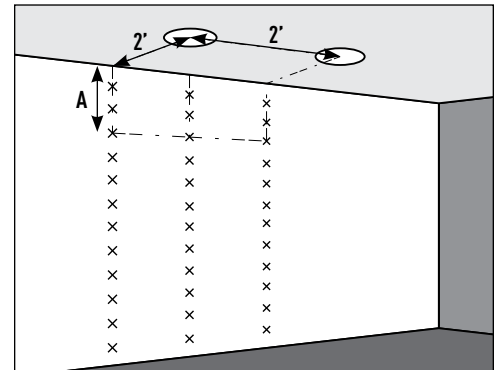
MXTG2-STRW300WL2

Report #: ILL-02242016-02
 Reflector Finish: White
 Luminaire Watts: 20.5W
 Luminaire Lumens: 895lm
 Lumens Per Watt: 44
 Color Temperature: 3000K
 Color Rendering Index: 82

EMERGENCY MULTIPLIER:
 7W Emergency (x 0.40)
 12W Emergency (x 0.68)

(A) Distance From Ceiling	2' From Wall On 2' Centers	3' From Wall On 2' Centers	3' From Wall On 3' Centers
	□ 2' □	□ 2' □	□ 3' □
1'	14 16 14	5 5 5	4 4 4
2'	24 26 24	9 10 9	8 9 8
3'	32 35 32	13 14 13	11 11 11
4'	31 34 31	16 18 16	13 15 13
5'	24 26 24	17 19 17	15 16 15
6'	17 19 17	16 18 16	14 15 14
7'	12 13 12	14 15 14	12 13 12
8'	9 10 9	11 12 11	10 11 10
9'	7 7 7	9 9 9	8 8 8
10'	5 5 5	7 7 7	6 7 6
11'	4 4 4	6 6 6	5 5 5
12'	3 3 3	4 5 4	4 4 4

Example: Two luminaires located 2' from wall and spaced 2' on center, the illumination on the wall 3' down from ceiling will be 32fc beneath units and 35fc between units



Multipliers: 2700K / 82 CRI (x 0.93); 2700K / 92 CRI (x 0.76); 3000K / 82 CRI (x 1.00); 3000K / 92 CRI (x 0.87); 3500K / 82 CRI (x 1.00); 4100K / 82 CRI (x 1.00)

MX

3.5" MX G2 LED Wall Wash Photometrics

JOB NAME		CATALOG NUMBER	
NOTES		TYPE	

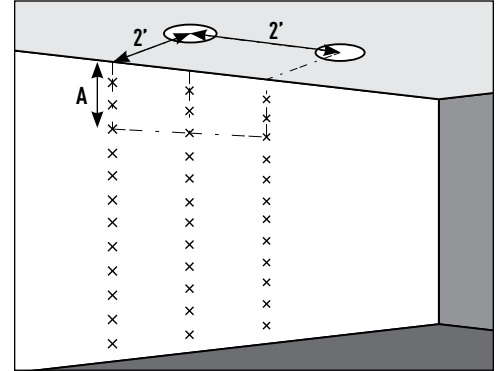
MXTG2-STRW300WL3

Report #: ILL-02242016-01
 Reflector Finish: White
 Luminaire Watts: 26.5W
 Luminaire Lumens: 1025lm
 Lumens Per Watt: 39
 Color Temperature: 3000K
 Color Rendering Index: 82

EMERGENCY MULTIPLIER:
 7W Emergency (x 0.35)
 12W Emergency (x 0.59)

(A) Distance From Ceiling	2' From Wall On 2' Centers	3' From Wall On 2' Centers	3' From Wall On 3' Centers
	□ 2' □	□ 2' □	□ 3' □
1'	16 18 16	5 6 5	4 5 4
2'	27 29 27	11 12 11	9 10 9
3'	37 40 37	14 16 14	12 13 12
4'	35 39 35	18 21 18	15 17 15
5'	28 30 28	20 22 20	17 18 17
6'	20 22 20	18 20 18	16 17 16
7'	14 15 14	16 17 16	13 15 13
8'	10 11 10	13 14 13	11 12 11
9'	7 8 7	10 11 10	9 10 9
10'	6 6 6	8 8 8	7 8 7
11'	4 4 4	6 7 6	6 6 6
12'	3 3 3	5 5 5	5 5 5

Example: Two luminaires located 2' from wall and spaced 2' on center, the illumination on the wall 3' down from ceiling will be 37fc beneath units and 40fc between units



Multipliers: 2700K / 82 CRI (x 0.93); 2700K / 92 CRI (x 0.76); 3000K / 82 CRI (x 1.00); 3000K / 92 CRI (x 0.87); 3500K / 82 CRI (x 1.00); 4100K / 82 CRI (x 1.00)