

# MXG2WSTR

## 3.5" MX G2 LED Warm Dim Square Wall Wash

### ELECTRICAL DATA

LED Light Engine	System Wattage *	CCT / CRI	Delivered Lumens **
WD1	13.5W	3000K-1800K / 92 CRI	500lm
WD2	16.5W	3000K-1800K / 92 CRI	650lm

\* System Wattage include driver and LED Module consumption.

\*\* Delivered lumens will vary depending on CCT, CRI and ceiling thickness

### FEATURES

- Halogen style profile that warms as it dims
- 3000K at full intensity to 1800K at lowest dim level
- Uniform vertical and horizontal distribution

### LED LIGHT ENGINE

- 3000K to 1800K programmable tuning at 92 CRI
- 50,000 hours L70 (rated life at 70% output)

### ELECTRICAL SYSTEM

- Multiple dimming drivers available
- 120V or 277V input; Power factor >.9, 50/60Hz
- This product complies with IEEE C62.41 for surge endurance up to 2.5KV. Additional surge protection recommended. Damage from power surge is not covered by warranty.

### DIMMING

- Forward/reverse phase dimming 1% (120V only)
- 0-10V Dimming 1%
- EldoLED 0-10V 0.1% or 1%
- Lutron® LDE1 Hi-Lume 1% EcoSystem LED driver with Soft-on, Fade-to-Black dimming technology
- DMX512 RDM 0.1%

### HOUSING

- Heavy duty black powder coated 18 gauge steel frame
- Standard housing accommodates 5/8" ceiling thickness
- Extended collar options available for ceilings up to 1" or 2" thick, must specify either EC1 or EC2
- Perforated mesh frame provided, adheres to joint compound for seamless and trimless mounting.

### TRIM SPECIFICATION

- High performance wall wash with asymmetric distribution

- provides uniform vertical illumination
- High quality A380 aluminum die-cast trims
- Discrete self flange or painted white flange options

### INSTALLATION

- Housing types include Non-IC and IC Air-Tight, must specify
- Non-IC rated housings must be kept at a minimum of 3" away from insulation
- Butterfly brackets are compatible with C-channel, adjustable bar hangers (14"-25") and EMT
- C-channel is recommended for T-bar ceilings
- Bar hangers must be ordered separately
- Max. ambient temperature: 95°F (35°C)

### EMERGENCY BACKUP

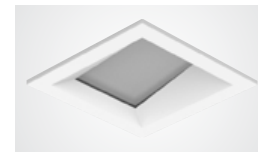
- Remote test switch included
- External battery operates LED load at a minimum of 350lm to 600lm for 90 minutes, depending on backup wattage selected
- Servicing requires above ceiling access

### LISTING / WARRANTY

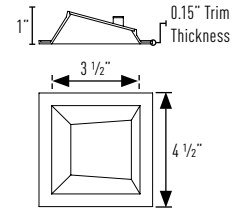
- 5-Year Intense LED Limited Warranty
- ETL listed to US and Canadian standards for damp locations
- (-IC Only) Air-Tight Certified ASTM E283
- (-IC Only) ETL listed for direct contact w/insulation



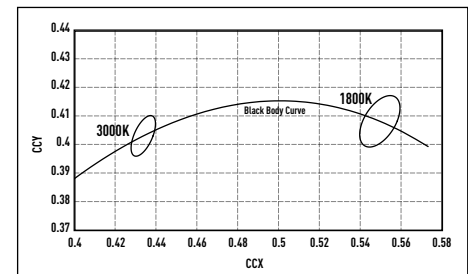
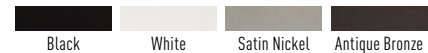
JOB NAME	CATALOG NUMBER
NOTES	TYPE



**MXG2-STRW300**  
(1" Regress)



### Available Trim Finishes



### Housing Part Number (Example: MXG2WSTR-ICWD1DIM)

Housing	Installation Type	Ceiling Thickness	Wattage	Dimming	Voltage	Options
MXG2WSTR	-NC (Non-IC)	blank (5/8")	WD1 (13.5W)	DIM <sup>1</sup> (Phase Dimming)	blank (-NC: 120V Only)	1100 (C-Channel Bar Hangers)
	-IC (Air-Tight IC)	EC1 (1") EC2 (2")	WD2 (16.5W)	D101 (0-10V Dimming 1%) ED10V1 (eldoLED 0-10V 1%) ED10V01 (eldoLED 0-10V 0.1%) LUT (Lutron® LDE1 EcoSystem 1%) DMXR <sup>2</sup> (DMX512 RDM 0.1%)	-IC: UNV 120V-277V) 27 (277V For -NC Only)	1200 (Flat Bar Hangers) 1400 (Wood Joist Bar Hangers) EM7 <sup>3</sup> (7W Emergency Backup IOTA Part #ILB-CP07-A) EM12 <sup>3</sup> (12W Emergency Backup IOTA Part #ILB-CP12-A)

### Trim Part Number (Example: MXTG2-STRW300W-SFWD1)

Trim	Finish	Wattage
MXTG2-STRW300 (1" Regress)	W-SF (White / Self Flanged)	WD1 (13.5W)
	B-SF (Black / Self Flanged)	WD2 (16.5W)
	SN-SF (Satin Nickel / Self Flanged)	
	SN-SFW <sup>4</sup> (Satin Nickel / Self Flanged White)	
	AB-SF (Antique Bronze / Self Flanged)	
	AB-SFW <sup>4</sup> (Antique Bronze / Self Flanged White)	

### Notes:

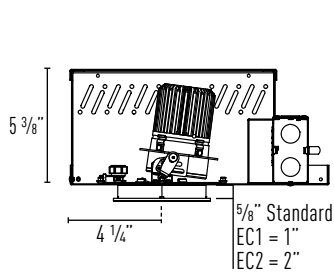
- Available in 120V only
- Not available with WD1
- Access above ceiling required
- Consult factory for lead times

# MXG2WSTR

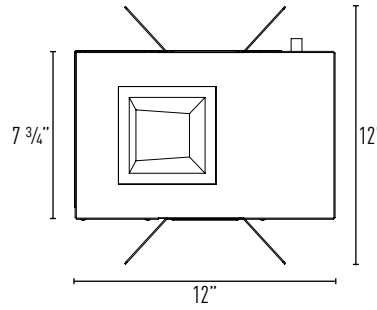
3.5" MX G2 LED Warm Dim Square Wall Wash

JOB NAME		CATALOG NUMBER	
NOTES		TYPE	

## NON-IC & AIR TIGHT IC DIMENSIONS



Ceiling Cut Out: 4 1/8"



### Plaster Frame Accommodation

Collar Type	Standard	EC1	EC2
Max Ceiling Thickness	Up-to 5/8"	Up-to 1"	Up-to 2"