

GD4WS / ISW400

4" Gravity Tunable White LED Square Wall Wash

| | | | |
|----------|--|----------------|--|
| JOB NAME | | CATALOG NUMBER | |
| NOTES | | TYPE | |

ELECTRICAL DATA

| LED Light Engine | Nominal Delivered Lumen* | System Wattage** |
|------------------|--------------------------|------------------|
| TW1 | 1000lm @ 3500K / 92CRI | 13W |
| TW2 | 1500lm @ 3500K / 92CRI | 19W |
| TW3 | 2000lm @ 3500K / 92CRI | 25W |
| TW4 | 2500lm @ 3500K / 92CRI | 33W |
| TW5 | 3000lm @ 3500K / 92CRI | 40W |

* Delivered lumen output will vary depending on CCT, CRI, optic and reflector finish | ** System Wattage includes driver and LED Module consumption.

FEATURES

- Tuning range from 2700K-6500K at a minimum of 92 CRI
- 3 SDCM binning options for both warm white (2700K) and cool white (6500K)
- Superior color mixing enabled by phosphor dispensed technology. High performance wall wash provides even illumination
- Fixed collar accepts up to 1-1/4" ceiling via hanger bar notches

LED LIGHT ENGINE

- Wattage: 13W to 40W
- Rated life of >50,000 hours L70 based on LED testing per LM-80-08 and projected values using IESNA TM21-11

DIMMING

- eldoLED Dual Drive 2CH 0-10V 0.1%
- Lutron T-Series 1% 2CH tunable white driver
- DMX512 RDM 8-bit 0.1%
- eldoLED Dual Drive DALI DT6 0.1%
- eldoLED Dual Drive DALI DT8 0.1%

FRAME CONSTRUCTION

Constructed from 16 and 18 gauge heavy duty powder coated cold rolled steel frame with a large access junction box. ETL listed for through wiring. LED light engine and driver are accessible from above or below ceiling.

ELECTRICAL SYSTEM

- 120V/277V Power factor >.9, 50/60Hz
- This product complies with IEEE C62.41 for surge endurance up to 2.5KV. Additional surge protection recommended. Damage from power surge is not covered by warranty.

REFLECTOR

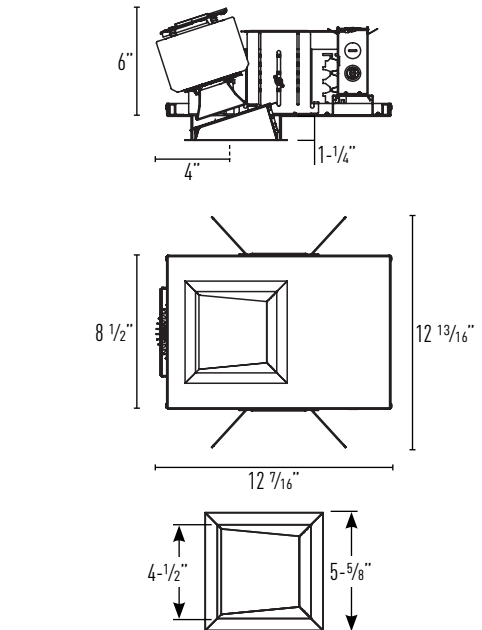
Subtle diffuse spread lens provides uniform illumination and distribution. Specification grade reflector with 1.5mm thickness. Reflector available in haze, white, clear, black or wheat finish. Consult factory for other colors. Architectural, discrete polished self flange standard. Optional painted white flange is available.

INSTALLATION

The luminaire is type Non-IC. Insulation must be kept at a minimum of 3" away from fixture. Accommodates ceiling thickness from 1/2" to 1-1/4". Universal mounting brackets included. Compatible with C-channel, flat bar, wood joist bar hanger and EMT. Bar hangers must be ordered separately. C-channel is recommended for T-bar ceilings. Max. ambient temperature: 95°F (35°C).

LISTING / WARRANTY

- ETL Listed to US and Canadian standards for damp locations
- 5-Year Intense LED Limited Warranty



Ceiling Cut Out: 5-1/4" x 5-1/4"
 Maximum Ceiling Thickness: 1-1/4"
 Minimum Ceiling Thickness: 1/2"

Housing Part Number: (Example: GD4WSTW1-ED10V01-NF)

| Housing | Wattage | CCT / CRI | Dimming | Voltage | Optic |
|---------|-----------|-----------------------|--|--------------|------------------------|
| GD4WS | TW1 (13W) | blank (TunableWhite) | -ED10V01 (eldoLED Dual Drive 2CH 0-10V 0.1%) | blank (120V) | -SP (20° Spot) |
| | TW2 (19W) | 2700K-6500K / 92 CRI) | -LUTT (Lutron® T Series 1%) | 27 (277V) | -NF (30° Narrow Flood) |
| | TW3 (25W) | | -DMXR (DMX512 RDM 0.1%) | | -FL (40° Flood) |
| | TW4 (33W) | | -DALI6 (eldoLED Dual Drive DALI DT6 0.1%) | | -WF (50° Wide Flood) |
| | TW5 (40W) | | -DALI8 (eldoLED Dual Drive DALI DT8 0.1%) | | |

Reflector Part Number: (Example: ISW400HZ-SF)

| Reflector | Reflector Finish | Trim |
|-----------|------------------|---------------------------|
| ISW400 | HZ (Haze) | -SF (Self Flanged) |
| | W (White) | -SFW (Self Flanged White) |
| | C (Clear) | |
| | B' (Black) | |
| | WHT' (Wheat) | |

Accessories

- I100 (C-Channel Bar Hangers)
- I200 (Flat Bar Hangers)
- I400 (Wood Joist Bar Hangers)

Notes:
 1. Consult factory for lead times

| | | | |
|-----------------|--|-----------------------|--|
| JOB NAME | | CATALOG NUMBER | |
| NOTES | | TYPE | |

ELECTRICAL DATA TABLE

| Lumen Package | CCT | 120V | 277V |
|---------------|-------|------|------|
| TW1 | 2700K | 15W | 18W |
| | 3500K | 13W | 16W |
| | 6500K | 13W | 16W |
| TW2 | 2700K | 23W | 25W |
| | 3500K | 19W | 21W |
| | 6500K | 18W | 21W |
| TW3 | 2700K | 30W | 32W |
| | 3500K | 25W | 27W |
| | 6500K | 24W | 26W |
| TW4 | 2700K | 41W | 42W |
| | 3500K | 33W | 36W |
| | 6500K | 31W | 33W |
| TW5 | 2700K | 51W | 51W |
| | 3500K | 40W | 43W |
| | 6500K | 42W | 41W |

*Notes: System Wattage includes driver and LED Module consumption

| | | | |
|----------|--|----------------|--|
| JOB NAME | | CATALOG NUMBER | |
| NOTES | | TYPE | |

GD4WSL130 / IRW400HZ

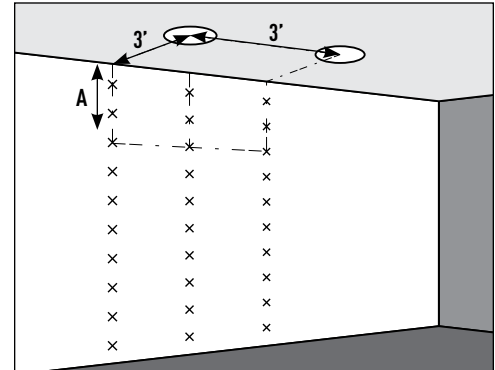
Report #: ILL-06202016-01.4
 Reflector Finish: Haze
 Luminaire Watts: 19W
 Luminaire Lumens: 1154lm
 Lumens Per Watt: 61
 Color Temperature: 3000K
 Color Rendering Index: 82

Emergency Multipliers:

7W Emergency (x 0.60)
 20W Emergency (x 1.66)

| (A) Distance From Ceiling | 3' From Wall On 3' Centers | 3' From Wall On 4' Centers | 4' From Wall On 4' Centers |
|---------------------------|----------------------------|----------------------------|----------------------------|
| | □ 3' □ | □ 4' □ | □ 4' □ |
| 1' | 9 8 9 | 8 5 8 | 2 2 2 |
| 2' | 28 27 28 | 23 19 23 | 11 11 11 |
| 3' | 31 31 31 | 24 23 24 | 17 17 17 |
| 4' | 25 25 25 | 20 20 20 | 17 17 17 |
| 5' | 19 19 19 | 15 15 15 | 15 15 15 |
| 6' | 14 15 14 | 12 12 12 | 12 13 12 |
| 7' | 11 11 11 | 9 9 9 | 10 10 10 |
| 8' | 8 8 8 | 7 7 7 | 8 8 8 |
| 9' | 6 6 6 | 5 6 5 | 6 7 6 |
| 10' | 5 5 5 | 4 4 4 | 5 5 5 |

Example: Two luminaires located 3' from wall and spaced 3' on center, the illumination on the wall 3' down from ceiling will be 9fc beneath units and 11fc between units



GD4WSL230 / IRW400HZ

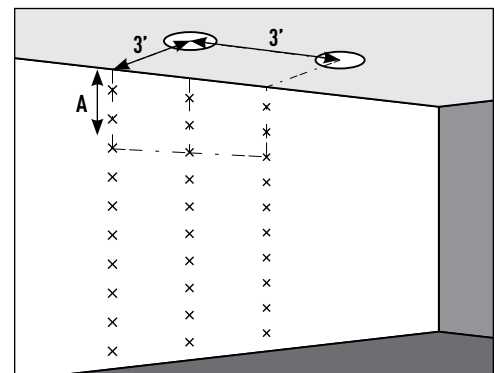
Report #: ILL-06202016-01.3
 Reflector Finish: Haze
 Luminaire Watts: 24W
 Luminaire Lumens: 1432lm
 Lumens Per Watt: 60
 Color Temperature: 3000K
 Color Rendering Index: 82

Emergency Multipliers:

7W Emergency (x 0.30)
 20W Emergency (x 0.83)

| (A) Distance From Ceiling | 3' From Wall On 3' Centers | 3' From Wall On 4' Centers | 4' From Wall On 4' Centers |
|---------------------------|----------------------------|----------------------------|----------------------------|
| | □ 3' □ | □ 4' □ | □ 4' □ |
| 1' | 11 10 11 | 9 6 9 | 3 2 3 |
| 2' | 35 34 35 | 28 23 28 | 14 13 14 |
| 3' | 38 38 38 | 30 29 30 | 21 21 21 |
| 4' | 31 32 31 | 24 24 24 | 21 22 21 |
| 5' | 24 24 24 | 19 19 19 | 19 19 19 |
| 6' | 18 18 18 | 14 15 14 | 15 16 15 |
| 7' | 13 14 13 | 11 11 11 | 12 13 12 |
| 8' | 10 10 10 | 9 9 9 | 10 10 10 |
| 9' | 8 8 8 | 7 7 7 | 8 8 8 |
| 10' | 6 6 6 | 5 5 5 | 7 7 7 |

Example: Two luminaires located 3' from wall and spaced 3' on center, the illumination on the wall 3' down from ceiling will be 18fc beneath units and 22fc between units



GD4WSL330 / IRW400HZ

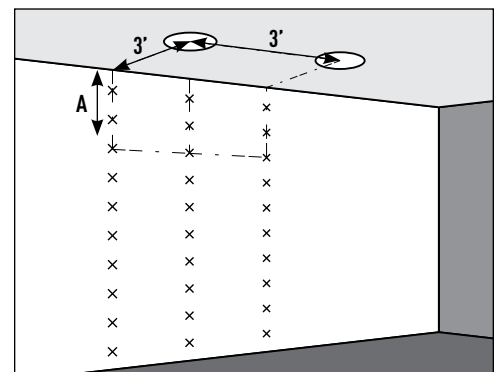
Report #: ILL-06202016-01.2
 Reflector Finish: Haze
 Luminaire Watts: 34W
 Luminaire Lumens: 2016lm
 Lumens Per Watt: 59
 Color Temperature: 3000K
 Color Rendering Index: 82

Emergency Multipliers:

7W Emergency (x 0.21)
 20W Emergency (x 0.59)

| (A) Distance From Ceiling | 3' From Wall On 3' Centers | 3' From Wall On 4' Centers | 4' From Wall On 4' Centers |
|---------------------------|----------------------------|----------------------------|----------------------------|
| | □ 3' □ | □ 4' □ | □ 4' □ |
| 1' | 15 13 15 | 13 8 13 | 4 3 4 |
| 2' | 49 48 49 | 40 32 40 | 19 18 19 |
| 3' | 54 54 54 | 42 40 42 | 30 29 30 |
| 4' | 44 44 44 | 34 34 34 | 30 30 30 |
| 5' | 33 34 33 | 27 27 27 | 26 27 26 |
| 6' | 25 25 25 | 20 21 20 | 22 22 22 |
| 7' | 19 19 19 | 16 16 16 | 18 18 18 |
| 8' | 14 14 14 | 12 12 12 | 14 14 14 |
| 9' | 11 11 11 | 9 10 9 | 11 12 11 |
| 10' | 8 9 8 | 7 8 7 | 9 9 9 |

Example: Two luminaires located 3' from wall and spaced 3' on center, the illumination on the wall 3' down from ceiling will be 26fc beneath units and 31fc between units



CCT / CRI Multipliers: 2700K / 82 CRI (x 0.93); 2700K / 92 CRI (x 0.74); 3000K / 82 CRI (x 1.00); 3000K / 92 CRI (x 0.79); 3500K / 82 CRI (x 1.03); 4000K / 82 CRI (x 1.04)

Gravity™

4" Gravity Tunable White LED Square Wall Wash Photometrics

| | | | |
|----------|--|----------------|--|
| JOB NAME | | CATALOG NUMBER | |
| NOTES | | TYPE | |

GD4WSL430 / IRW400HZ

Report #: ILL-06202016-01.1

Reflector Finish: Haze

Luminaire Watts: 46W

Luminaire Lumens: 2586lm

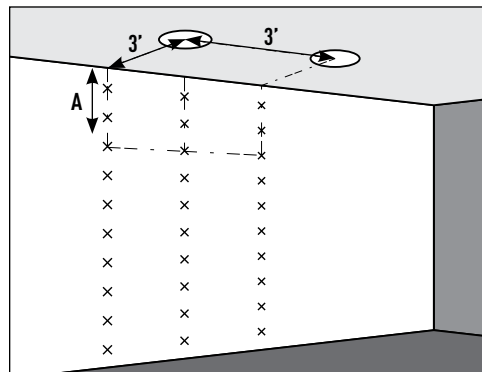
Lumens Per Watt: 56

Color Temperature: 3000K

Color Rendering Index: 82

| (A) Distance From Ceiling | 3' From Wall On 3' Centers | 3' From Wall On 4' Centers | 4' From Wall On 4' Centers |
|------------------------------------|-------------------------------|-------------------------------|-------------------------------|
| | | | |
| 1' | 19 17 19 | 17 11 17 | 5 4 5 |
| 2' | 62 61 62 | 51 41 51 | 25 24 25 |
| 3' | 69 69 69 | 54 51 54 | 38 38 38 |
| 4' | 57 57 57 | 44 44 44 | 39 39 39 |
| 5' | 43 44 43 | 34 34 34 | 34 34 34 |
| 6' | 32 33 32 | 26 26 26 | 28 28 28 |
| 7' | 24 24 24 | 20 20 20 | 22 23 22 |
| 8' | 18 19 18 | 15 16 15 | 18 18 18 |
| 9' | 14 14 14 | 12 12 12 | 14 15 14 |
| 10' | 11 11 11 | 10 10 10 | 12 12 12 |

Example: Two luminaires located 3' from wall and spaced 3' on center, the illumination on the wall 3' down from ceiling will be 34fc beneath units and 41fc between units



CCT / CRI Multipliers: 2700K / 82 CRI (x 0.93); 2700K / 92 CRI (x 0.74); 3000K / 82 CRI (x 1.00); 3000K / 92 CRI (x 0.79); 3500K / 82 CRI (x 1.03); 4000K / 82 CRI (x 1.04)