

# GDS4DS / ISDS400

## 4" Gravity Tunable White LED Square Shallow Downlight

JOB NAME		CATALOG NUMBER	
NOTES		TYPE	

### ELECTRICAL DATA

LED Light Engine	Nominal Delivered Lumen*	System Wattage**
TW1	1000lm @ 3500K / 92CRI	13W
TW2	1500lm @ 3500K / 92CRI	19W
TW3	2000lm @ 3500K / 92CRI	25W
TW4	2500lm @ 3500K / 92CRI	33W

\* Delivered lumen output will vary depending on CCT, CRI, optic and reflector finish | \*\* System Wattage includes driver and LED Module consumption.

### FEATURES

- Tuning range from 2700K-6500K
- Minimum 90 CRI
- 3 SDCM binning options for both warm white (2700K) and cool white (6500K)
- Superior color mixing enabled by phosphor dispensed technology
- Housing is 3.9" tall with minimal 5/8" collar that expands up to 1-1/4" for thicker ceilings via hanger bar placement

### LED LIGHT ENGINE

- Wattage: 13W to 33W
- Integrated driver tunes to dimmers across multiple luminaires
- Rated life of >50,000 hours L70 based on LED testing per LM-80-08 and projected values using IESNA TM21-11

### DIMMING

- eldoLED Dual Drive 2CH 0-10V 0.1%
- Lutron T-Series 1% 2CH tunable white driver
- DMX512 RDM 8-bit 0.1%
- eldoLED Dual Drive DALI DT6 0.1%
- eldoLED Dual Drive DALI DT8 0.1%

### OPTICS

- 20° Spot, 30° Narrow Flood, 40° Flood and 50° Wide Flood
- Optics and filter media are field customizable

### ELECTRICAL SYSTEM

- 120V/277V Power factor >.9, 50/60Hz
- This product complies with IEEE C62.41 for surge endurance up to 2.5KV. Additional surge protection recommended. Damage from power surge is not covered by warranty.

### FRAME CONSTRUCTION

Constructed from 16 and 18 gauge heavy duty powder coated cold rolled steel frame with a large access junction box. ETL listed for through wiring. LED light engine and driver are accessible from above or below ceiling.

### REFLECTOR

Specification grade reflector with 1.5mm thickness. Reflector available in haze, white, clear, black or wheat finish. Consult factory for other colors. Architectural, discrete polished self flange standard. Optional painted white flange is available. Meets RP-1 requirements with controlled light distribution at a 55° cut off.

### INSTALLATION

The luminaire is type Non-IC. Insulation must be kept at a minimum of 3" away from fixture. Accommodates ceiling thickness from 5/8" to 1-1/4". Universal mounting brackets included. Compatible with C-channel, flat bar, wood joist bar hanger and EMT. Bar hangers must be ordered separately. C-channel is recommended for T-bar ceilings. Max. ambient temperature: 95°F (35°C).

### ACCESSORIES

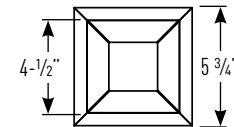
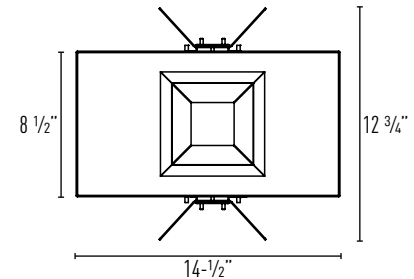
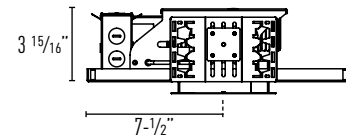
Luminaire will accommodate (2) accessories, accessory holder required.

### LISTING / WARRANTY

- ETL Listed to US and Canadian standards for damp locations
- 5-Year Intense LED Limited Warranty



Gravity™



Ceiling Cut Out: 5-1/4" x 5-1/4"  
Maximum Ceiling Thickness: 1-1/4"  
Minimum Ceiling Thickness: 5/8"

Housing Part Number: (Example: GDS4DSTW1-ED10V01-NF)

Housing	Wattage	CCT / CRI	Dimming	Voltage	Optic
GDS4DS	TW1 (13W)	blank (TunableWhite)	-ED10V01 (eldoLED Dual Drive 2CH 0-10V 0.1%)	blank (120V)	-SP (20° Spot)
	TW2 (19W)	2700K-6500K / 92 CRI)	-LUTT (Lutron® T Series 1%)	27 (277V)	-NF (30° Narrow Flood)
	TW3 (25W)		-DMXR (DMX512 RDM 0.1%)		-FL (40° Flood)
	TW4 (33W)		-DALI6 (eldoLED Dual Drive DALI DT6 0.1%)		-WF (50° Wide Flood)
			-DALI8 (eldoLED Dual Drive DALI DT8 0.1%)		

Reflector Part Number (Example: ISDS400HZ-SF)

Reflector	Reflector Finish	Trim Type
ISDS400	HZ (Haze)	-SF (Self Flanged)
	W (White)	-SFW (Self Flanged White)
	C (Clear)	
	B <sup>1</sup> (Black)	
	WHT <sup>1</sup> (Wheat)	

### Accessories

I100	(Black Accessory Holder)
I200	(White Accessory Holder)
I400	(Solite Soft Focus Lens)
LH63	(Black Hex Louver)
LH63W	(C-Channel Bar Hangers)
PFL4-63	(Flat Bar Hangers)
PFLMB-63	(Wood Joist Bar Hangers)

### Replacement Optics

IP-OP63SP	(20° Spot Optic)
IP-OP63NF	(30° Narrow Flood Optic)
IP-OP63FL	(40° Flood Optic)
IP-OP63WF	(50° Wide Flood Optic)

Notes:  
1. Consult factory for lead times

DOWNLIGHTING-GRAVITY LM-0701-25 P-1

INTENSE LIGHTING | 3340 E La Palma Ave, Anaheim, CA 92806 | tel 714 630-9877 | fax 714 630-9883

For Intense Lighting's limited product warranty, go to [www.intenselighting.com](http://www.intenselighting.com). For a printed copy of the warranty, you may call 800 961-5321.

© 2025 Intense Lighting, LLC. All rights reserved. Note: This document is subject to change without notice.

<b>JOB NAME</b>		<b>CATALOG NUMBER</b>	
<b>NOTES</b>		<b>TYPE</b>	

**ELECTRICAL DATA TABLE**

<b>Lumen Package</b>	<b>CCT</b>	<b>120V</b>	<b>277V</b>
<b>TW1</b>	2700K	15W	18W
	3500K	13W	16W
	6500K	13W	16W
<b>TW2</b>	2700K	23W	25W
	3500K	19W	21W
	6500K	18W	21W
<b>TW3</b>	2700K	30W	32W
	3500K	25W	27W
	6500K	24W	26W
<b>TW4</b>	2700K	41W	42W
	3500K	33W	36W
	6500K	31W	33W

\*Notes: System Wattage includes driver and LED Module consumption

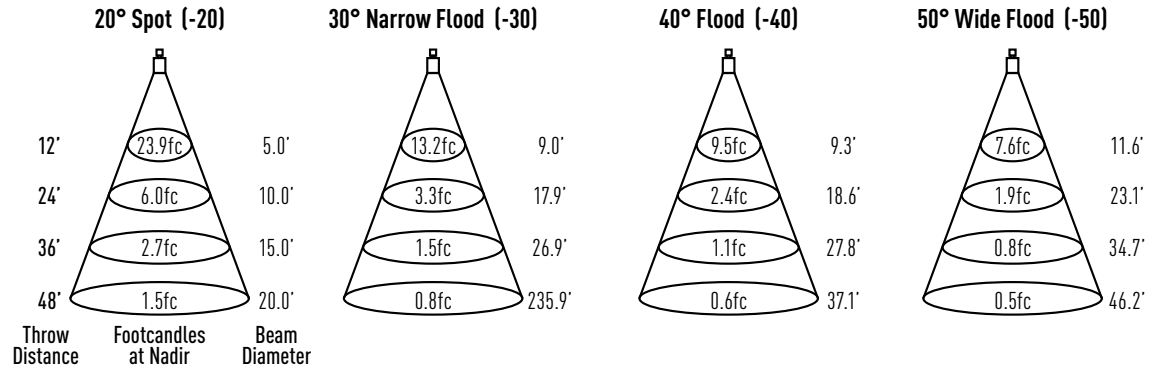
<b>JOB NAME</b>		<b>CATALOG NUMBER</b>	
<b>NOTES</b>		<b>TYPE</b>	

## GDS4DSL130 / IRDS400HZ

Report #: ILL-20191202-2.001 (-20)  
 ILL-20191202-4.001 (-30)  
 ILL-20191202-6.001 (-40)  
 ILL-20191202-8.001 (-50)

### CCT MULTIPLIERS:

	<b>82 CRI</b>	<b>92 CRI</b>
2700K	(x 0.95)	(x 0.79)
3000K	(x 1.00)	(x 0.82)
3500K	(x 1.02)	(x 0.85)
4000K	(x 1.03)	(x 0.88)



Watts: 10  
 Lumens: 1043  
 LPW: 104.3  
 CCT: 3000K

Watts: 10  
 Lumens: 1095  
 LPW: 109.5  
 CCT: 3000K

Watts: 10  
 Lumens: 979  
 LPW: 97.9  
 CCT: 3000K

Watts: 10  
 Lumens: 1032  
 LPW: 103.2  
 CCT: 3000K

Luminance	
Degree	CBCP
0°	3444
5°	3118
15°	1219
25°	481
35°	157
45°	42

Luminance	
Degree	CBCP
0°	1903
5°	1841
15°	1347
25°	660
35°	210
45°	50

Luminance	
Degree	CBCP
0°	1372
5°	1318
15°	966
25°	523
35°	233
45°	110

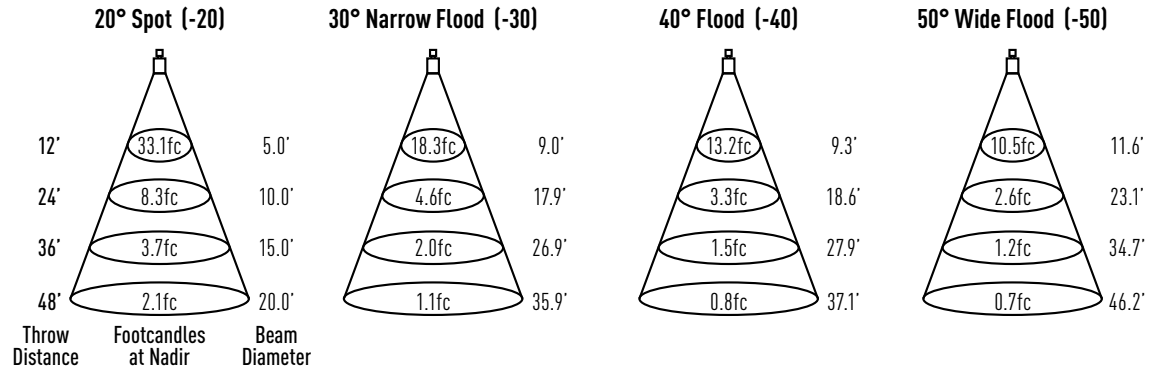
Luminance	
Degree	CBCP
0°	1087
5°	1070
15°	906
25°	575
35°	281
45°	132

## GDS4DSL230 / IRDS400HZ

Report #: ILL-20191202-2.002 (-20)  
 ILL-20191202-4.002 (-30)  
 ILL-20191202-6.002 (-40)  
 ILL-20191202-8.002 (-50)

### CCT MULTIPLIERS:

	<b>82 CRI</b>	<b>92 CRI</b>
2700K	(x 0.95)	(x 0.79)
3000K	(x 1.00)	(x 0.82)
3500K	(x 1.02)	(x 0.85)
4000K	(x 1.03)	(x 0.88)



Watts: 14  
 Lumens: 1444  
 LPW: 103.1  
 CCT: 3000K

Watts: 14  
 Lumens: 1515  
 LPW: 108.21  
 CCT: 3000K

Watts: 14  
 Lumens: 1356  
 LPW: 96.9  
 CCT: 3000K

Watts: 14  
 Lumens: 1429  
 LPW: 102.07  
 CCT: 3000K

Luminance	
Degree	CBCP
0°	4768
5°	4317
15°	1688
25°	666
35°	217
45°	58

Luminance	
Degree	CBCP
0°	2635
5°	2549
15°	1865
25°	914
35°	291
45°	70

Luminance	
Degree	CBCP
0°	1900
5°	1825
15°	1337
25°	724
35°	323
45°	152

Luminance	
Degree	CBCP
0°	1505
5°	1482
15°	1255
25°	796
35°	390
45°	183

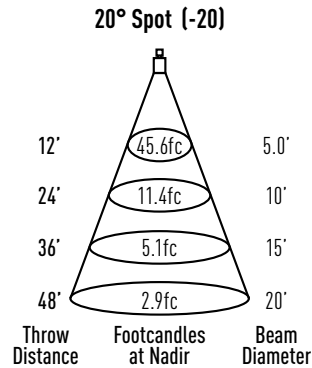
JOB NAME		CATALOG NUMBER	
NOTES		TYPE	

## GDS4DSL330 / IRDS400HZ

Report #: ILL-20191202-2.003 (-20)  
 ILL-20191202-4.003 (-30)  
 ILL-20191202-6.003 (-40)  
 ILL-20191202-8.003 (-50)

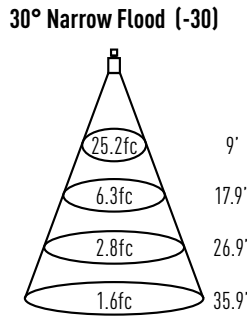
### CCT MULTIPLIERS:

	<b>82 CRI</b>	<b>92 CRI</b>
2700K	(x 0.95)	(x 0.79)
3000K	(x 1.00)	(x 0.82)
3500K	(x 1.02)	(x 0.85)
4000K	(x 1.03)	(x 0.88)



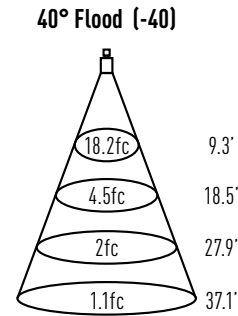
Watts: 19  
 Lumens: 1989  
 LPW: 104.7  
 CCT: 3000K

Luminance	
Degree	CBCP
0°	6570
5°	5948
15°	2325
25°	917
35°	299
45°	80



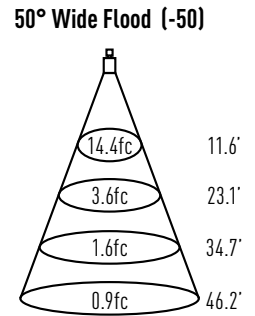
Watts: 19  
 Lumens: 2080  
 LPW: 109.5  
 CCT: 3000K

Luminance	
Degree	CBCP
0°	3631
5°	3512
15°	2570
25°	1259
35°	401
45°	96



Watts: 19  
 Lumens: 1868  
 LPW: 98.3  
 CCT: 3000K

Luminance	
Degree	CBCP
0°	2653
5°	2535
15°	1840
25°	1078
35°	374
45°	105



Watts: 19  
 Lumens: 1969  
 LPW: 103.6  
 CCT: 3000K

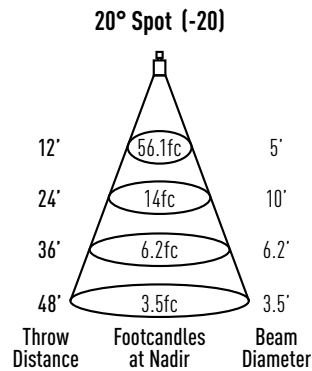
Luminance	
Degree	CBCP
0°	2074
5°	2041
15°	1729
25°	1097
35°	537
45°	253

## GDS4DSL430 / IRDS400HZ

Report #: ILL-20191202-2.004 (-20)  
 ILL-20191202-4.004 (-30)  
 ILL-20191202-6.004 (-40)  
 ILL-20191202-8.004 (-50)

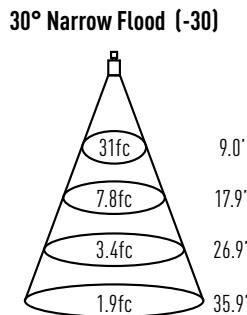
### CCT MULTIPLIERS:

	<b>82 CRI</b>	<b>92 CRI</b>
2700K	(x 0.95)	(x 0.79)
3000K	(x 1.00)	(x 0.82)
3500K	(x 1.02)	(x 0.85)
4000K	(x 1.03)	(x 0.88)



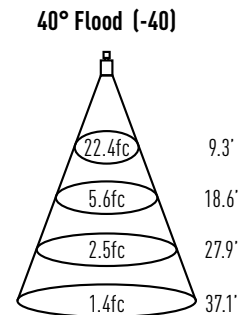
Watts: 24  
 Lumens: 2446  
 LPW: 101.9  
 CCT: 3000K

Luminance	
Degree	CBCP
0°	8080
5°	7315
15°	2860
25°	1128
35°	368
45°	98



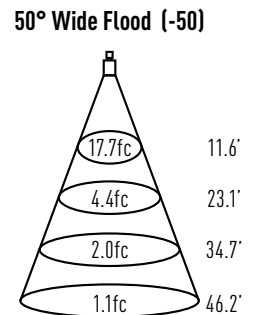
Watts: 24  
 Lumens: 2568  
 LPW: 107  
 CCT: 3000K

Luminance	
Degree	CBCP
0°	4466
5°	4319
15°	3160
25°	1548
35°	493
45°	118



Watts: 24  
 Lumens: 2297  
 LPW: 95.7  
 CCT: 3000K

Luminance	
Degree	CBCP
0°	3219
5°	3093
15°	2266
25°	1226
35°	547
45°	258



Watts: 24  
 Lumens: 2421  
 LPW: 100.9  
 CCT: 3000K

Luminance	
Degree	CBCP
0°	2551
5°	2511
15°	2126
25°	1349
35°	660
45°	311