

GDS4DS / ISDS400

4" Gravity LED Square Shallow Downlight

JOB NAME		CATALOG NUMBER	
NOTES		TYPE	

ELECTRICAL DATA: (Data Based On 3000K/82CRI Configuration)

LED Light Engine	Nominal Delivered Lumens *	System Wattage **	Efficacy	LED Light Engine	Nominal Delivered Lumens *	System Wattage **	Efficacy
L1	1000lm	12W	83 lm/W	L5	2800lm	31W	90 lm/W
L2	1300lm	15W	87 lm/W	L6	3300lm	37W	89 lm/W
L3	1900lm	20W	95 lm/W	L7	3800lm	44W	86 lm/W
L4	2300lm	25W	92 lm/W	L8	4300lm	48W	90 lm/W

* Delivered lumen output will vary depending on CCT, CRI, optic and reflector finish. | ** System Wattage include driver and LED Module consumption.

FEATURES

- Housing is 3.9" tall with minimal 5/8" collar that expands up to 1 1/4" for thicker ceilings via hanger bar placement

LED LIGHT ENGINE

- 10W, 14W, 19W, 24W, 29W, 34W, 41W & 46W
- 82/92 CRI at 2700K, 3000K, 3500K & 4000K with 2 Step MacAdam (2 SDCM)
- Rated life of >50,000 hours L70 based on LED testing per LM-80-08 and projected values using IESNA TM21-11
- LED is not field replaceable

DIMMING

- Phase Dimming 120V only, Forward 1% / Reverse 5%
- 0-10V Dimming 1%
- EldoLED 0-10V 0.1% or 1%
- Lutron® LDE1 Hi-Lume 1% EcoSystem LED driver with Soft-on, Fade-to-Black dimming technology
- DMX512 RDM 0.1%

OPTICS

- 14° Narrow Spot, 20° Spot, 30° Narrow Flood, 40° Flood and 50° Wide Flood
- Optics and filter media are field customizable

ELECTRICAL SYSTEM

- Dedicated voltage options of 120V or 277V. Must be specified in catalog code.
- Power factor >.9, 50/60Hz
- This product complies with IEEE C62.41 for surge endurance up to 2.5KV. Additional surge protection recommended. Damage from power surge is not covered by warranty.

FRAME CONSTRUCTION

Constructed from 16 and 18 gauge heavy duty powder coated cold rolled steel frame with a large access junction box. ETL listed for through wiring. Driver is accessible from above or below ceiling.

REFLECTOR

Specification grade reflector with 1.5mm thickness. Reflector available in haze, white, clear or black finish. Consult factory for other colors. Architectural, discrete polished self flange standard. Optional painted white flange is available. Meets RP-1 requirements with controlled light distribution at a 55° cut off.

INSTALLATION

The luminaire is type Non-IC. Insulation must be kept at a minimum of 3" away from fixture. Accommodates ceiling thickness from 5/8" to 1 1/4". Universal mounting brackets included. Compatible with C-channel, flat bar, wood joist bar hanger and EMT. Bar hangers must be ordered separately. C-channel is recommended for T-bar ceilings. Max. ambient temperature: 95°F (35°C).

EMERGENCY BACKUP

Remote test switch included. External battery operates LED load of up to 7W at a minimum of 550 lumens for 90 minutes (EM7), or 20W at a minimum of 1650 lumens for 90 minutes (EM20).

ACCESSORIES

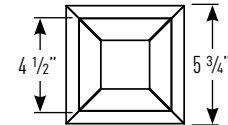
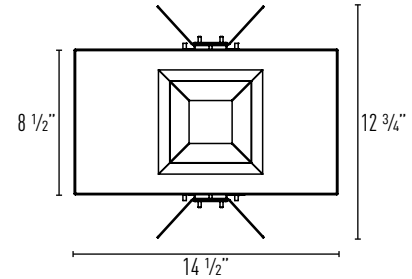
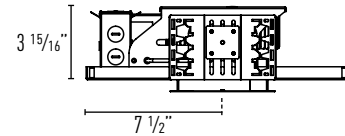
Luminaire will accommodate (2) accessories, accessory holder required.

LISTING / WARRANTY

- ETL Listed to US and Canadian standards for damp locations
- 5-Year Intense LED Limited Warranty



Gravity™



Ceiling Cut Out: 5 1/4" x 5 1/4"
Maximum Ceiling Thickness: 1 1/4"
Minimum Ceiling Thickness: 5/8"

Housing Part Number (Example: GDS4DSL230-D101-NS)

Housing	Wattage	CCT / CRI	Dimming	Voltage	Optic	Options
GDS4DS	L1 (12W)	27 (2700K / 82 CRI)	-DIM ¹ (Phase Dimming)	blank (120V)	-NS ³ (14° Narrow Spot)	EM7 (7W Emergency Backup)
	L2 (15W)	279 (2700K / 92 CRI)	-D101 (0-10V Dimming 1%)	27 (277V)	-SP (20° Spot)	IOTA part #ILB-CP07-A)
	L3 (20W)	30 (3000K / 82 CRI)	-ED10V1 (eldoLED 0-10V 1%)		-NF (30° Narrow Flood)	EM20 ⁴ (20W Emergency Backup w/ Remote Test Switch IOTA ILB-CP20-HE-S)
	L4 (25W)	309 (3000K / 92 CRI)	-ED10V01 (eldoLED 0-10V 0.1%)		-FL (40° Flood)	
	L5 (31W)	35 (3500K / 82 CRI)	-LUT ² (Lutron® LDE1 EcoSystem 1%)		-WF (50° Wide Flood)	
	L6 (37W)	359 (3500K / 92 CRI)	-DMXR ² (DMX512 RDM 0.1%)			
	L7 (44W)	40 (4000K / 82 CRI)				
	L8 (48W)	409 (4000K / 92 CRI)				

Reflector Part Number (Example: ISDS400HZ-SF)

Reflector	Reflector Finish
ISDS400	HZ-SF (Haze, Self-Flanged)
	HZ-SFW (Haze, Self-Flanged White)
	W-SF (White, Self-Flanged)
	C-SF (Clear, Self-Flanged)
	C-SFW (Clear, Self-Flanged White)
	B-SF ⁵ (Black, Self-Flanged)

Accessories

LH63	(Black Accessory Holder)
LH63W	(White Accessory Holder)
PFL4-63	(Solite Soft Focus Lens)
PFLMB-63	(Black Hex Louver)
I100	(C-Channel Bar Hangers)
I200	(Flat Bar Hangers)
I400	(Wood Joist Bar Hangers)

Notes:

- Available in 120V only
- Not available with L1 & L2
- 14° Optic not available in L8 & L9
- EM20 only available for L4 to L9
- Consult factory for lead times

DOWNLIGHTING-GRAVITY LM-0223.26 P-7

INTENSE LIGHTING | 725 Landwehr Road, Northbrook, IL 60062 | tel 714 630-9877

For Intense Lighting's limited product warranty, go to www.intenselighting.com. For a printed copy of the warranty, you may call 714 630-9877.

© 2026 Intense Lighting, LLC. All rights reserved. Note: This document is subject to change without notice.

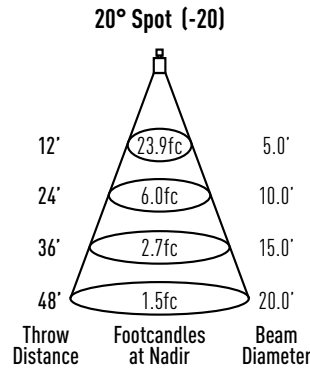
JOB NAME		CATALOG NUMBER	
NOTES		TYPE	

GDS4DSL130 / IRDS400HZ

Report #: ILL-20191202-2.001 (-20)
 ILL-20191202-4.001 (-30)
 ILL-20191202-6.001 (-40)
 ILL-20191202-8.001 (-50)

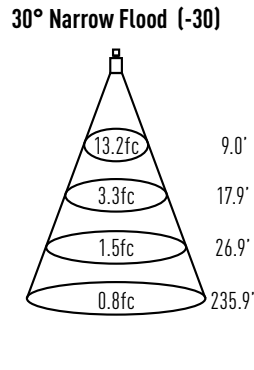
CCT MULTIPLIERS:

	82 CRI	92 CRI
2700K	(x 0.95)	(x 0.79)
3000K	(x 1.00)	(x 0.82)
3500K	(x 1.02)	(x 0.85)
4000K	(x 1.03)	(x 0.88)



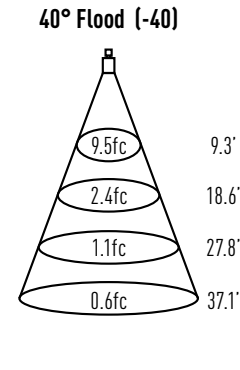
Watts: 10
 Lumens: 1043
 LPW: 104.3
 CCT: 3000K

Luminance	
Degree	CBCP
0°	3444
5°	3118
15°	1219
25°	481
35°	157
45°	42



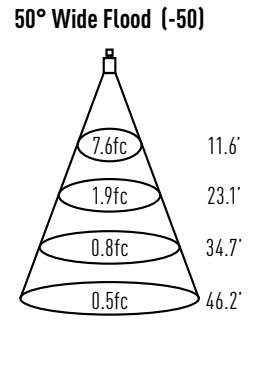
Watts: 10
 Lumens: 1095
 LPW: 109.5
 CCT: 3000K

Luminance	
Degree	CBCP
0°	1903
5°	1841
15°	1347
25°	660
35°	210
45°	50



Watts: 10
 Lumens: 979
 LPW: 97.9
 CCT: 3000K

Luminance	
Degree	CBCP
0°	1372
5°	1318
15°	966
25°	523
35°	233
45°	110



Watts: 10
 Lumens: 1032
 LPW: 103.2
 CCT: 3000K

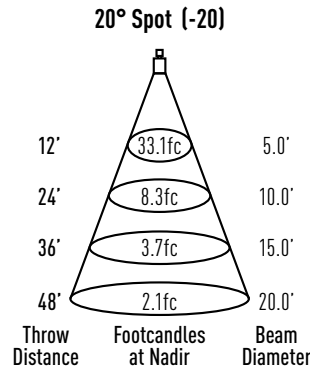
Luminance	
Degree	CBCP
0°	1087
5°	1070
15°	906
25°	575
35°	281
45°	132

GDS4DSL230 / IRDS400HZ

Report #: ILL-20191202-2.002 (-20)
 ILL-20191202-4.002 (-30)
 ILL-20191202-6.002 (-40)
 ILL-20191202-8.002 (-50)

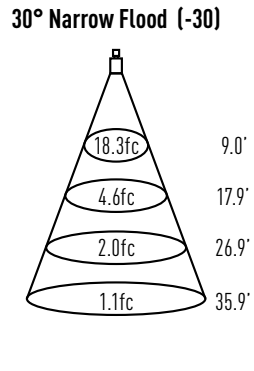
CCT MULTIPLIERS:

	82 CRI	92 CRI
2700K	(x 0.95)	(x 0.79)
3000K	(x 1.00)	(x 0.82)
3500K	(x 1.02)	(x 0.85)
4000K	(x 1.03)	(x 0.88)



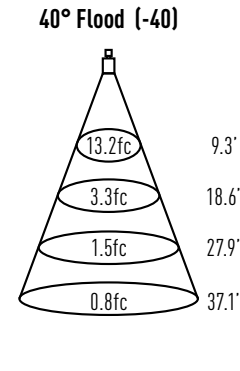
Watts: 14
 Lumens: 1444
 LPW: 103.1
 CCT: 3000K

Luminance	
Degree	CBCP
0°	4768
5°	4317
15°	1688
25°	666
35°	217
45°	58



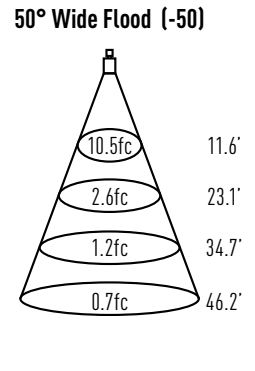
Watts: 14
 Lumens: 1515
 LPW: 108.21
 CCT: 3000K

Luminance	
Degree	CBCP
0°	2635
5°	2549
15°	1865
25°	914
35°	291
45°	70



Watts: 14
 Lumens: 1356
 LPW: 96.9
 CCT: 3000K

Luminance	
Degree	CBCP
0°	1900
5°	1825
15°	1337
25°	724
35°	323
45°	152



Watts: 14
 Lumens: 1429
 LPW: 102.07
 CCT: 3000K

Luminance	
Degree	CBCP
0°	1505
5°	1482
15°	1255
25°	796
35°	390
45°	183

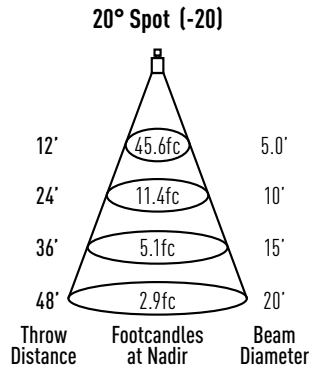
JOB NAME		CATALOG NUMBER	
NOTES		TYPE	

GDS4DSL330 / IRDS400HZ

Report #: ILL-20191202-2.003 (-20)
 ILL-20191202-4.003 (-30)
 ILL-20191202-6.003 (-40)
 ILL-20191202-8.003 (-50)

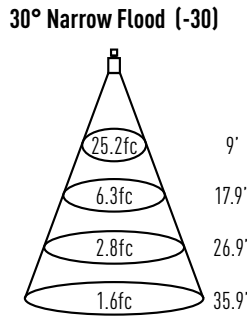
CCT MULTIPLIERS:

	82 CRI	92 CRI
2700K	(x 0.95)	(x 0.79)
3000K	(x 1.00)	(x 0.82)
3500K	(x 1.02)	(x 0.85)
4000K	(x 1.03)	(x 0.88)



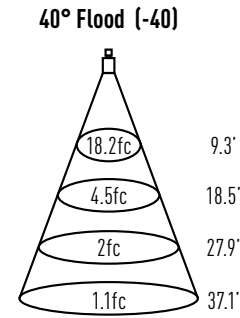
Watts: 19
 Lumens: 1989
 LPW: 104.7
 CCT: 3000K

Luminance	
Degree	CBCP
0°	6570
5°	5948
15°	2325
25°	917
35°	299
45°	80



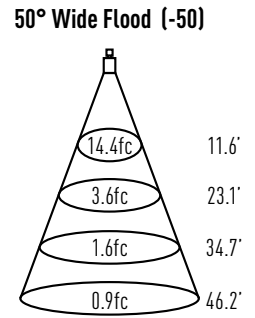
Watts: 19
 Lumens: 2080
 LPW: 109.5
 CCT: 3000K

Luminance	
Degree	CBCP
0°	3631
5°	3512
15°	2570
25°	1259
35°	401
45°	96



Watts: 19
 Lumens: 1868
 LPW: 98.3
 CCT: 3000K

Luminance	
Degree	CBCP
0°	2653
5°	2535
15°	1840
25°	1078
35°	374
45°	105



Watts: 19
 Lumens: 1969
 LPW: 103.6
 CCT: 3000K

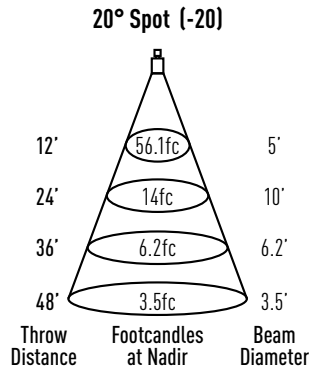
Luminance	
Degree	CBCP
0°	2074
5°	2041
15°	1729
25°	1097
35°	537
45°	253

GDS4DSL430 / IRDS400HZ

Report #: ILL-20191202-2.004 (-20)
 ILL-20191202-4.004 (-30)
 ILL-20191202-6.004 (-40)
 ILL-20191202-8.004 (-50)

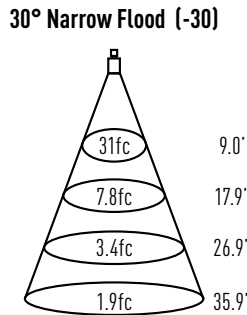
CCT MULTIPLIERS:

	82 CRI	92 CRI
2700K	(x 0.95)	(x 0.79)
3000K	(x 1.00)	(x 0.82)
3500K	(x 1.02)	(x 0.85)
4000K	(x 1.03)	(x 0.88)



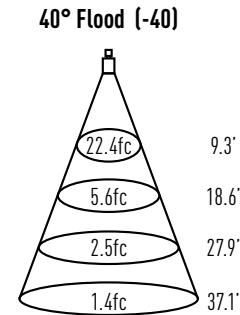
Watts: 24
 Lumens: 2446
 LPW: 101.9
 CCT: 3000K

Luminance	
Degree	CBCP
0°	8080
5°	7315
15°	2860
25°	1128
35°	368
45°	98



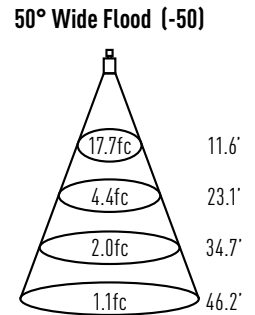
Watts: 24
 Lumens: 2568
 LPW: 107
 CCT: 3000K

Luminance	
Degree	CBCP
0°	4466
5°	4319
15°	3160
25°	1548
35°	493
45°	118



Watts: 24
 Lumens: 2297
 LPW: 95.7
 CCT: 3000K

Luminance	
Degree	CBCP
0°	3219
5°	3093
15°	2266
25°	1226
35°	547
45°	258



Watts: 24
 Lumens: 2421
 LPW: 100.9
 CCT: 3000K

Luminance	
Degree	CBCP
0°	2551
5°	2511
15°	2126
25°	1349
35°	660
45°	311