

GD6WR / IRW600

6" Gravity LED Wall Wash

JOB NAME		CATALOG NUMBER	
NOTES		TYPE	

ELECTRICAL DATA: (Data Based On 3000K/82CRI Configuration)

LED Light Engine	Nominal Delivered Lumens **	System Wattage **	Efficacy	LED Light Engine	Nominal Delivered Lumens **	System Wattage **	Efficacy
L3	2000lm	23W	87 lm/W	L7	4000lm	50W	80 lm/W
L4	2500lm	30W	83 lm/W	L8	4500lm	75W	61 lm/W
L5	3000lm	43W	70 lm/W	L10	6000lm	87W	69 lm/W
L6	3500lm	49W	71 lm/W				

* Delivered lumen output will vary depending on CCT, CRI, optic and reflector finish. | ** System Wattage include driver and LED Module consumption.

LED LIGHT ENGINE

- 82/92 CRI, 2000K, 2500K, 3000K, 3500K, 4000K, 4500K, 6000K
- 2 Step MacAdam (2 SDCM)
- Rated life of >50,000 hours L70 based on LED testing per LM-80-08 and projected values using IESNA TM21-11

DIMMING

- Forward/Reverse Phase Dimming 5% (120V only)
- 0-10V Dimming 1%
- elDoLED 0-10V 0.1% or 1%
- Lutron® LDE1 Hi-Lume 1% EcoSystem LED driver with Soft-on, Fade-to-Black dimming technology
- DMX512 RDM 0.1%

FRAME CONSTRUCTION

Constructed from 16 gauge and 18 gauge heavy duty powder coated cold rolled steel frame with a large access junction box. ETL listed for through wiring. LED light engine and driver are accessible from above or below ceiling.

ELECTRICAL SYSTEM

- 120/277V Power factor >.9, 50/60Hz
- 347V available, consult factory
- Multiple dimming drivers available
- This product complies with IEEE C62.41 for surge endurance up to 2.5KV. Additional surge protection recommended. Damage from power surge is not covered by warranty.

REFLECTOR

Subtle diffuse spread lens provides uniform illumination and distribution. Specification grade reflector with 1.5mm thickness. Reflector available in clear, haze or white finish. Consult factory for other colors. Architectural, discrete polished self flange standard. Optional painted white flange is available.

INSTALLATION

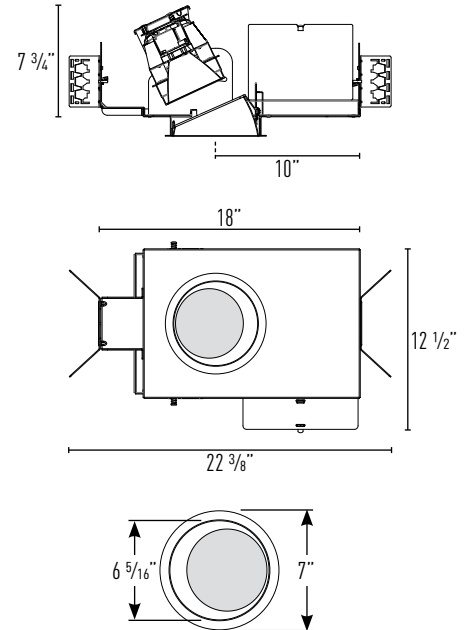
The luminaire is type Non-IC. Insulation must be kept at a minimum of 3" away from fixture. Accommodates up to 1 1/4" ceiling thickness. Universal mounting brackets included. Compatible with C-channel, flat bar, wood joist bar hanger and EMT. Bar hangers must be ordered separately. C-channel is recommended for T-bar ceilings. Max. ambient temperature: 95°F (35°C).

EMERGENCY BACKUP

Remote test switch included. External battery operates LED load of up to 20W at a minimum of 1500 lumens @ 3000K for 90 minutes (EM20).

LISTING / WARRANTY

- ETL Listed to US and Canadian standards for damp locations
- 5-Year Intense LED Limited Warranty



Ceiling Cut Out: 6 1/2"
Maximum Ceiling Thickness: 1 1/4"

Housing Part Number: (Example: GD6WRL327-DIMEM7)

Housing	Wattage	CCT / CRI	Dimming	Voltage	Options
GD6WR	L3 (23W)	27 (2700K / 82 CRI)	-DIM ¹ (Phase Dimming 5%)	blank (120V)	EM20 (20W Emergency Backup w/ Remote Test Switch IOTA ILB-CP20-HE-S)
	L4 (30W)	279 (2700K / 92 CRI)	-D101 (0-10V Dimming 1%)	27 (277V)	
	L5 (43W)	30 (3000K / 82 CRI)	-ED10V1 ² (elDoLED 0-10V 1%)	34 ⁴ (347V)	
	L6 (49W)	309 (3000K / 92 CRI)	-ED10V01 ² (elDoLED 0-10V 0.1%)		
	L7 (50W)	35 (3500K / 82 CRI)	-LUT ³ (Lutron® LDE1 EcoSystem 1%)		
	L8 (74W)	359 (3500K / 92 CRI)	-DMXR (DMX512 RDM 0.1%)		
	L10 (87W)	40 (4000K / 82 CRI)			
		409 (4000K / 92 CRI)			

Reflector Part Number: (Example: IRW600HZ-SF)

Reflector	Reflector Finish
IRW600	HZ-SF (Haze, Self-Flanged)
	HZ-SFW (Haze, Self-Flanged White)
	W-SF (White, Self-Flanged)
	C-SF (Clear, Self-Flanged)
	C-SFW (Clear, Self-Flanged White)
	B-SF ¹¹ (Black, Self-Flanged)

Accessories
I100 (C-Channel Bar Hangers)
I200 (Flat Bar Hangers)
I400 (Wood Joist Bar Hangers)

- Notes:
- Available in 120V only
 - elDoLED dimming available with L3-L8
 - Lutron® dimming available with L3-L5z
 - Consult factory for lead times

6" Gravity LED Wall Wash Photometrics

JOB NAME		CATALOG NUMBER	
NOTES		TYPE	

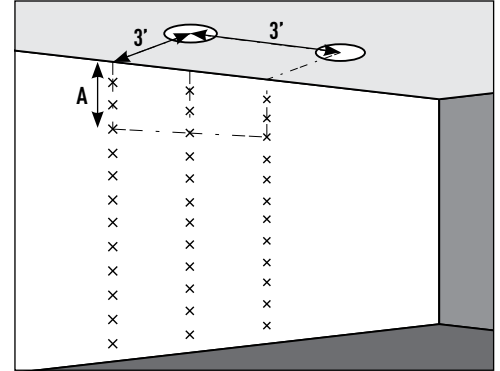
GD6WRM130 / IRW600HZ

Report #: ILL11042015-02
 Reflector Finish: Haze
 Luminaire Watts: 12W
 Luminaire Lumens: 944lm
 Lumens Per Watt: 78
 Color Temperature: 3000K
 Color Rendering Index: 82

Emergency Multipliers:
 7W Emergency (x 0.58)
 20W Emergency (x 1.64)

(A) Distance From Ceiling	3' From Wall On 3' Centers	4' From Wall On 3' Centers	4' From Wall On 4' Centers
	□ 3' □	□ 3' □	□ 4' □
1'	0 0 0	0 0 0	0 0 0
2'	5 3 5	1 1 1	1 1 1
3'	19 24 19	5 7 5	5 4 5
4'	24 32 24	12 19 12	11 13 11
5'	24 27 24	16 22 16	13 18 13
6'	20 21 20	17 20 17	14 17 14
7'	15 16 15	15 16 15	13 15 13
8'	12 12 12	12 14 12	11 12 11
9'	9 9 9	10 11 10	9 10 9
10'	7 7 7	8 9 8	8 8 8
11'	5 5 5	7 7 7	6 6 6
12'	4 4 4	5 6 5	5 5 5

Example: Two luminaires located 3' from wall and spaced 3' on center, the illumination on the wall 3' down from ceiling will be 19fc beneath units and 24fc between units



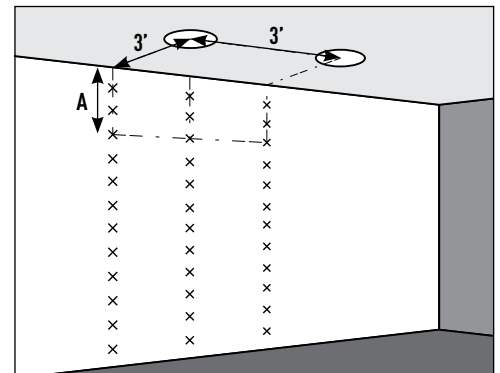
GD6WRM230 / IRW600HZ

Report #: ILL10282015-07
 Reflector Finish: Haze
 Luminaire Watts: 24W
 Luminaire Lumens: 1834lm
 Lumens Per Watt: 77
 Color Temperature: 3000K
 Color Rendering Index: 82

Emergency Multipliers:
 7W Emergency (x 0.30)
 20W Emergency (x 0.85)

(A) Distance From Ceiling	3' From Wall On 3' Centers	4' From Wall On 3' Centers	4' From Wall On 4' Centers
	□ 3' □	□ 3' □	□ 4' □
1'	1 1 1	0 0 0	0 0 0
2'	5 5 5	1 1 1	1 1 1
3'	28 38 28	6 9 6	6 6 6
4'	40 56 40	19 30 19	16 21 16
5'	41 50 41	26 37 26	22 31 22
6'	36 40 36	28 35 28	23 31 23
7'	28 31 28	26 30 26	22 27 22
8'	22 24 22	22 25 22	20 22 20
9'	16 18 16	19 20 19	17 19 17
10'	13 14 13	15 17 15	14 15 14
11'	10 11 10	12 13 12	11 12 11
12'	8 8 8	10 11 10	9 10 9

Example: Two luminaires located 3' from wall and spaced 3' on center, the illumination on the wall 3' down from ceiling will be 28fc beneath units and 38fc between units



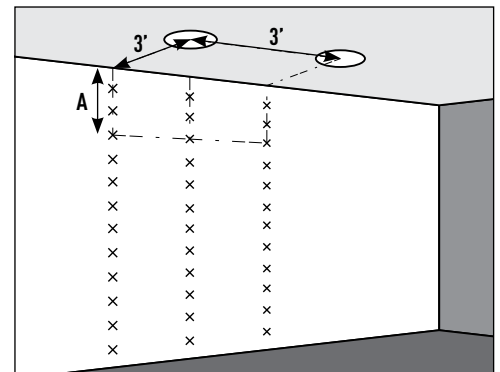
GD6WRL130 / IRW600HZ

Report #: ILL10282015-01
 Reflector Finish: Haze
 Luminaire Watts: 34W
 Luminaire Lumens: 2468lm
 Lumens Per Watt: 72
 Color Temperature: 3000K
 Color Rendering Index: 82

Emergency Multipliers:
 7W Emergency (x 0.22)
 20W Emergency (x 0.63)

(A) Distance From Ceiling	3' From Wall On 3' Centers	4' From Wall On 3' Centers	4' From Wall On 4' Centers
	□ 3' □	□ 3' □	□ 4' □
1'	1 1 1	0 0 0	0 0 0
2'	7 6 7	1 1 1	1 1 1
3'	38 51 38	9 12 9	8 7 8
4'	54 76 54	25 40 25	21 29 21
5'	55 67 55	36 51 36	29 41 29
6'	48 54 48	38 47 38	31 41 31
7'	38 42 38	35 40 35	30 36 30
8'	29 32 29	30 33 30	27 30 27
9'	22 24 22	25 27 25	23 25 23
10'	17 18 17	20 22 20	19 20 19
11'	13 14 13	17 18 17	15 17 15
12'	10 11 10	14 15 14	12 14 12

Example: Two luminaires located 3' from wall and spaced 3' on center, the illumination on the wall 3' down from ceiling will be 38fc beneath units and 51fc between units



Multipliers: 2700K / 82 CRI (x 0.93); 2700K / 92 CRI (x 0.74); 3000K / 82 CRI (x 1.00); 3000K / 92 CRI (x 0.79); 3500K / 82 CRI (x 1.03); 4100K / 82 CRI (x 1.04)

6" Gravity LED Wall Wash Photometrics

JOB NAME		CATALOG NUMBER	
NOTES		TYPE	

GD6WRL230 / IRW600HZ

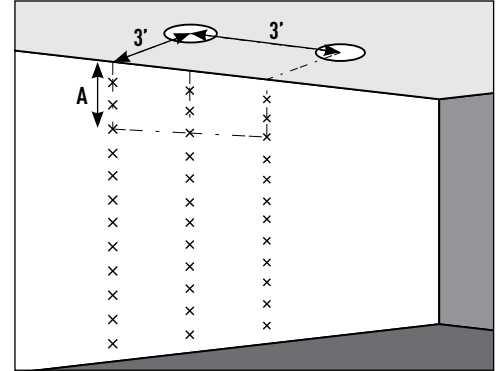
Report #: ILL10282015-02
 Reflector Finish: Haze
 Luminaire Watts: 45W
 Luminaire Lumens: 2997lm
 Lumens Per Watt: 66
 Color Temperature: 3000K
 Color Rendering Index: 82

Emergency Multipliers:

7W Emergency (x 0.18)
 20W Emergency (x 0.52)

(A) Distance From Ceiling	3' From Wall On 3' Centers	4' From Wall On 3' Centers	4' From Wall On 4' Centers
	□ 3' □	□ 3' □	□ 4' □
1'	1 1 1	1 1 1	0 0 0
2'	9 8 9	1 2 1	1 1 1
3'	46 62 46	10 14 10	10 9 10
4'	65 92 65	31 49 31	26 35 26
5'	67 82 67	43 61 43	35 50 35
6'	58 65 58	46 57 46	38 50 38
7'	46 50 46	43 49 43	37 44 37
8'	35 38 35	36 41 36	33 37 33
9'	27 29 27	30 33 30	27 30 27
10'	21 22 21	25 27 25	23 25 23
11'	16 17 16	20 22 20	19 20 19
12'	13 14 13	16 18 16	15 16 15

Example: Two luminaires located 3' from wall and spaced 3' on center, the illumination on the wall 3' down from ceiling will be 46fc beneath units and 62fc between units



GD6WRL330 / IRW600HZ

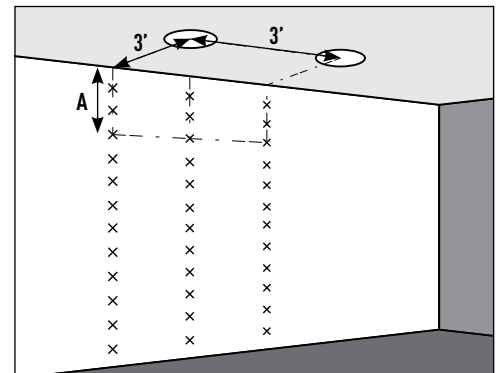
Report #: ILL10282015-03
 Reflector Finish: Haze
 Luminaire Watts: 63W
 Luminaire Lumens: 4479lm
 Lumens Per Watt: 72
 Color Temperature: 3000K
 Color Rendering Index: 82

Emergency Multipliers:

7W Emergency (x 0.12)
 20W Emergency (x 0.35)

(A) Distance From Ceiling	3' From Wall On 3' Centers	4' From Wall On 3' Centers	4' From Wall On 4' Centers
	□ 3' □	□ 3' □	□ 4' □
1'	2 2 2	1 1 1	1 1 1
2'	20 16 20	4 4 4	3 3 3
3'	74 91 74	21 27 21	19 17 19
4'	105 132 105	49 70 49	42 51 42
5'	99 120 99	68 87 68	57 72 57
6'	81 93 81	70 84 70	59 73 59
7'	63 70 63	62 71 62	54 64 54
8'	48 52 48	52 57 52	46 53 46
9'	36 39 36	42 45 42	38 42 38
10'	28 29 28	34 36 34	31 34 31
11'	22 23 22	27 29 27	25 27 25
12'	17 18 17	22 23 22	20 22 20

Example: Two luminaires located 3' from wall and spaced 3' on center, the illumination on the wall 3' down from ceiling will be 74fc beneath units and 91fc between units



GD6WRL430 / IRW600HZ

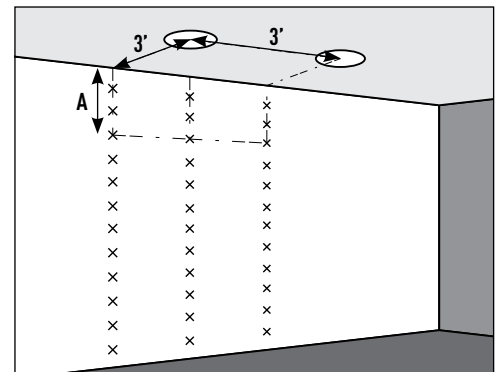
Report #: ILL10282015-04
 Reflector Finish: Haze
 Luminaire Watts: 79W
 Luminaire Lumens: 5313lm
 Lumens Per Watt: 68
 Color Temperature: 3000K
 Color Rendering Index: 82

Emergency Multipliers:

7W Emergency (x 0.10)
 20W Emergency (x 0.29)

(A) Distance From Ceiling	3' From Wall On 3' Centers	4' From Wall On 3' Centers	4' From Wall On 4' Centers
	□ 3' □	□ 3' □	□ 4' □
1'	3 3 3	1 1 1	1 1 1
2'	24 19 24	4 5 4	4 4 4
3'	88 108 88	24 32 24	22 20 22
4'	124 156 124	58 82 58	49 61 49
5'	118 142 118	81 104 81	67 85 67
6'	96 111 96	83 99 83	70 86 70
7'	74 83 74	74 84 74	64 75 64
8'	57 61 57	62 68 62	54 62 54
9'	43 46 43	50 54 50	45 50 45
10'	33 35 33	40 43 40	37 40 37
11'	26 27 26	32 34 32	30 32 30
12'	20 21 20	26 27 26	24 26 24

Example: Two luminaires located 3' from wall and spaced 3' on center, the illumination on the wall 3' down from ceiling will be 88fc beneath units and 108fc between units



Multipliers: 2700K / 82 CRI (x 0.93); 2700K / 92 CRI (x 0.74); 3000K / 82 CRI (x 1.00); 3000K / 92 CRI (x 0.79); 3500K / 82 CRI (x 1.03); 4100K / 82 CRI (x 1.04)

6" Gravity LED Wall Wash Photometrics

JOB NAME		CATALOG NUMBER	
NOTES		TYPE	

GD6WRL530 / IRW600HZ

Report #: ILL10282015-05

Reflector Finish: Haze

Luminaire Watts: 88W

Luminaire Lumens: 5707lm

Lumens Per Watt: 65

Color Temperature: 3000K

Color Rendering Index: 82

Emergency Multipliers:

7W Emergency (x 0.10)

20W Emergency (x 0.27)

(A) Distance From Ceiling	3' From Wall On 3' Centers	4' From Wall On 3' Centers	4' From Wall On 4' Centers
1'	3 3 3	1 1 1	1 1 1
2'	25 21 25	5 6 5	4 4 4
3'	94 115 94	26 34 26	24 22 24
4'	133 167 133	62 88 62	53 65 53
5'	126 152 126	86 111 86	72 91 72
6'	103 120 103	89 106 89	75 92 75
7'	80 89 80	80 90 80	68 81 68
8'	61 66 61	66 73 66	58 67 58
9'	46 49 46	54 58 54	48 54 48
10'	35 38 35	43 46 43	39 43 39
11'	28 29 28	35 36 35	32 34 32
12'	22 23 22	28 29 28	26 28 26

Example: Two luminaires located 3' from wall and spaced 3' on center, the illumination on the wall 3' down from ceiling will be 94fc beneath units and 115fc between units

