

# SD4WS / ICS437

4" SD LED Square Wall Wash

JOB NAME		CATALOG NUMBER	
NOTES		TYPE	

## ELECTRICAL DATA

LED Light Engine	System Wattage* @ 120V	CCT	Nominal Delivered Lumens**	Efficacy
L0	8W	3500K	600 lm	75 lm/W
L1	10W	3500K	800 lm	80 lm/W
L2	14W	3500K	1200 lm	93 lm/W
L3	19W	3500K	1600 lm	89 lm/W
L4	23W	3500K	2000 lm	91 lm/W
L5	28W	3500K	2400 lm	93 lm/W
L6	33W	3500K	2800 lm	88 lm/W
L7	38W	3500K	3200 lm	89 lm/W

\*System Wattage includes driver and LED Module consumption. | \*\*Delivered lumen output will vary depending on CCT selection.

## LED MODULE

- 80/90 CRI at 2700K, 3000K, 3500K, 4000K with 2 SDCM
- 70% lumen maintenance at 50,000 hours
- Performance wall wash provides even illumination

## ELECTRICAL SYSTEM

- Dedicated voltage options of 120V, 277V or 347V must be specified in catalog code.
- Phase dimming available in 120V only
- 347V available with Osram 0-10V 1% Dimming only

## OPTICAL SYSTEM

- Soft diffuse spread lens provides uniform light levels and distribution at up to 4 feet on center
- Reflector available in haze
- Architectural, discrete self flange standard. Optional painted white flange is available

## EMERGENCY BACKUP

External battery operates LED load of up to 7W at a minimum of 500 lumens for 90 minutes (EM7), or 20W at a minimum of 1450 lumens for 90 minutes (EM20).

## DIMMING

- 0-10V Dimming 1%
- Phase Dimming 120V only, Forward 1% / Reverse 5%
- EldoLED 0-10V 0.1% or 1%
- Lutron® LDE1 Hi-Lume 1% EcoSystem LED driver with Soft-on, Fade-to-Black dimming technology
- DMX512 RDM 0.1%

## FRAME CONSTRUCTION

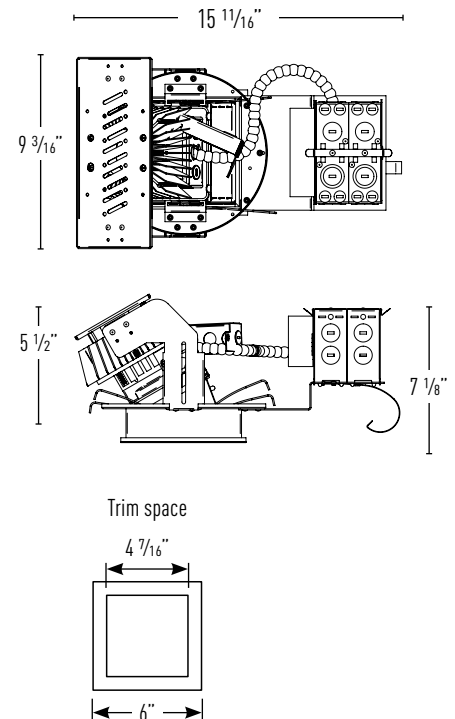
Heavy duty galvanized steel frame with a large access junction box. ETL listed for through wiring. LED light engine and driver are accessible from above or below ceiling.

## INSTALLATION

The luminaire is type Non-IC. Insulation must be kept at a minimum of 3" away from fixture. Universal mounting brackets included. Compatible with C-channel, flat bar, wood joist bar hanger and EMT. Bar hangers must be ordered separately. C-channel is recommended for T-bar ceilings. Maximum ceiling thickness is 1 1/4". Max. ambient temperature: 95°F (35°C).

## LISTING/WARRANTY

- ETL listed to US and Canadian standards for damp locations.
- 5-Year Intense LED Limited Warranty



Ceiling cut out: 5 5/8" x 5 5/8"  
Maximum ceiling thickness: 1 1/4"

## Housing Part Number (Example: SD4WSL4359-D101EM7)

Housing	LED Module	CCT / CRI	Dimming	Voltage	Options
SD4WS	L0 <sup>1</sup> (8W)	27 (2700K / 80 CRI)	-D101 (Osram 0-10V 1%)	blank (120V)	EM7 (7W Emergency Backup with Remote Test Switch)
	L1 (10W)	279 (2700K / 90 CRI)	-DIM <sup>3,4</sup> (Phase Dimming)	27 (277V)	EM20 <sup>8</sup> (20W Emergency Backup with Remote Test Switch)
	L2 (14W)	30 (3000K / 80 CRI)	-ED10V1 (eldoLED 0-10V 1%)	347 (347V)	
	L3 (19W)	309 (3000K / 90 CRI)	-ED10V01 (eldoLED 0-10V 0.1%)		
	L4 (23W)	35 (3500K / 80 CRI)	-LUT <sup>5</sup> (Lutron® LDE1 EcoSystem 1%)		
	L5 (28W)	359 (3500K / 90 CRI)	-DMXR <sup>6</sup> (DMX512 RDM 0.1%)		
	L6 (33W)	40 (4000K / 80 CRI)			
	L7 <sup>2</sup> (38W)	409 (4000K / 90 CRI)			

## Reflector Part Number (Example: ICS437HZ-SF)

Reflector	Reflector / Flange Finish
ICS437	HZ-SF (Haze, Self-Flanged)
	HZ-SFW (Haze, Self-Flanged White)

## Accessories

I100	(C-Channel Bar Hangers)
I200	(Flat Bar Hangers)
I400	(Wood Joist Bar Hangers)

## Notes:

- L0 only available with -D101
- 347V Not available with L7 option
- Not available in L1 or L2
- Not available in 277V
- Lutron not available in L1 or L7
- DMX512 RDM not available in L1 or L2
- 347V only available with Osram 0-10V 1% Dimming
- 20W emergency not available in L1, L2 or L3

# SD4WS / ICS437

4" SD LED Square Wall Wash

JOB NAME		CATALOG NUMBER	
NOTES		TYPE	

Electrical Table					
Lumen Package	Voltage	Wattage	VA	Input Current	Power Factor
L0	120	7.43	7.99	0.07	0.930
	277	8.41	11.87	0.04	0.709
L1	120	9.75	10.37	0.09	0.94
	277	10.82	14.18	0.05	0.76
L2	120	13.71	14.35	0.12	0.96
	277	14.85	18.06	0.07	0.82
L3	120	18.27	18.54	0.15	0.99
	277	19.77	22.92	0.08	0.86
L4	120	22.74	23.04	0.19	0.99
	277	24.09	27.31	0.10	0.88
L5	120	27.18	27.44	0.23	0.99
	277	28.93	32.00	0.12	0.90
L6	120	32.76	32.84	0.27	1.00
	277	34.09	36.72	0.13	0.93
L7	120	37.71	37.79	0.31	1.00
	277	38.86	41.77	0.15	0.93

# SD4WS / ICS437

4" SD LED Square Wall Wash

JOB NAME		CATALOG NUMBER	
NOTES		TYPE	

# SD4WSL1358 /IC437HZ

Test Number: 20180419-3.006

Lumens: 796 lm

Watts: 10W

Efficacy: 79.6 lm/w

**CCT MULTIPLIERS:**

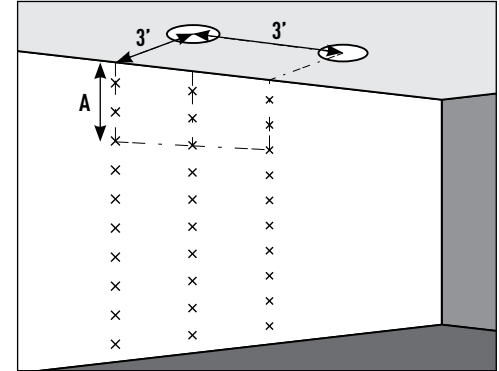
	80 CRI	90 CRI
2700K	(x 0.92)	(x 0.79)
3000K	(x 0.98)	(x 0.79)
3500K	(x 1.00)	(x 0.82)
4000K	(x 1.01)	(x 0.84)

**FINISH MULTIPLIERS:**

Clear	(x 1.00)
Haze	(x 0.96)
White	(x .097)

Distance From Ceiling	2' From Wall On 3' Centers	3' From Wall On 3' Centers	3' From Wall On 4' Centers
	□ 3' □	□ 3' □	□ 4' □
1'	12 6 12	1 1 1	1 1 1
2'	61 49 61	18 20 18	16 12 16
3'	42 42 42	37 37 37	29 27 29
4'	27 26 27	32 32 32	24 24 24
5'	17 17 17	24 24 24	18 18 18
6'	11 11 11	17 17 17	13 13 13
7'	7 8 7	12 12 12	10 10 10
8'	5 5 5	9 9 9	7 7 7
9'	4 4 4	6 6 6	5 5 5
10'	3 3 3	5 5 5	4 4 4
11'	2 2 2	4 4 4	3 3 3
12'	2 2 2	3 3 3	2 3 2
13'	1 1 1	2 2 2	2 2 2
14'	1 1 1	2 2 2	2 2 2

Example: Two luminaires located 3' from wall and spaced 3' on center, the illumination on the wall 3' down from ceiling will be 68fc beneath units and 61fc between units



# SD4WSL2358 /IC437HZ

Test Number: 20180419-3.006

Lumens: 1194 lm

Watts: 14W

Efficacy: 85.3 lm/w

**CCT MULTIPLIERS:**

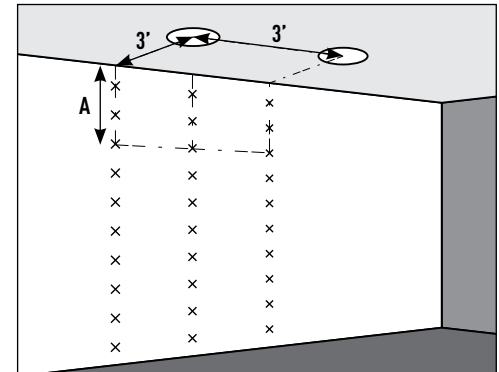
	80 CRI	90 CRI
2700K	(x 0.92)	(x 0.79)
3000K	(x 0.98)	(x 0.79)
3500K	(x 1.00)	(x 0.82)
4000K	(x 1.01)	(x 0.84)

**FINISH MULTIPLIERS:**

Clear	(x 1.00)
Haze	(x 0.96)
White	(x .097)

Distance From Ceiling	2' From Wall On 3' Centers	3' From Wall On 3' Centers	3' From Wall On 4' Centers
	□ 3' □	□ 3' □	□ 4' □
1'	17 9 17	2 2 2	1 2 1
2'	92 74 92	27 29 27	25 17 25
3'	64 63 64	55 56 55	43 40 43
4'	40 39 40	48 48 48	36 36 36
5'	25 25 25	36 35 36	27 27 27
6'	16 17 16	25 26 25	20 20 20
7'	11 11 11	18 18 18	14 14 14
8'	8 8 8	13 13 13	11 11 11
9'	6 6 6	9 10 9	8 8 8
10'	4 4 4	7 7 7	6 6 6
11'	3 3 3	5 5 5	5 5 5
12'	2 2 2	4 4 4	4 4 4
13'	2 2 2	3 3 3	3 3 3
14'	2 2 2	3 3 3	2 2 2

Example: Two luminaires located 3' from wall and spaced 3' on center, the illumination on the wall 3' down from ceiling will be 68fc beneath units and 61fc between units



# SD4WS / ICS437

4" SD LED Square Wall Wash

JOB NAME		CATALOG NUMBER	
NOTES		TYPE	

## SD4WSL3358 /IC437HZ

Test Number: 20180419-3.006

Lumens: 1590lm

Watts: 19W

Efficacy: 83.7 lm/w

**CCT MULTIPLIERS:**

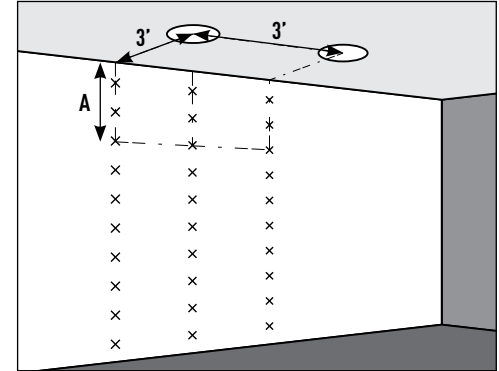
	80 CRI	90 CRI
2700K	(x 0.92)	(x 0.79)
3000K	(x 0.98)	(x 0.79)
3500K	(x 1.00)	(x 0.82)
4000K	(x 1.01)	(x 0.84)

**FINISH MULTIPLIERS:**

Clear	(x 1.00)
Haze	(x 0.96)
White	(x .097)

Distance From Ceiling	2' From Wall On 3' Centers			3' From Wall On 3' Centers			3' From Wall On 4' Centers		
	□	3'	□	□	3'	□	□	4'	□
1'	23	12	23	2	3	2	2	2	2
2'	122	98	122	37	39	37	33	23	33
3'	85	84	85	73	74	73	58	53	58
4'	53	52	53	64	64	64	48	48	48
5'	34	33	34	47	47	47	36	36	36
6'	22	22	22	33	34	33	26	26	26
7'	15	15	15	24	24	24	19	19	19
8'	10	11	10	17	18	17	14	14	14
9'	7	8	7	13	13	13	11	11	11
10'	6	6	6	9	10	9	8	8	8
11'	4	4	4	7	7	7	6	6	6
12'	3	3	3	6	6	6	5	5	5
13'	3	3	3	4	4	4	4	4	4
14'	2	2	2	3	4	3	3	3	3

Example: Two luminaires located 3' from wall and spaced 3' on center, the illumination on the wall 3' down from ceiling will be 68fc beneath units and 61fc between units



## SD4WSL4358 /IC437HZ

Test Number: 20180419-3.006

Lumens: 1988lm

Watts: 23W

Efficacy: 86.4 lm/w

**CCT MULTIPLIERS:**

	80 CRI	90 CRI
2700K	(x 0.92)	(x 0.79)
3000K	(x 0.98)	(x 0.79)
3500K	(x 1.00)	(x 0.82)
4000K	(x 1.01)	(x 0.84)

**FINISH MULTIPLIERS:**

Clear	(x 1.00)
Haze	(x 0.96)
White	(x .097)

Distance From Ceiling	2' From Wall On 3' Centers			3' From Wall On 3' Centers			3' From Wall On 4' Centers		
	□	3'	□	□	3'	□	□	4'	□
1'	29	15	29	3	3	3	2	3	2
2'	153	122	153	46	49	46	41	29	41
3'	106	105	106	91	93	91	72	66	72
4'	67	65	67	80	80	80	60	60	60
5'	42	42	42	59	59	59	46	45	46
6'	27	28	27	42	42	42	33	33	33
7'	18	19	18	30	30	30	24	24	24
8'	13	13	13	21	22	21	18	18	18
9'	9	10	9	16	16	16	13	14	13
10'	7	7	7	12	12	12	10	10	10
11'	5	5	5	9	9	9	8	8	8
12'	4	4	4	7	7	7	6	6	6
13'	3	3	3	5	6	5	5	5	5
14'	3	3	3	4	4	4	4	4	4

Example: Two luminaires located 3' from wall and spaced 3' on center, the illumination on the wall 3' down from ceiling will be 68fc beneath units and 61fc between units

