

SS4G4DR / IC430

4" SS LED Downlight Gen 4

JOB NAME		CATALOG NUMBER	
NOTES		TYPE	

ELECTRICAL DATA

LED Light Engine	System Wattage *		CCT	Nominal Delivered Lumens **
	120-277V	347V		
L1	9W	9.7W	3500K	1000lm
L2	13W	14.5W	3500K	1500lm
L3	17W	19.5W	3500K	2000lm

* System Wattage includes driver and LED Module consumption. | ** Delivered lumen output will vary depending on CCT selection.

LED MODULE

- Powered by OSRAM high performance LED engine
- 50,000 hours at 70% lumen maintenance
- 80 CRI at 2700K, 3000K, 3500K, 4000K

ELECTRICAL SYSTEM

- Universal voltage 120-277V when specified with Osram 0-10V 1% option only
- eldoLED, Lutron and DMX Dimming must specify voltage
- Phase dimming available in 120V only
- 347V available with Osram 0-10V 1% Dimming only
- Power factor >.9, 50/60Hz

EMERGENCY BACKUP

External battery operates LED load of up to 7W at a minimum of 800 lumens for 90 minutes (EM7). Available with remote or integral test switch, must specify.

OPTICAL SYSTEM

Specification grade reflector with 1.2mm thickness. Architectural, discrete polished self flange standard. Optional painted white flange is available. Meets RP-1 requirements with controlled light distribution at a 55° cut off.

DIMMING

- 0-10V Dimming 1%
- Forward/Reverse Phase Dimming 1% (120V only)
- EldoLED 0-10V 0.1% or 1%
- Lutron® LDE1 Hi-Lume 1% EcoSystem LED driver with Soft-on, Fade-to-Black dimming technology
- Lutron® LDE5 5-Series EcoSystem LED driver
- DMX512 RDM 0.1%

FRAME CONSTRUCTION

Heavy duty galvanized steel frame with a large access junction box. ETL listed for through wiring. LED light engine and driver are accessible from above or below ceiling.

INSTALLATION

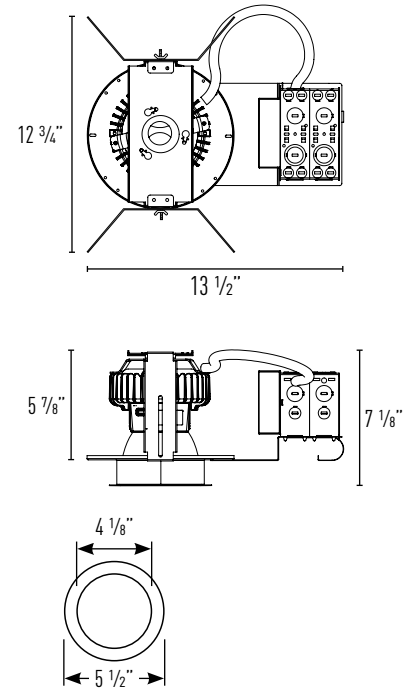
The luminaire is type Non-IC. Insulation must be kept at a minimum of 3" away from fixture. Universal mounting brackets included. Compatible with C-channel, flat bar, wood joist bar hanger and EMT. Bar hangers must be ordered separately. C-channel is recommended for T-bar ceilings. Maximum ceiling thickness is 1 1/4".

END-OF-LIFE INDICATOR

Optional end-of-life indicator helps the end user to receive a signal from the fixture indicating that it has reached its programmed life-time. After the LED driver reaches the programmed life-time, whenever it is turned ON, it stays at 'Dim' level (10%) for 10 minutes and then reaches its appropriate level.

LISTING/WARRANTY

- ETL listed to US and Canadian standards for damp locations.
- 5-Year Intense LED Limited Warranty



Ceiling Cut Out: 4 3/4"
Maximum Ceiling Thickness: 1 1/4"

Housing Part Number (Example: SS4G4DRL3358)

Housing	LED Module	CCT / CRI	Dimming	Voltage	Options	
SS4G4DR	L1 (9 Watts)	278 (2700K / 80 CRI)	blank (Osram 0-10V 1%)	blank (Universal 120/277V)	EM7 (7W Emergency Backup with Remote Test Switch)	
	L2 (13 Watts)	308 (3000K / 80 CRI)		34 ⁵ (347V)	EM7T (7W Emergency Unit with Integral Test Switch)	
	L3 (17 Watts)	358 (3500K / 80 CRI)	▼ Not available with universal voltage, must specify blank (120V) or 27 (277V) ▼			EOL (End-of-Life Indicator at 50,000 hours)
		408 (4000K / 80 CRI)	-DIM ^{1,2} (Phase Dimming)	blank (120V)	1100 (C-Channel Bar Hangers)	
		-ED10V1 (eldoLED 0-10V 1%)	27 (277V)	1200 (Flat Bar Hangers)		
		-ED10V01 (eldoLED 0-10V 0.1%)		1400 (Wood Joist Bar Hangers)		
		-LUT ³ (Lutron® LDE1 EcoSystem 1%)				
		-LUT5 ³ (Lutron® LDE5 EcoSystem 5%)				
		-DMXR ⁴ (DMX512 RDM 0.1%)				

Reflector Part Number (Example: IC430HZ-SF)

Reflector	Reflector Finish	Trim	Option
IC430	C (Clear)	-SF (Self-Flanged)	EM7T (Integral Test Switch)
	HZ (Haze)	-SF (Self-Flanged White)	
	W (White)		

Notes:

- Not available in L1 & L2
- Not available in 277V
- Lutron not available in L1
- DMX512 RDM not available in L1 & L2
- 347V only available with Osram 0-10V 1% Dimming

SS-DOWNLIGHTING L/M-0318;26 P-1

INTENSE LIGHTING | 725 Landwehr Road, Northbrook, IL 60062 | tel 714 630-9877

For Intense Lighting's limited product warranty, go to www.intenselighting.com. For a printed copy of the warranty, you may call 847 559.5500.

© 2026 Intense Lighting, LLC. All rights reserved. Note: This document is subject to change without notice.

SS4G4DR / IC430

4" SS LED Downlight Gen 4

JOB NAME		CATALOG NUMBER	
NOTES		TYPE	

SS4G4DRL1358 / IC430C

Test Number: 20180614-7.001

Lumens: 1015.4lm

Watts: 8.6W

Efficacy: 118 lm/w

Distance to Floor (Feet)	Footcandles at Nadir	Beam Diameter (Feet)
6'	22.8fc	6' 6"
8'	12.8fc	8' 8"
10'	8.2fc	11'
12'	5.7fc	13' 2"

Candela Distribution

Angle	Candela
0°	821
5°	828
15°	874
25°	834
35°	455
45°	50

Zonal Lumen Summary

Zone	Lumens	%Fixture
0-30	703	69
0-40	963	95
0-60	1,013	100
60-90	3	.3
0-90	1,015	100

L1 LED Module - CCT Multipliers:

2700K (x 1.00), 3000K (x 1.00), 3500K (x 1.00), 4000K (x 1.08)

SS4G4DRL2358 / IC430C

Test Number: 20180614-7.002

Lumens: 1521.1lm

Watts: 12.8W

Efficacy: 119 lm/w

Distance to Floor (Feet)	Footcandles at Nadir	Beam Diameter (Feet)
6'	34.2fc	6' 6"
8'	19.2fc	8' 8"
10'	12.3fc	11'
12'	8.55fc	13' 2"

Candela Distribution

Angle	Candela
0°	123
5°	1241
15°	130
25°	1248
35°	636
45°	74

Zonal Lumen Summary

Zone	Lumens	%Fixture
0-30	1,053	69
0-40	1,443	95
0-60	1,517	100
60-90	4	.3
0-90	1,521	100

L2 LED Module - CCT Multipliers:

2700K (x 0.95), 3000K (x 0.97), 3500K (x 1.00), 4000K (x 1.03)

SS4G4DRL3358 / IC430C

Test Number: 20180614-7.003

Lumens: 2026.7lm

Watts: 17.2

Efficacy: 118 lm/w

Distance to Floor (Feet)	Footcandles at Nadir	Beam Diameter (Feet)
6'	45.5fc	6' 6"
8'	25.6fc	8' 8"
10'	16.4fc	11'
12'	11.4fc	13' 2"

Candela Distribution

Angle	Candela
0°	1640
5°	1653
15°	1744
25°	1663
35°	847
45°	100

Zonal Lumen Summary

Zone	Lumens	%Fixture
0-30	1,403	69
0-40	1,923	95
0-60	2,021	100
60-90	5.7	.3
0-90	2,026	100

L3 LED Module - CCT Multipliers:

2700K (x 0.97), 3000K (x 0.97), 3500K (x 1.00), 4000K (x 1.03)