

# SS6G4DR / IC630

6" SS LED Downlight Gen 4

JOB NAME		CATALOG NUMBER	
NOTES		TYPE	

## ELECTRICAL DATA

LED Light Engine	System Wattage *		CCT	Nominal Delivered Lumens **
	120-277V	347V		
L1	9W	9.7W	3500K	1000lm
L2	13W	14.5W	3500K	1500lm
L3	17W	19.5W	3500K	2000lm

\* System Wattage includes driver and LED Module consumption. | \*\* Delivered lumen output will vary depending on CCT selection.

## LED MODULE

- Powered by OSRAM high performance LED engine
- 50,000 hours at 70% lumen maintenance
- 80 CRI at 2700K, 3000K, 3500K, 4000K

## ELECTRICAL SYSTEM

- Universal voltage 120-277V when specified with Osram 0-10V 1% option only
- eldoLED, Lutron and DMX Dimming must specify voltage
- Phase dimming available in 120V only
- 347V available with Osram 0-10V 1% Dimming only
- Power factor >.9, 50/60Hz

## EMERGENCY BACKUP

External battery operates LED load of up to 7W at a minimum of 850 lumens for 90 minutes (EM7). Available with remote or integral test switch, must specify.

## OPTICAL SYSTEM

Specification grade reflector with 1.2mm thickness. Reflector available in clear specular, haze or white. Architectural, discrete polished self flange standard. Optional painted white flange is available. Meets RP-1 requirements with controlled light distribution at a 55° cut off.

## DIMMING

- 0-10V Dimming 1%
- Forward/Reverse Phase Dimming 1% (120V only)
- EldoLED 0-10V 0.1% or 1%
- Lutron® LDE1 Hi-Lume 1% EcoSystem LED driver with Soft-on, Fade-to-Black dimming technology
- Lutron® LDE5 5-Series EcoSystem LED driver
- DMX512 RDM 0.1%

## FRAME CONSTRUCTION

Heavy duty galvanized steel frame with a large access junction box. ETL listed for through wiring. LED light engine and driver are accessible from above or below ceiling.

## INSTALLATION

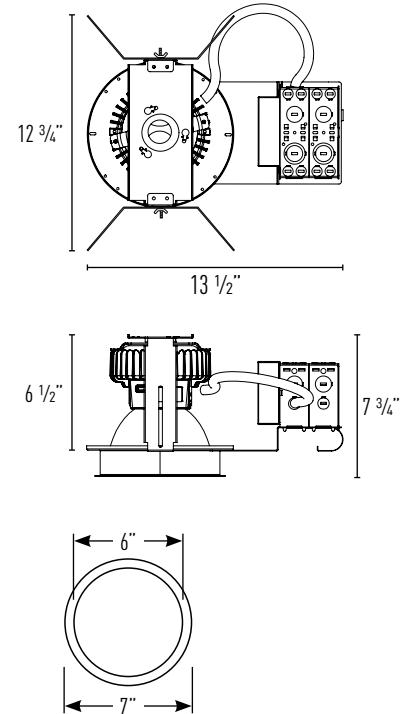
The luminaire is type Non-IC. Insulation must be kept at a minimum of 3" away from fixture. Universal mounting brackets included. Compatible with C-channel, flat bar, wood joist bar hanger and EMT. Bar hangers must be ordered separately. C-channel is recommended for T-bar ceilings. Maximum ceiling thickness is 1 1/4".

## END-OF-LIFE INDICATOR

Optional end-of-life indicator helps the end user to receive a signal from the fixture indicating that it has reached its programmed life-time. After the LED driver reaches the programmed life-time, whenever it is turned ON, it stays at 'Dim' level (10%) for 10 minutes and then reaches its appropriate level.

## LISTING/WARRANTY

- ETL listed to US and Canadian standards for damp locations.
- 5-Year Intense LED Limited Warranty



Ceiling Cut Out: 6 1/2"  
Maximum Ceiling Thickness: 1 1/4"

## Housing Part Number (Example: SS6G4DRL3358)

Housing	LED Module	CCT / CRI	Dimming	Voltage	Options	
SS6G4DR	L1 (9 Watts)	278 (2700K / 80 CRI)	blank (Osram 0-10V 1%)	blank (Universal 120/277V)	EM7 (7W Emergency Backup with Remote Test Switch)	
	L2 (13 Watts)	308 (3000K / 80 CRI)		34 <sup>5</sup> (347V)	EM7T (7W Emergency Unit with Integral Test Switch)	
	L3 (17 Watts)	358 (3500K / 80 CRI)	▼ Not available with universal voltage, must specify blank (120V) or 27 (277V) ▼			EOL (End-of-Life Indicator at 50,000 hours)
		408 (4000K / 80 CRI)	-DIM <sup>1,2</sup> (Phase Dimming)	blank (120V)		I100 (C-Channel Bar Hangers)
		-ED10V1 (eldoLED 0-10V 1%)	27 (277V)		I200 (Flat Bar Hangers)	
		-ED10V01 (eldoLED 0-10V 0.1%)			I400 (Wood Joist Bar Hangers)	
		-LUT <sup>3</sup> (Lutron® LDE1 EcoSystem 1%)				
		-LUT5 <sup>3</sup> (Lutron® LDE5 EcoSystem 5%)				
		-DMXR <sup>4</sup> (DMX512 RDM 0.1%)				

## Reflector Part Number (Example: IC630HZ-SF)

Reflector	Reflector Finish	Trim	Option
IC630	C (Clear)	-SF (Self Flanged)	EM7T (Integral Test Switch)
	HZ (Haze)	-SFW (Self Flanged White)	
	W (White)		

- Notes:**
- Not available in L1 & L2
  - Not available in 277V
  - Lutron not available in L1
  - DMX512 RDM not available in L1 & L2
  - 347V only available with Osram 0-10V 1% Dimming

SS-DOWNLIGHTING L1/M-0318;26 P.5

INTENSE LIGHTING | 725 Landwehr Road, Northbrook, IL 60062 | tel 714 630-9877

For Intense Lighting's limited product warranty, go to [www.intenselighting.com](http://www.intenselighting.com). For a printed copy of the warranty, you may call 847 559.5500.

© 2026 Intense Lighting, LLC. All rights reserved. Note: This document is subject to change without notice.

# SS6G4DR / IC630

6" SS LED Downlight Gen 4

JOB NAME		CATALOG NUMBER	
NOTES		TYPE	

## SS6G4DRL1358 / IC630C

Test #: ILL-20170223-01.001  
 Lumens: 1012.1lm  
 Watts: 8.6W  
 Efficacy: 117 lm/w

Distance to Floor (Feet)	Footcandles at Nadir	Beam Diameter (Feet)
6'	36.7fc	5' 7"
8'	20.7fc	7' 6"
10'	13.2fc	9' 6"
12'	9.2fc	11' 5"

### Candela Distribution

Angle	Candela
0°	1322
5°	1299
15°	1106
25°	684
35°	335
45°	66

### Zonal Lumen Summary

Zone	Lumens	%Fixture
0-30	743	73
0-40	951	94
0-60	1,010	100
60-90	2	.2
0-90	1,012	100

#### L1 LED Module - CCT Multipliers:

2700K (x 1.00), 3000K (x 1.00), 3500K (x 1.00), 4000K (x 1.08)

## SS6G4DRL2358 / IC630C

Test #: ILL-20170223-01.002  
 Lumens: 1520.2lm  
 Watts: 12.8W  
 Efficacy: 118 lm/w

Distance to Floor (Feet)	Footcandles at Nadir	Beam Diameter (Feet)
6'	55.2fc	5' 7"
8'	31fc	7' 6"
10'	19.9fc	9' 6"
12'	13.8fc	11' 5"

### Candela Distribution

Angle	Candela
0°	1986
5°	1951
15°	1661
25°	1028
35°	503
45°	99

### Zonal Lumen Summary

Zone	Lumens	%Fixture
0-30	1,116	73
0-40	1,428	94
0-60	1,517	100
60-90	4	.2
0-90	1,520	100

#### L2 LED Module - CCT Multipliers:

2700K (x 0.95), 3000K (x 0.97), 3500K (x 1.00), 4000K (x 1.03)

## SS6G4DRL3358 / IC630C

Test #: ILL-20170223-01.003  
 Lumens: 2024.2lm  
 Watts: 17.2W  
 Efficacy: 117 lm/w

Distance to Floor (Feet)	Footcandles at Nadir	Beam Diameter (Feet)
6'	73.5fc	5' 7"
8'	41.3fc	7' 6"
10'	26.4fc	9' 6"
12'	18.4fc	11' 5"

### Candela Distribution

Angle	Candela
0°	2645
5°	2598
15°	2211
25°	1369
35°	670
45°	132

### Zonal Lumen Summary

Zone	Lumens	%Fixture
0-30	1,486	73
0-40	1,901	94
0-60	2,019	100
60-90	5	.2
0-90	2,024	100

#### L3 LED Module - CCT Multipliers:

2700K (x 0.97), 3000K (x 0.97), 3500K (x 1.00), 4000K (x 1.03)