

LC4 / LD4D-DG

4" LC Warm Dim Fire-Rated Downlight with Drop Lens

JOB NAME		CATALOG NUMBER	
NOTES		TYPE	

ELECTRICAL DATA

LED Light Engine	System Wattage *	CCT / CRI	Nominal Delivered Lumens **
L4	14W	3000K to 1800K / 92CRI	1150lm

*System Wattage includes driver & LED Module consumption / **Delivered Lumen output will vary depending on CCT, CRI & finish

FEATURES

- 2-Hour Fire Resistance tested and rated, cETLus Listed
- Type IC and CCEA rated for Chicago Plenum
- Concrete pour option available
- Single housing design accepts both round and square trims

LED LIGHT ENGINE

- Warm Dim 3000K to 1800K at 92CRI
- 2 SDCM (2-Step MacAdam)
- 50,000 hours L70 (rated life at 70% output)

ELECTRICAL SYSTEM

- Universal 120V - 277V input
- This product complies with IEEE C62.41 for surge endurance up to 2.5KV
- Additional surge protection recommended
- Damage from power surge is not covered by warranty

HOUSING

- 16 gauge galvanized steel
- Type IC and Chicago Plenum rated
- Concrete pour option (includes mounting tabs)

DIMMING

- Phase and 0-10V dimming available via single driver
- Forward/reverse phase dimming (120V only)
- 0-10V 5% dimming
- For alternate dimming options see LC4F Downlight specification sheet

TRIM ASSEMBLY

- Die-cast trim and heat sink assembly with quick connect for easy installation.
- High optical transparency diffusion lens
- Wet location listed

INSTALLATION

- Fixture includes adjustable bar hangers (14"-24") for wood joist or T-bar ceiling installations
- Accommodates ceilings with a 1/2" to 1-1/2" thickness
- Maximum ambient temperature 50°C (122°F)

LISTING

- cETLus Listed in accordance with UL1598 and CSA C222 No. 250.0
- Suitable for Wet Locations, Covered Ceilings, when used with LD4 Trims
- 2-Hour Fire Resistance tested and rated, cETLus Listed in accordance with UL263, CAN/ULC-S101 and ASTM E119
- CCEA rated for Chicago Plenum installations
- STC:57/IIC:50
- 5-Year Intense LED Limited Warranty
- ENERGY STAR® Certified
- Can be used to comply with Title 24, Part 6, JA8 high efficacy LED light source requirements



4" Drop Lens Trim

For alternate dimming options see LC4F Downlight specification

Ceiling Cut Out: 4 5/16" Octagonal. Maximum Ceiling Thickness: 1 1/2"

Frame-In Part Number (Example: LC4L4)

Frame-In	Wattage	Dimming	Options
LC4 (Fire-Rated, J-box housing)	L4 (14W)	blank (120V-277V, 120V Phase ¹ , 0-10V)	P (Concrete Pour)

Trim Assembly Part Number (Example: LD4DRWDDG-SFW)

Trim	CCT/CRI	Finish
LD4DR (4" Downlight Round)	WD (3000K-1800K)	DG-SFW (Drop Lens / Self-Flanged White)

Note:

- Phase Dimming, 120V only

SPECIFICATION SHEET L/M-0518-26 P-16

INTENSE LIGHTING | 725 Landwehr Road, Northbrook, IL 60026 | tel 847 559-5500

For Intense Lighting's limited product warranty, go to www.intenselighting.com. For a printed copy of the warranty, you may call 847 559-5500.

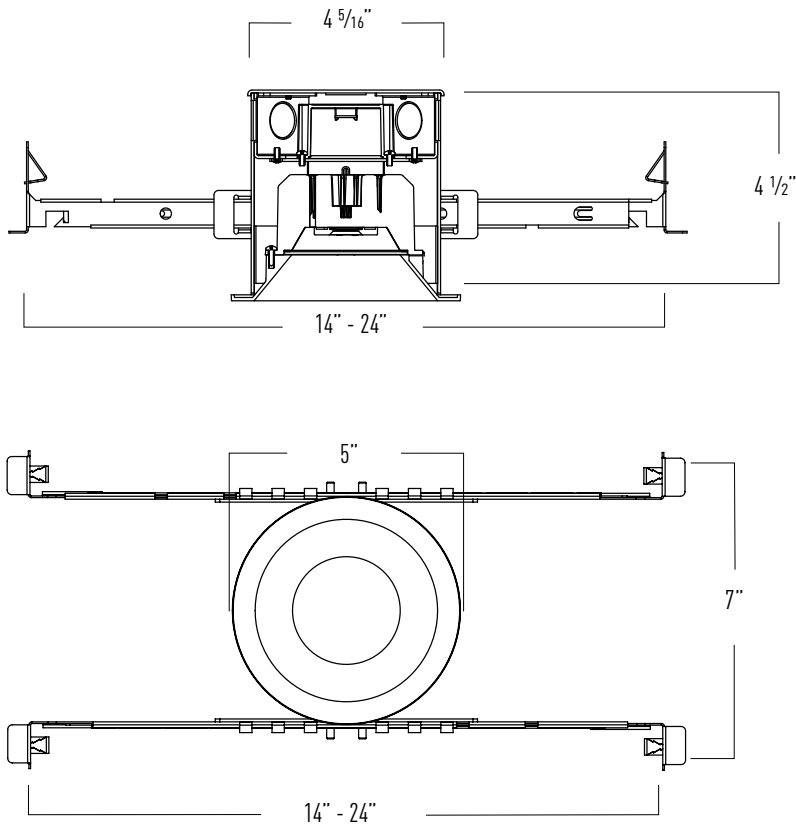
© 2026 Intense Lighting, LLC. All rights reserved. Note: This document is subject to change without notice.

LC4 / LD4D-DG

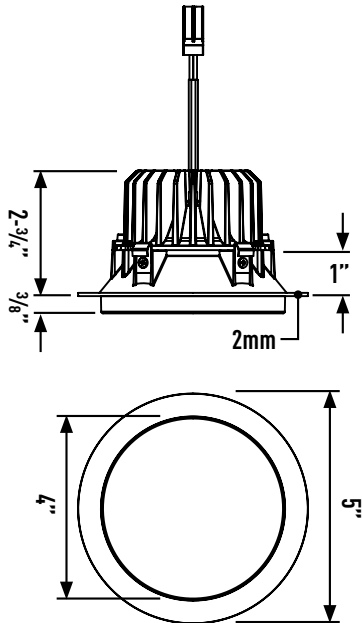
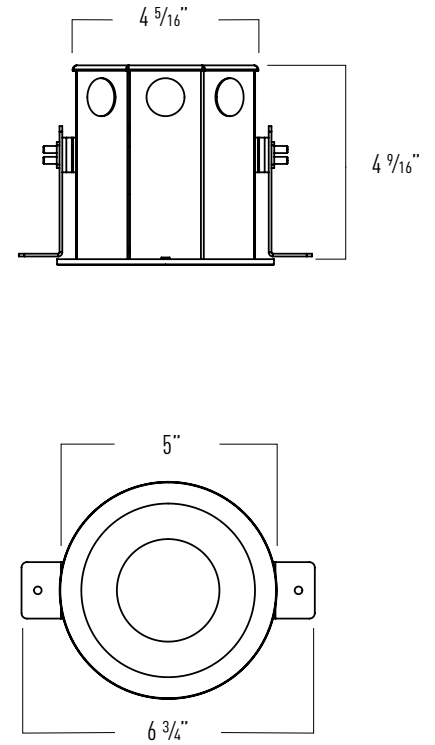
4" LC Warm Dim Fire-Rated Downlight with Drop Lens

JOB NAME		CATALOG NUMBER	
NOTES		TYPE	

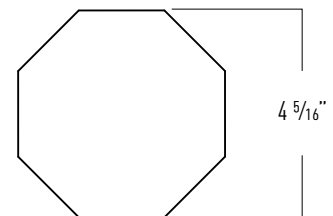
Standard Housings



Concrete Pour Housings



Ceiling Cut Out



Ceiling Cut Out: $4 \frac{5}{16}"$ octagonal. Maximum Ceiling Thickness: $1 \frac{1}{2}"$

LC4 / LD4D-DG

4" LC Warm Dim Fire-Rated Downlight with Drop Lens

JOB NAME		CATALOG NUMBER	
NOTES		TYPE	

LC4L4 / LD4DRWDDG-SFW

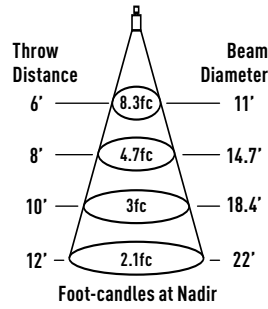
REPORT #: 20210312-1.002

CCT MULTIPLIERS (90CRI):

2700K (x 1.00)
 3000K (x 1.00)
 3500K (x 1.00)
 4000K (x 1.00)

TRIM FINISH MULTIPLIERS:

White (x 1.00)
 Black (x 0.85)
 Satin Nickel (x 0.91)



Watts: 8 LPW: 75
 Lumens: 600 CCT: 3000K

Intensity	
Degree	CBCP
0°	299
5°	296
15°	275
25°	240
35°	193
45°	131

LC4L3 / LD4DRWDDG-SFW

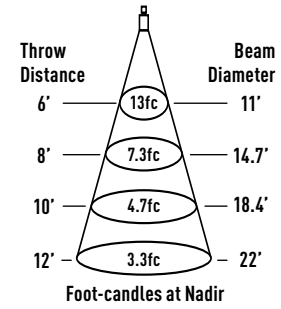
REPORT #: 20210312-1.001

CCT MULTIPLIERS (90CRI):

2700K (x 1.00)
 3000K (x 1.00)
 3500K (x 1.00)
 4000K (x 1.00)

TRIM FINISH MULTIPLIERS:

White (x 1.00)
 Black (x 0.85)
 Satin Nickel (x 0.91)



Watts: 11 LPW: 81.8
 Lumens: 900 CCT: 3000K

Intensity	
Degree	CBCP
0°	468
5°	464
15°	430
25°	377
35°	302
45°	206

LC4L4 / LD4DRWDDG-SFW

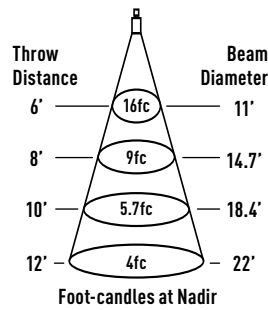
REPORT #: 20210312-1.003

CCT MULTIPLIERS (90CRI):

2700K (x 1.00)
 3000K (x 1.00)
 3500K (x 1.00)
 4000K (x 1.00)

TRIM FINISH MULTIPLIERS:

White (x 1.00)
 Black (x 0.85)
 Satin Nickel (x 0.91)



Watts: 14 LPW: 82.14
 Lumens: 1150 CCT: 3000K

Intensity	
Degree	CBCP
0°	575
5°	570
15°	528
25°	462
35°	371
45°	253