

LC4 / LD4D-DG

4" LC Fire-Rated Downlight with Drop Lens

JOB NAME		CATALOG NUMBER	
NOTES		TYPE	

ELECTRICAL DATA

LED Light Engine	System Wattage *	CCT / CRI	Nominal Delivered Lumens **
L2	8W	3000K / 90 CRI	600lm
L3	11W	3000K / 90 CRI	900lm
L4	14W	3000K / 90 CRI	1150lm

*System Wattage includes driver & LED Module consumption / **Delivered Lumen output will vary depending on CCT, CRI & finish

FEATURES

- 2-Hour Fire Resistance tested and rated, cETLus Listed
- Type IC and CCEA rated for Chicago Plenum
- Concrete pour option available
- Single housing design accepts both round and square trims

LED LIGHT ENGINE

- 90 CRI in 2700K, 3000K, 3500K or 4000K
- 2 SDCM (2-Step MacAdam)
- 50,000 hours L70 (rated life at 70% output)

ELECTRICAL SYSTEM

- Universal 120V - 277V input
- This product complies with IEEE C62.41 for surge endurance up to 2.5KV
- Additional surge protection recommended
- Damage from power surge is not covered by warranty

HOUSING

- 16 gauge galvanized steel
- Type IC and Chicago plenum rated
- Concrete pour option (includes mounting tabs)

DIMMING

- Phase and 0-10V dimming available via single driver
- Forward/Reverse Phase dimming (120V only)
- 0-10V 5% dimming
- For alternate dimming options see LC4F Downlight Specification Sheet

TRIM ASSEMBLY

- Die-cast trim and heat sink assembly with quick connect for easy installation.
- High optical transparency diffusion lens
- Wet location listed

INSTALLATION

- Fixture includes adjustable bar hangers (14"-24") for wood joist or t-bar ceiling installations
- Accommodates ceilings with a 1/2" to 1-1/2" thickness
- Maximum ambient temperature 50°C (122°F)

LISTING

- cETLus Listed in accordance with UL1598 and CSA C222 No. 250.0
- Suitable for Wet Locations, Covered Ceilings, when used with LD4 Trims
- 2-Hour Fire Resistance tested and rated, cETLus Listed in accordance with UL263, CAN/ULC-S101 and ASTM E119
- CCEA rated for Chicago Plenum installations
- STC:57/IIC:50
- 5-Year Intense LED Limited Warranty
- ENERGY STAR® Certified
- Can be used to comply with Title 24, Part 6, JA8 high efficacy LED light source requirements



LD4D-DG

Ceiling Cut Out: 4-5/16" octagonal. Maximum Ceiling Thickness: 1-1/2"

Frame-In Part Number (Example: LC4L2)

Frame-In	Wattage	Dimming	Options
LC4 (Fire-Rated, J-box housing)	L2 (8 Watts) L3 (11 Watts) L4 (14 Watts)	blank (120V-277V, 120V Phase ¹ , 0-10V)	P (Concrete Pour)

Trim Assembly Part Number (Example: LD4DR309DG-SFW)

Trim	CCT/CRI	Finish
LD4DR (4" Downlight Round)	279 (2700K/90 CRI) 309 (3000K/90 CRI) 359 (3500K/90 CRI) 409 (4000K/90 CRI)	DG-SFW (Drop Lens / Self-Flanged White)

Note:

- Phase Dimming, 120V only

SPECIFICATION SHEET L/M-0518-26 P-22

INTENSE LIGHTING | 725 Landwehr Road, Northbrook, IL 60062 | tel 847 559-5500

For Intense Lighting's limited product warranty, go to www.intenselighting.com. For a printed copy of the warranty, you may call 847 559-5500.

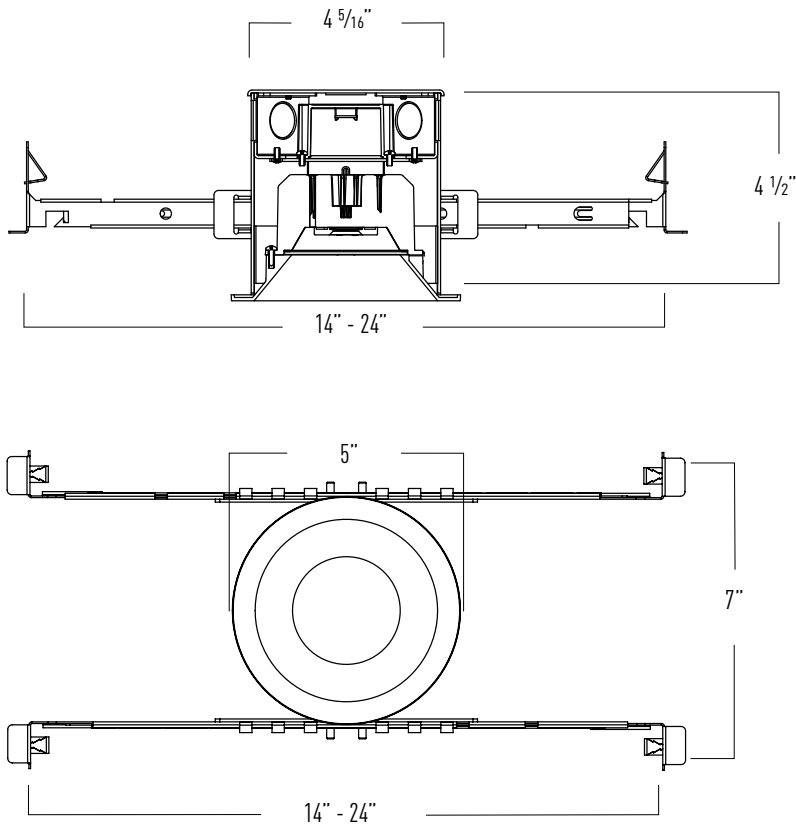
© 2026 Intense Lighting, LLC. All rights reserved. Note: This document is subject to change without notice.

LC4 / LD4D-DG

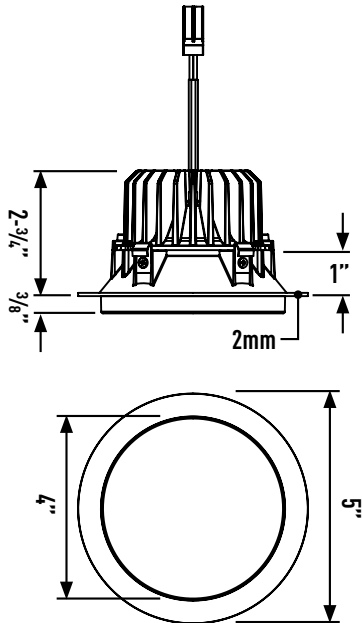
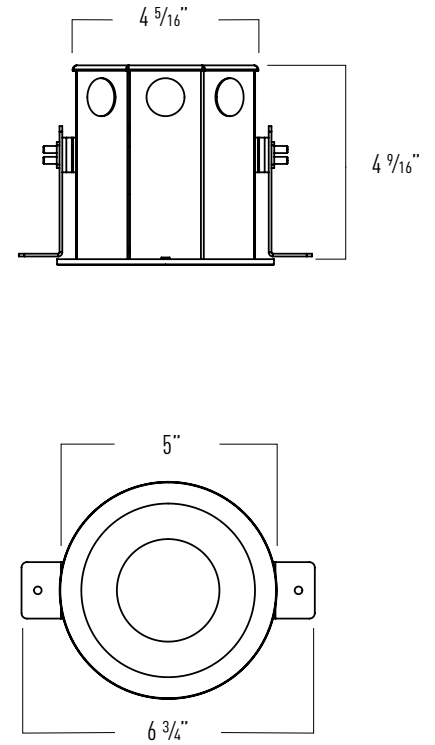
4" LC Fire-Rated Downlight with Drop Lens

JOB NAME		CATALOG NUMBER	
NOTES		TYPE	

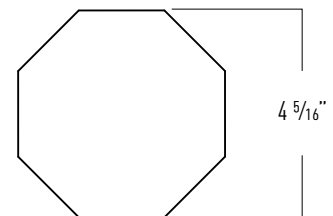
Standard Housings



Concrete Pour Housings



Ceiling Cut Out



Ceiling Cut Out: $4 \frac{5}{16}"$ octagonal. Maximum Ceiling Thickness: $1 \frac{1}{2}"$

LC4 / LD4D-DG

4" LC Fire-Rated Downlight with Drop Lens

JOB NAME		CATALOG NUMBER	
NOTES		TYPE	

LC4L2 / LD4DR309DG-SFW

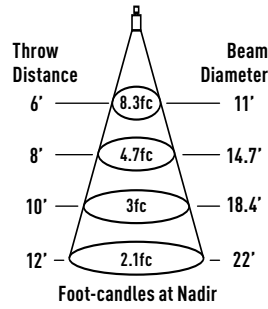
REPORT #: 20210312-1.002

CCT MULTIPLIERS (90CRI):

- 2700K (x 1.00)
- 3000K (x 1.00)
- 3500K (x 1.00)
- 4000K (x 1.00)

TRIM FINISH MULTIPLIERS:

- White (x 1.00)
- Black (x 0.85)
- Satin Nickel (x 0.91)



Watts: 8 LPW: 75
Lumens: 600 CCT: 3000K

Intensity	
Degree	CBCP
0°	299
5°	296
15°	275
25°	240
35°	193
45°	131

LC4L3 / LD4DR309DG-SFW

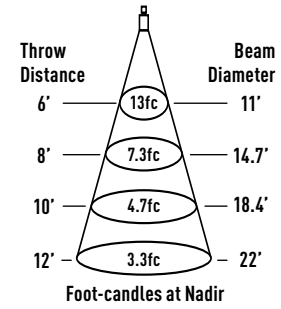
REPORT #: 20210312-1.001

CCT MULTIPLIERS (90CRI):

- 2700K (x 1.00)
- 3000K (x 1.00)
- 3500K (x 1.00)
- 4000K (x 1.00)

TRIM FINISH MULTIPLIERS:

- White (x 1.00)
- Black (x 0.85)
- Satin Nickel (x 0.91)



Watts: 11 LPW: 81.8
Lumens: 900 CCT: 3000K

Intensity	
Degree	CBCP
0°	468
5°	464
15°	430
25°	377
35°	302
45°	206

LC4L4 / LD4DR309DG-SFW

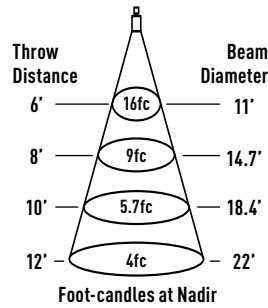
REPORT #: 20210312-1.003

CCT MULTIPLIERS (90CRI):

- 2700K (x 1.00)
- 3000K (x 1.00)
- 3500K (x 1.00)
- 4000K (x 1.00)

TRIM FINISH MULTIPLIERS:

- White (x 1.00)
- Black (x 0.85)
- Satin Nickel (x 0.91)



Watts: 14 LPW: 82.14
Lumens: 1150 CCT: 3000K

Intensity	
Degree	CBCP
0°	575
5°	570
15°	528
25°	462
35°	371
45°	253