

LC4 / LD4D

4" LC Fire-Rated LED Downlight

JOB NAME		CATALOG NUMBER	
NOTES		TYPE	

ELECTRICAL DATA

LED Light Engine	System Wattage *	CCT / CRI	Nominal Delivered Lumens **	
			Round	Square
L2	8W	3000K / 90 CRI	650lm	550lm
L3	11W	3000K / 90 CRI	1000lm	900lm
L4	14W	3000K / 90 CRI	1250lm	1100lm

*System Wattage includes driver & LED Module consumption / **Delivered Lumen output will vary depending on CCT, CRI & finish

FEATURES

- 2-Hour Fire Resistance tested and rated, cETLus Listed
- Type IC and CCEA rated for Chicago Plenum
- Concrete pour option available
- Single housing design accepts both round and square trims

LED LIGHT ENGINE

- 90 CRI in 2700K, 3000K, 3500K or 4000K
- 2 SDCM (2-Step MacAdam)
- 50,000 hours L70 (rated life at 70% output)

ELECTRICAL SYSTEM

- Universal 120V - 277V input
- This product complies with IEEE C62.41 for surge endurance up to 2.5KV
- Additional surge protection recommended
- Damage from power surge is not covered by warranty

HOUSING

- 16 gauge galvanized steel
- Type IC and Chicago plenum rated
- Concrete pour option (includes mounting tabs)

DIMMING

- Phase and 0-10V dimming available via single driver
- Forward/Reverse Phase dimming (120V only)
- 0-10V 5% dimming
- For alternate dimming options see LC4F Downlight specification

TRIM ASSEMBLY

- Powder coated aluminum die-cast trim
- Non Conductive trim made of heavy duty injection molded polymer
- Quick connect for easy installation
- High optical transparency diffusion lens provides enhanced visual comfort
- Wet location listed

INSTALLATION

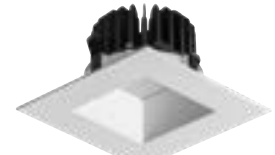
- Fixture includes adjustable bar hangers (14"-24") for wood joist or T-bar ceiling installations
- Accommodates ceilings with a 1/2" to 1-1/2" thickness
- Maximum ambient temperature 50°C (122°F)

LISTING

- cETLus Listed in accordance with UL1598 and CSA C222 No. 250.0
- Suitable for Wet Locations, Covered Ceilings, when used with LD4 Trims
- 2-Hour Fire Resistance tested and rated, cETLus Listed in accordance with UL263, CAN/ULC-S101 and ASTM E119
- CCEA rated for Chicago Plenum installations
- STC:57/IIC:50
- 5-Year Intense LED Limited Warranty
- ENERGY STAR® Certified
- Can be used to comply with Title 24, Part 6, JA8 high efficacy LED light source requirements



LD4DR



LD4DS

Ceiling Cut Out: 4-5/16" octagonal. Maximum Ceiling Thickness: 1-1/2"

Frame-In Part Number (Example: LC4L2)

Frame-In	Wattage	Dimming	Options
LC4 (Fire-Rated, J-box housing)	L2 (8 Watts) L3 (11 Watts) L4 (14 Watts)	blank (120V-277V, 120V Phase ¹ , 0-10V)	P (Concrete Pour)

Trim Assembly Part Number (Example: LD4DR309SN-SFW)

Trim	CCT/CRI	Finish
LD4DR (4" Downlight Round)	279 (2700K/90 CRI)	W-SF (White / Self-Flanged)
LD4DS (4" Downlight Square)	309 (3000K/90 CRI)	B-SF (Black / Self-Flanged)
	359 (3500K/90 CRI)	SN-SFW (Satin Nickel / Self-Flanged White)
	409 (4000K/90 CRI)	NC-SF ² (White Non Conductive / Self-Flanged)

Note:

- Phase Dimming, 120V only
- Available in Round only

SPECIFICATION SHEET / M-0518-26 P-14

INTENSE LIGHTING | 725 Landwehr Road, Northbrook, IL 60026 | tel 847 559-5500

For Intense Lighting's limited product warranty, go to www.intenselighting.com. For a printed copy of the warranty, you may call 847 559-5500.

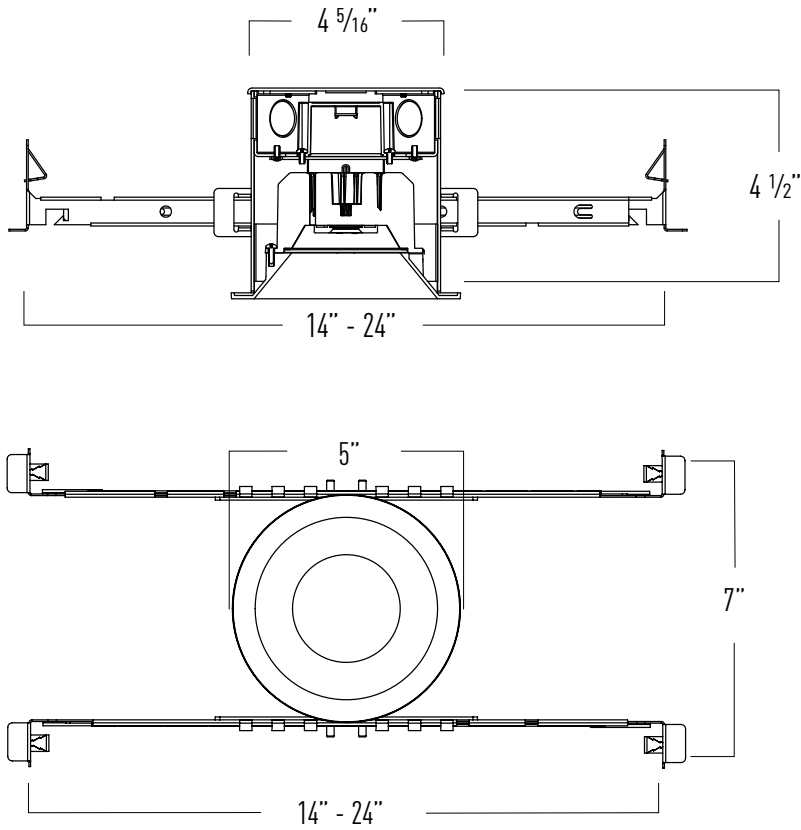
© 2026 Intense Lighting, LLC. All rights reserved. Note: This document is subject to change without notice.

LC4 / LD4D

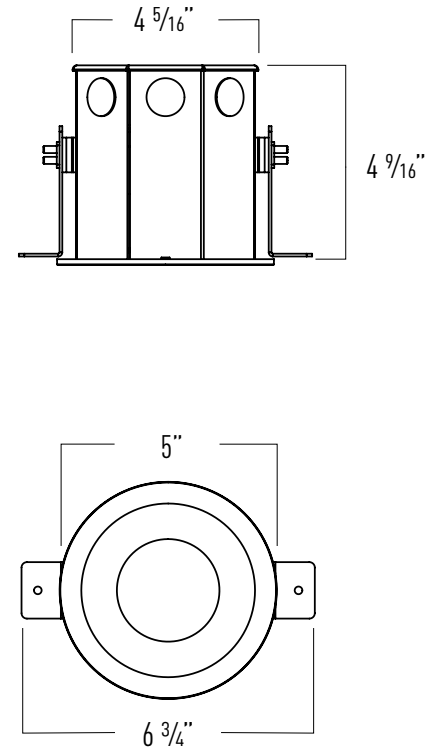
4" LC Fire-Rated LED Downlight

JOB NAME		CATALOG NUMBER	
NOTES		TYPE	

Standard Housings

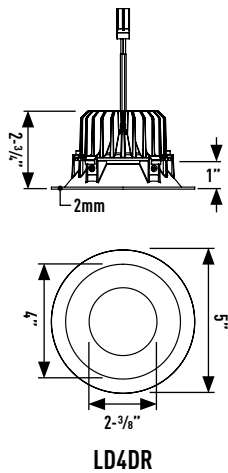


Concrete Pour Housings



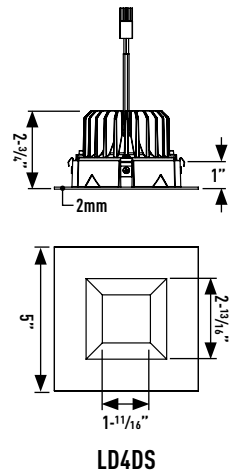
Downlight Trim

Round



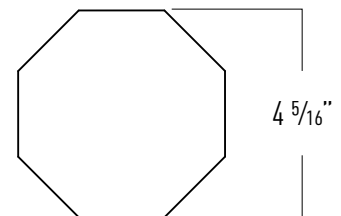
LD4DR

Square



LD4DS

Ceiling Cut Out



Ceiling Cut Out: 4 5/16" octagonal. Maximum Ceiling Thickness: 1 1/2"

LC4 / LD4D

4" LC Fire-Rated LED Downlight

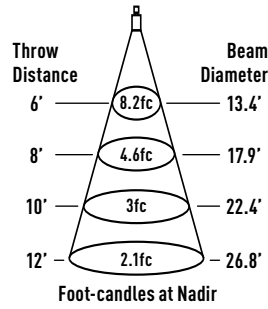
JOB NAME		CATALOG NUMBER	
NOTES		TYPE	

LC4L2 / LD4DR309-SFW

REPORT #: 20210311-1.102

TRIM FINISH MULTIPLIERS:

White (x 1.00)
 Black (x 0.85)
 Satin Nickel (x 0.91)



Watts: 8 LPW: 81.25
 Lumens: 650 CCT: 3000K

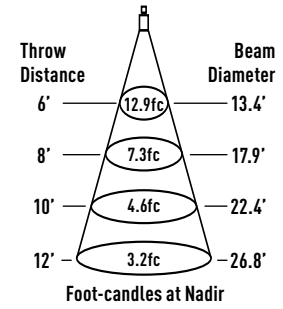
Intensity	
Degree	CBCP
0°	297
5°	296
15°	288
25°	254
35°	211
45°	166

LC4L3 / LD4DR309-SFW

REPORT #: 20210311-1.101

TRIM FINISH MULTIPLIERS:

White (x 1.00)
 Black (x 0.85)
 Satin Nickel (x 0.91)



Watts: 11 LPW: 90.9
 Lumens: 1000 CCT: 3000K

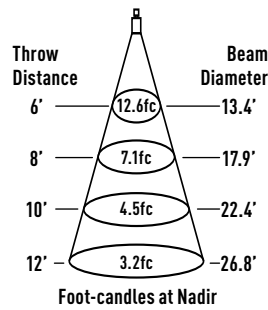
Intensity	
Degree	CBCP
0°	465
5°	464
15°	451
25°	398
35°	330
45°	261

LC4L4 / LD4DR309-SFW

REPORT #: 20210311-1.103

TRIM FINISH MULTIPLIERS:

White (x 1.00)
 Black (x 0.85)
 Satin Nickel (x 0.91)



Watts: 14 LPW: 89.3
 Lumens: 1250 CCT: 3000K

Intensity	
Degree	CBCP
0°	570
5°	570
15°	554
25°	489
35°	405
45°	320

LC4 / LD4D

4" LC Fire-Rated LED Downlight

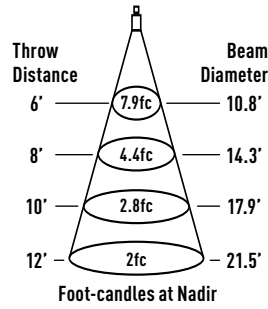
JOB NAME		CATALOG NUMBER	
NOTES		TYPE	

LC4L2 / LD4DS309-SFW

REPORT #: 20210311-4.102

TRIM FINISH MULTIPLIERS:

White (x 1.00)
 Black (x 0.77)
 Satin Nickel (x 0.88)



Watts: 8 LPW: 68.75
 Lumens: 550 CCT: 3000K

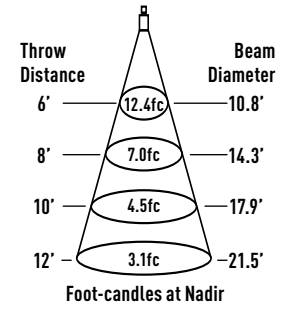
Intensity	
Degree	CBCP
0°	283
5°	285
15°	271
25°	241
35°	195
45°	105

LC4L3 / LD4DS309-SFW

REPORT #: 20210311-4.101

TRIM FINISH MULTIPLIERS:

White (x 1.00)
 Black (x 0.77)
 Satin Nickel (x 0.88)



Watts: 11 LPW: 81.81
 Lumens: 900 CCT: 3000K

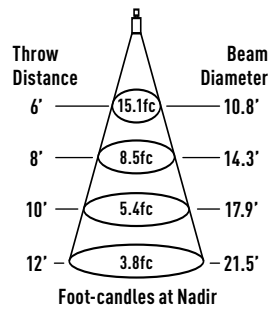
Intensity	
Degree	CBCP
0°	446
5°	449
15°	426
25°	380
35°	307
45°	166

LC4L4 / LD4DS309-SFW

REPORT #: 20210311-4.103

TRIM FINISH MULTIPLIERS:

White (x 1.00)
 Black (x 0.77)
 Satin Nickel (x 0.88)



Watts: 14 LPW: 78.57
 Lumens: 1100 CCT: 3000K

Intensity	
Degree	CBCP
0°	545
5°	548
15°	521
25°	464
35°	375
45°	203