

# LC4 / LD4W

## 4" LC Fire-Rated LED Wall Wash

JOB NAME		CATALOG NUMBER	
NOTES		TYPE	

### ELECTRICAL DATA

LED Light Engine	System Wattage *	CCT / CRI	Nominal Delivered Lumens **	
			Round	Square
L2	8W	3000K / 90 CRI	550lm	500lm
L3	11W	3000K / 90 CRI	900lm	850lm
L4	14W	3000K / 90 CRI	1100lm	1000lm

\*System Wattage includes driver & LED Module consumption / \*\*Delivered Lumen output will vary depending on CCT, CRI & finish

### FEATURES

- 2-Hour Fire Resistance tested and rated, cETLus Listed
- Type IC and CCEA rated for Chicago Plenum
- Concrete pour option available
- Single housing design accepts both round and square trims

### LED LIGHT ENGINE

- 90 CRI in 2700K, 3000K, 3500K or 4000K
- 2 SDCM (2-Step MacAdam)
- 50,000 hours L70 (rated life at 70% output)

### ELECTRICAL SYSTEM

- Universal 120V - 277V input
- This product complies with IEEE C62.41 for surge endurance up to 2.5KV
- Additional surge protection recommended
- Damage from power surge is not covered by warranty

### HOUSING

- 16 gauge galvanized steel
- Type IC and Chicago plenum rated
- Concrete pour option (includes mounting tabs)

### DIMMING

- Phase and 0-10V dimming available via single driver
- Forward/reverse phase dimming (120V only)
- 0-10V 5% dimming
- For alternate dimming options see LC4F Downtlight specification

### TRIM ASSEMBLY

- Die-cast trim and heat sink assembly with quick connect for easy installation.
- High optical transparency diffusion lens
- Wet location listed

### INSTALLATION

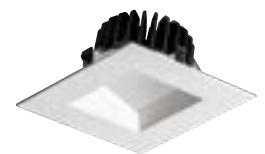
- Fixture includes adjustable bar hangers (14"-24") for wood joist or t-bar ceiling installations
- Accommodates ceilings with a 1/2" to 1-1/2" thickness
- Maximum ambient temperature 50°C (122°F)

### LISTING

- cETLus Listed in accordance with UL1598 and CSA C222 No. 250.0
- Suitable for Wet Locations, Covered Ceilings, when used with LD4 Trims
- 2-Hour Fire Resistance tested and rated, cETLus Listed in accordance with UL263, CAN/ULC-S101 and ASTM E119
- CCEA rated for Chicago Plenum installations
- STC:57/IIC:50
- 5-Year Intense LED Limited Warranty
- ENERGY STAR® Certified
- Can be used to comply with Title 24, Part 6, JA8 high efficacy LED light source requirements



LD4WR



LD4WS

Ceiling Cut Out: 4-5/16" octagonal. Maximum Ceiling Thickness: 1-1/2"

### Frame-In Part Number (Example: LC4L2)

Frame-In	Wattage	Dimming	Options
LC4 (Fire-Rated, J-box housing)	L2 (8 Watts) L3 (11 Watts) L4 (14 Watts)	blank (120V-277V, 120V Phase <sup>1</sup> , 0-10V)	P (Concrete Pour)

### Trim Assembly Part Number (Example: LDRWR279W-SF)

Trim	CCT/CRI	Finish
LD4WR (4" Wall Wash Round)	279 (2700K/90 CRI)	W-SF (White / Self-Flanged)
LD4WS (4" Wall Wash Square)	309 (3000K/90 CRI) 359 (3500K/90 CRI) 409 (4000K/90 CRI)	B-SF (Black / Self-Flanged) SN-SFW (Satin Nickel / Self-Flanged White)

### Note:

1. Phase Dimming, 120V only

SPECIFICATION SHEET / M-0518-26 P-18

INTENSE LIGHTING | 725 Landwehr Road, Northbrook, IL 60026 | tel 847 559-5500

For Intense Lighting's limited product warranty, go to [www.intenselighting.com](http://www.intenselighting.com). For a printed copy of the warranty, you may call 847 559-5500.

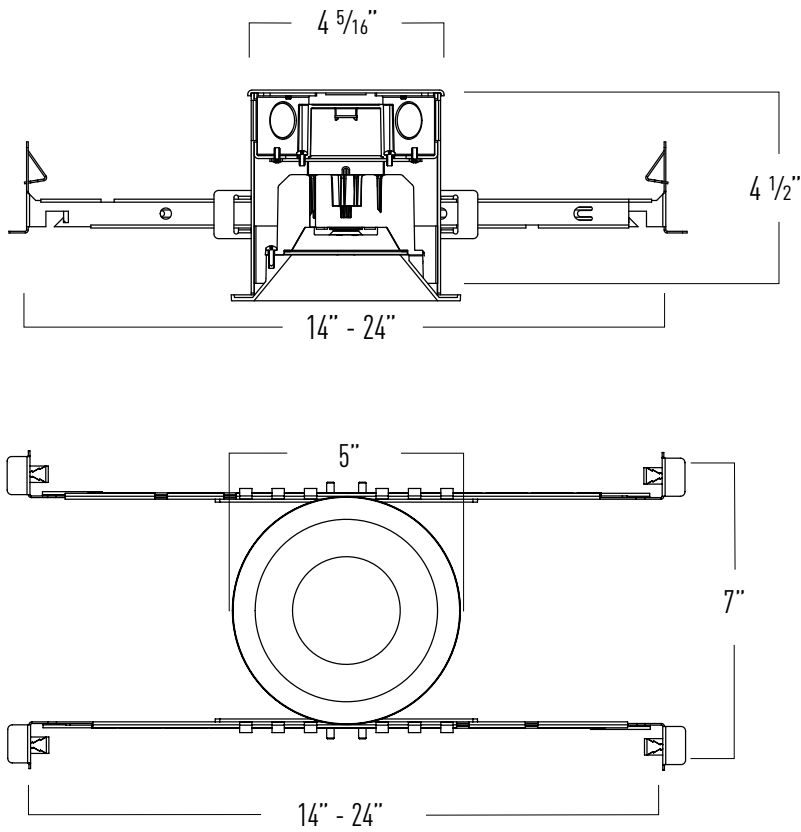
© 2026 Intense Lighting, LLC. All rights reserved. Note: This document is subject to change without notice.

# LC4 / LD4W

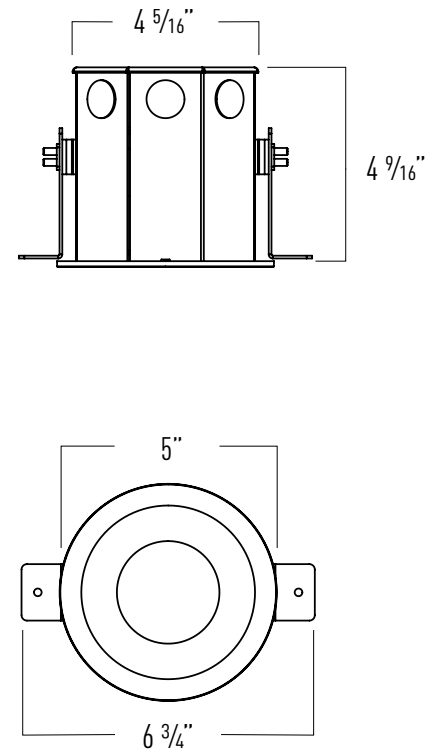
4" LC Fire-Rated LED Wall Wash

JOB NAME		CATALOG NUMBER	
NOTES		TYPE	

## Standard Housings

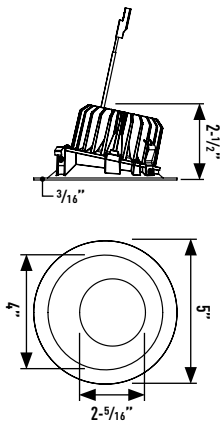


## Concrete Pour Housings



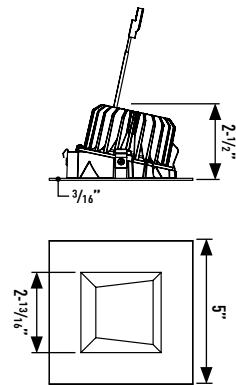
## Wall Wash Trim

### Round



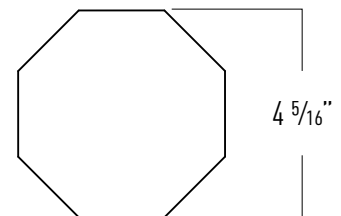
LD4WR

### Square



LD4WS

## Ceiling Cut Out



Ceiling Cut Out:  $4 \frac{5}{16}''$  octagonal. Maximum Ceiling Thickness:  $1 \frac{1}{2}''$

# LC4 / LD4W

4" LC Fire-Rated LED Wall Wash

JOB NAME		CATALOG NUMBER	
NOTES		TYPE	

## LC4L2 / LD4WR309-SFW

REPORT #: 20210315-2.102

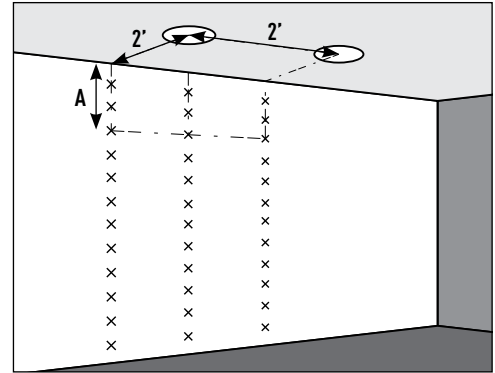
Watts: 8  
Lumens: 550  
LPW: 68.75  
CCT: 3000K

### TRIM FINISH MULTIPLIERS:

White (x 1.00)  
Black (x 0.91)  
Satin Nickel (x 0.95)

(A) Distance From Ceiling	2' From Wall On 2' Centers	3' From Wall On 2' Centers	3' From Wall On 3' Centers
	□ 2' □	□ 2' □	□ 3' □
1'	6 6 6	0.6 0.6 0.6	0.4 0.3 0.4
2'	26 26 26	11 11 11	5 5 5
3'	18 19 18	16 16 16	7 7 7
4'	12 12 12	13 13 13	6 6 6
5'	8 8 8	9 10 9	4 5 4
6'	5 5 5	7 7 7	3 3 3
7'	4 4 4	5 5 5	2 2 2
8'	3 3 3	4 4 4	2 2 2
9'	2 2 2	3 3 3	1 1 1
10'	1.4 1.4 1.4	2 2 2	1 1 1
11'	1.1 1.1 1.1	1.6 1.6 1.6	0.8 0.9 0.8
12'	0.8 0.8 0.8	1.2 1.2 1.2	0.7 0.7 0.7

Example: Two luminaires located 2' from wall and spaced 2' on center, the illumination on the wall 3' down from ceiling will be 11fc beneath units and 12fc between units



## LC4L3 / LD4WR309-SFW

REPORT #: 20210315-2.102

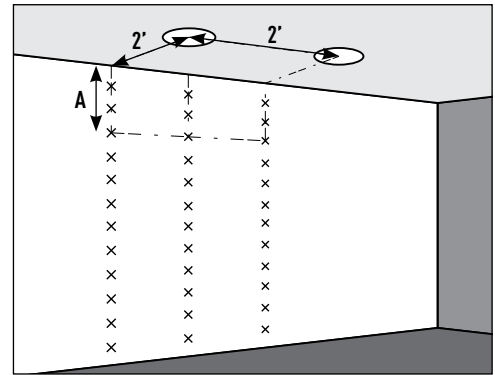
Watts: 11  
Lumens: 900  
LPW: 81.81  
CCT: 3000K

### TRIM FINISH MULTIPLIERS:

White (x 1.00)  
Black (x 0.91)  
Satin Nickel (x 0.95)

(A) Distance From Ceiling	2' From Wall On 2' Centers	3' From Wall On 2' Centers	3' From Wall On 3' Centers
	□ 2' □	□ 2' □	□ 3' □
1'	10 9 10	1 1 1	1 1 1
2'	40 41 40	17 17 17	12 11 12
3'	30 30 30	25 25 25	18 18 18
4'	19 19 19	20 20 20	15 16 15
5'	12 12 12	15 15 15	11 12 11
6'	8 8 8	10 11 10	8 9 8
7'	6 6 6	7 8 7	6 6 6
8'	4 4 4	5 6 5	5 5 5
9'	3 3 3	4 4 4	4 4 4
10'	2.2 2.2 2.2	3.1 3.2 3.1	2.7 2.8 2.7
11'	1.7 1.7 1.7	2.4 2.5 2.4	2.2 2.2 2.2
12'	1.3 1.3 1.3	1.9 1.9 1.9	1.7 1.8 1.7

Example: Two luminaires located 2' from wall and spaced 2' on center, the illumination on the wall 3' down from ceiling will be 11fc beneath units and 12fc between units



## LC4L4 / LD4WR309-SFW

REPORT #: 20210315-2.102

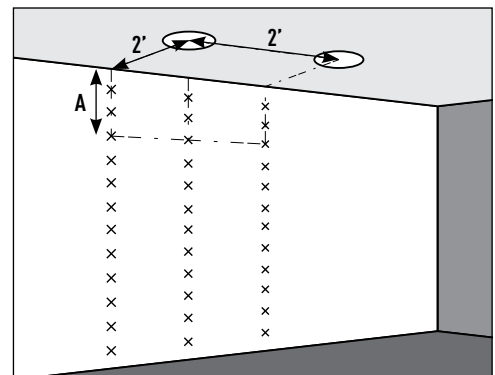
Watts: 14  
Lumens: 1100  
LPW: 78.57  
CCT: 3000K

### TRIM FINISH MULTIPLIERS:

White (x 1.00)  
Black (x 0.91)  
Satin Nickel (x 0.95)

(A) Distance From Ceiling	2' From Wall On 2' Centers	3' From Wall On 2' Centers	3' From Wall On 3' Centers
	□ 2' □	□ 2' □	□ 3' □
1'	12 11 12	1 1 1	1 1 1
2'	50 50 50	20 21 20	15 13 15
3'	36 37 36	30 31 30	22 22 22
4'	23 24 23	25 25 25	18 19 18
5'	15 15 15	18 18 18	14 14 14
6'	10 10 10	13 13 13	10 11 10
7'	7 7 7	9 9 9	8 8 8
8'	5 5 5	7 7 7	6 6 6
9'	4 4 4	5 5 5	4 4 4
10'	2.6 2.7 2.6	3.8 4 3.8	3.4 3.4 3.4
11'	2.0 2.1 2.0	3.0 3 3.0	2.7 2.7 2.7
12'	1.6 1.6 1.6	2.4 2.4 2.4	2.1 2.2 2.1

Example: Two luminaires located 2' from wall and spaced 2' on center, the illumination on the wall 3' down from ceiling will be 11fc beneath units and 12fc between units



# LC4 / LD4W

4" LC Fire-Rated LED Wall Wash

JOB NAME		CATALOG NUMBER	
NOTES		TYPE	

## LC4L2 / LD4WS309-SFW

REPORT #: 20210315-2.102

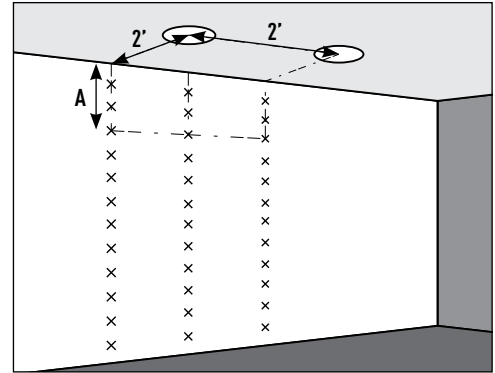
Watts: 8  
Lumens: 500  
LPW: 62.5  
CCT: 3000K

### TRIM FINISH MULTIPLIERS:

White (x 1.00)  
Black (x 0.83)  
Satin Nickel (x 0.92)

(A) Distance From Ceiling	2' From Wall On 2' Centers	3' From Wall On 2' Centers	3' From Wall On 3' Centers
	□ 2' □	□ 2' □	□ 3' □
1'	6 6 6	1 1 1	1 1 1
2'	22 22 22	8 8 8	6 5 6
3'	17 17 17	14 14 14	10 10 10
4'	11 11 11	12 12 12	9 9 9
5'	7 7 7	8 9 8	7 7 7
6'	5 5 5	6 6 6	5 5 5
7'	3 3 3	4 4 4	4 4 4
8'	2 2 2	3 3 3	3 3 3
9'	2 2 2	2 2 2	2 2 2
10'	1.3 1.3 1.3	1.8 1.8 1.8	1.6 1.6 1.6
11'	1.0 1.0 1.0	1.4 1.4 1.4	1.2 1.3 1.2
12'	0.8 0.8 0.8	1.1 1.1 1.1	1.0 1.0 1.0

Example: Two luminaires located 2' from wall and spaced 2' on center, the illumination on the wall 3' down from ceiling will be 11fc beneath units and 12fc between units



## LC4L3 / LD4WS309-SFW

REPORT #: 20210315-2.102

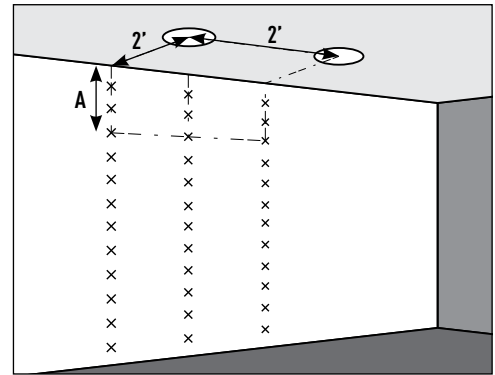
Watts: 11  
Lumens: 850  
LPW: 77.27  
CCT: 3000K

### TRIM FINISH MULTIPLIERS:

White (x 1.00)  
Black (x 0.83)  
Satin Nickel (x 0.92)

(A) Distance From Ceiling	2' From Wall On 2' Centers	3' From Wall On 2' Centers	3' From Wall On 3' Centers
	□ 2' □	□ 2' □	□ 3' □
1'	10 9 10	2 2 2	2 1 2
2'	34 34 34	12 12 12	9 8 9
3'	27 27 27	21 22 21	15 15 15
4'	17 17 17	18 19 18	13 14 13
5'	11 11 11	13 13 13	10 10 10
6'	7 7 7	9 10 9	8 8 8
7'	5 5 5	7 7 7	6 6 6
8'	4 4 4	5 5 5	4 4 4
9'	3 3 3	4 4 4	3 3 3
10'	2.0 2.0 2.0	2.8 2.9 2.8	2.5 2.5 2.5
11'	1.5 1.5 1.5	2.2 2.2 2.2	1.9 2.0 1.9
12'	1.2 1.2 1.2	1.7 1.8 1.7	1.6 1.6 1.6

Example: Two luminaires located 2' from wall and spaced 2' on center, the illumination on the wall 3' down from ceiling will be 11fc beneath units and 12fc between units



## LC4L4 / LD4WS309-SFW

REPORT #: 20210315-2.102

Watts: 14  
Lumens: 1000  
LPW: 71.43  
CCT: 3000K

### TRIM FINISH MULTIPLIERS:

White (x 1.00)  
Black (x 0.83)  
Satin Nickel (x 0.92)

(A) Distance From Ceiling	2' From Wall On 2' Centers	3' From Wall On 2' Centers	3' From Wall On 3' Centers
	□ 2' □	□ 2' □	□ 3' □
1'	12 11 12	3 2.5 3	2 1.7 2
2'	42 42 42	15 15 15	11 9.8 11
3'	32 33 32	26 26 26	19 19 19
4'	21 21 21	22 23 22	17 17 17
5'	13 14 13	16 16 16	13 13 13
6'	9 9 9	11 12 11	9 9 9
7'	6 6 6	8 8 8	7 7 7
8'	4 4 4	6 6 6	5 5 5
9'	3 3 3	5 5 5	4 4 4
10'	2.4 2.5 2.4	3.5 3.5 3.5	3 3.1 3
11'	1.9 1.9 1.9	2.7 2.7 2.7	2.4 2.5 2.4
12'	1.5 1.5 1.5	2.1 2.2 2.1	1.9 2.0 1.9

Example: Two luminaires located 2' from wall and spaced 2' on center, the illumination on the wall 3' down from ceiling will be 11fc beneath units and 12fc between units

