

4" Gravity Enhanced Color Cylinder - Pendant Mounted

⚠ WARNING

Risk of electrical shock. Disconnect power before servicing or installing luminaire.

⚠ WARNING

Risk of injury or damage. Luminaire will fail if not installed properly. Follow installation instructions.

⚠ WARNING

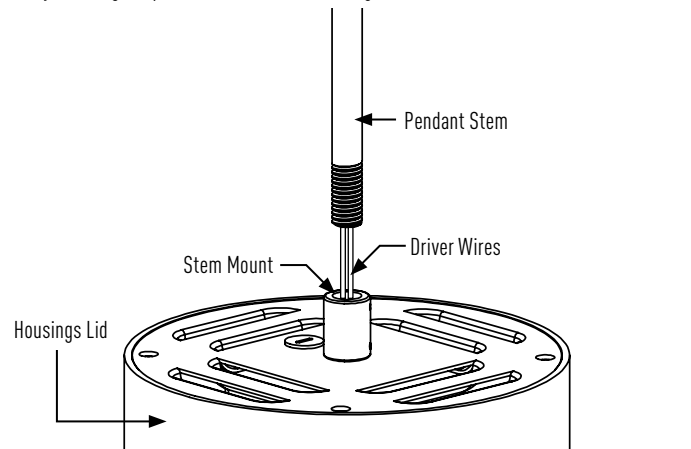
Risk of injury. Wear safety glasses and gloves during installation and servicing. Allow ample time to cool before handling.

IMPORTANT SAFETY INSTRUCTIONS

- Read all installation instructions before installing. It is important to save these instructions.
- **Only install and connect LED module with power disconnected at the circuit breaker. Hot plugging, or connecting the module with power on, could damage the LEDs and is not covered by warranty.**
- Observe and follow all label information and instructions regarding dry, damp and wet location listings, proper Intense LED module, warnings of installation near combustible materials and/or insulation.
- Be sure to connect ground wire to prevent electric shock or other potential hazards.
- The product must be installed in a manner consistent with the intended use and in compliance with the national electrical codes and local codes by a person familiar with the construction and operation of the product and the hazards involved.
- **WARNING: Use only Intense Lighting trims listed for use with this fixture. Use of trims other than those listed by Intense Lighting is a violation of N.E.C 110-3(B) and voids all warranties.**

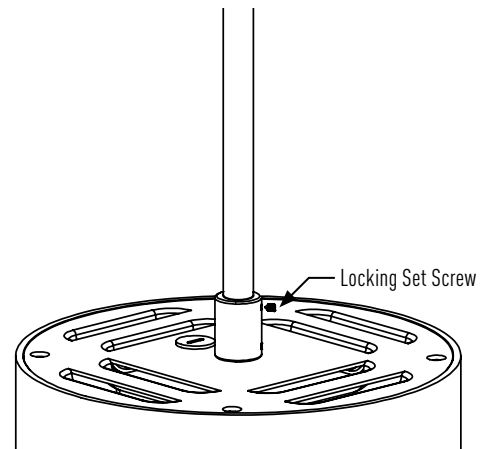
FASTENING PENDANT STEM TO LID:

1. Feed driver wires through pendant stem.
2. Once the wires are feed through the pendant stem fasten the pendant stem to housing by screwing the pendant stem into the housing lid.



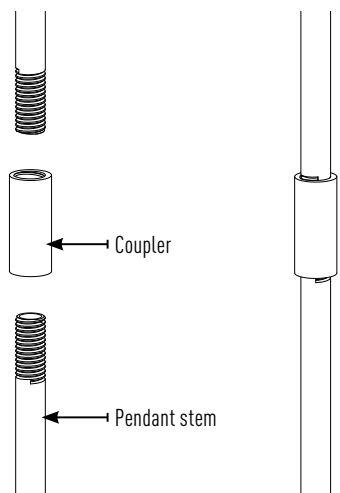
SECURING PENDANT STEM TO LID:

1. Once the pendant stem is seated all the way down, hand tight and tighten the set screw to secure the pendant stem to the housings lid. (1.5mm allen key)



FOR 96" PENDANT STEM ONLY:

1. Connect both 48" pendant stems by threading each end into the coupler.

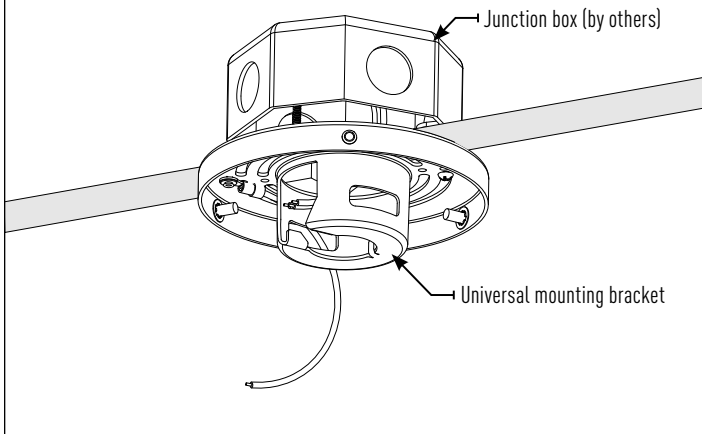


4" Gravity Enhanced Color Cylinder - Pendant Mounted

ATTACH MOUNTING BRACKET TO JUNCTION BOX:

5

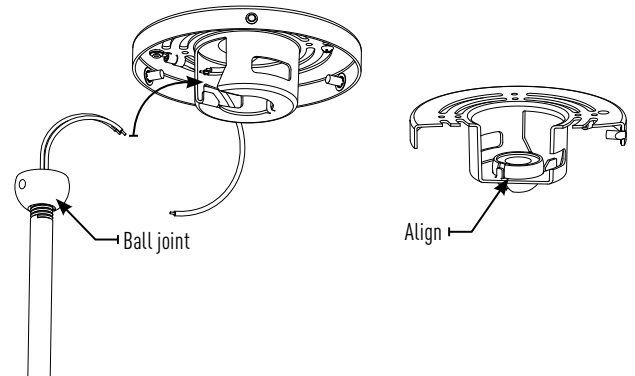
1. Attach universal mounting bracket to junction box (by others) using hardware supplied.



SUSPEND BALL JOINT:

6

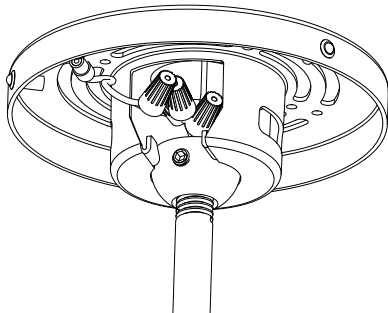
1. Insert ball joint through opening on universal mounting bracket.
2. Align the groove on the ball joint with the tab on the universal mounting bracket, opposite of the opening.



ELECTRICAL CONNECTIONS:

7

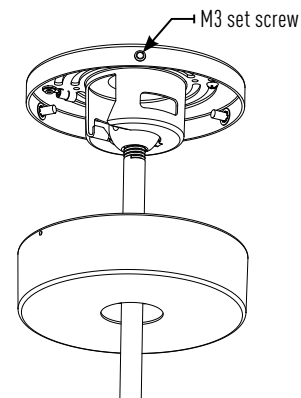
1. Make electrical connections side of universal mounting bracket.
2. Connect ground wire from universal mounting bracket to green (ground) supply wire and ground wire from fixture, white wire from cylinder to white (neutral) supply wire and black wire from cylinder to black (hot) supply wire. Use UL listed connectors or wire nuts (by others) to make the connections. Connect dimming wires if applicable, see page 4.



MOUNT CANOPY:

8

1. Slide canopy up and snap into the universal mounting bracket. May need to loosen M3 slotted set screw for clearance of canopy.
2. Tighten M3 slotted set screw with a flat head screwdriver.

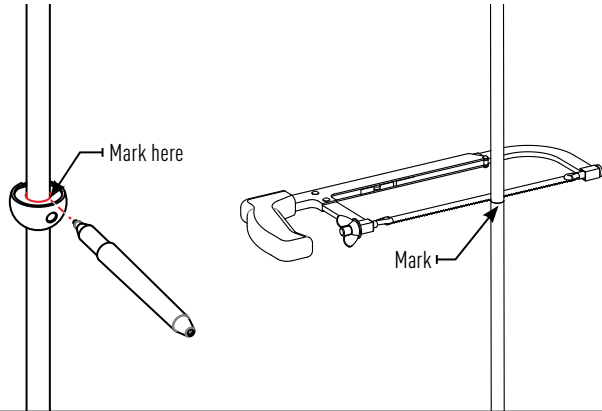


4" Gravity Enhanced Color Cylinder - Pendant Mounted

CUTTING PENDANT STEM (OPTION FOR CUSTOM HEIGHT):

1

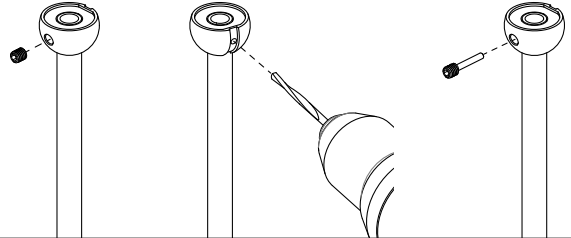
1. Place ball joint over pendant stem at desired install height. Mark cut line above the ball joint.
2. Remove ball joint and cut stem at marked cut line, deburr edges.



DRILLING HOLE FOR SET SCREW

2

1. Place ball joint over pendant stem, insert short set screw into ball joint and tighten.
2. Drill a 1/8" hole through the hole opposite of the set screw. Always use eye protection.
3. Loosen set screw and rotate ball joint 180° placing short set screw centered on drilled 1/8" hole. Tighten set screw allowing it to be centered on hole. You should see pin on inside of pendant when set correctly.
4. Drill a second 1/8" hole through the hole opposite of the set screw. Deburr any sharp edges.
5. Insert the long set screw into ball joint and pendant stem. Tighten long set screw using allen wrench.



MAINTENANCE:

1. Loosen M3 slotted set screw with a flat head screwdriver, pull canopy down to remove (twist clockwise or counter clockwise if hard to remove).
2. Disconnect wires from junction box.
3. Remove ball joint and pendant stem from universal mounting bracket.
4. Remove all three M3 x 10mm flat head fasteners and driver holder from cylinder.
5. Remove two 8-32 nuts from the driver and keep for replacement.
6. Replace new driver on driver plate, see wiring diagram on page 4.

