

⚠ WARNING

Risk of electrical shock. Disconnect power before servicing or installing luminaire.

⚠ WARNING

Risk of injury or damage. Luminaire will fail if not installed properly. Follow installation instructions.

⚠ WARNING

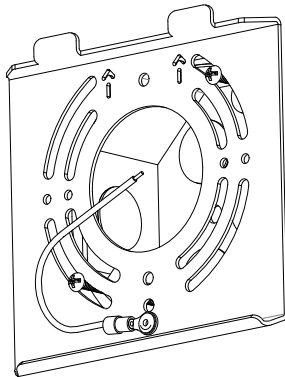
Risk of injury. Wear safety glasses and gloves during installation and servicing. Allow ample time to cool before handling.

IMPORTANT SAFETY INSTRUCTIONS

- Read all installation instructions before installing. It is important to save these instructions.
- **Only install and connect LED module with power disconnected at the circuit breaker. Hot plugging, or connecting the module with power on, could damage the LEDs and is not covered by warranty.**
- Observe and follow all label information and instructions regarding dry, damp and wet location listings, proper Intense LED module, warnings of installation near combustible materials and/or insulation.
- Be sure to connect ground wire to prevent electric shock or other potential hazards.
- The product must be installed in a manner consistent with the intended use and in compliance with the national electrical codes and local codes by a person familiar with the construction and operation of the product and the hazards involved.
- **WARNING: Use only Intense Lighting trims listed for use with this fixture. Use of trims other than those listed by Intense Lighting is a violation of N.E.C 110-3(B) and voids all warranties.**

MOUNTING BRACKET:

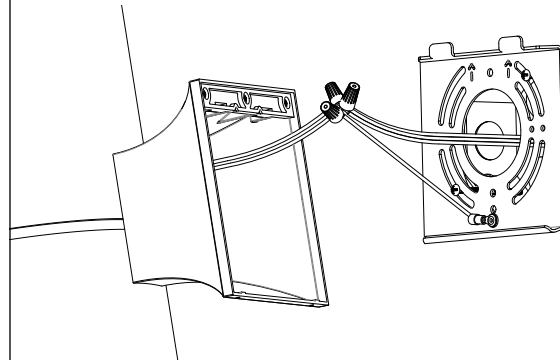
1. Attach universal mounting bracket to junction box using hardware supplied with junction box.



1

ELECTRICAL CONNECTIONS:

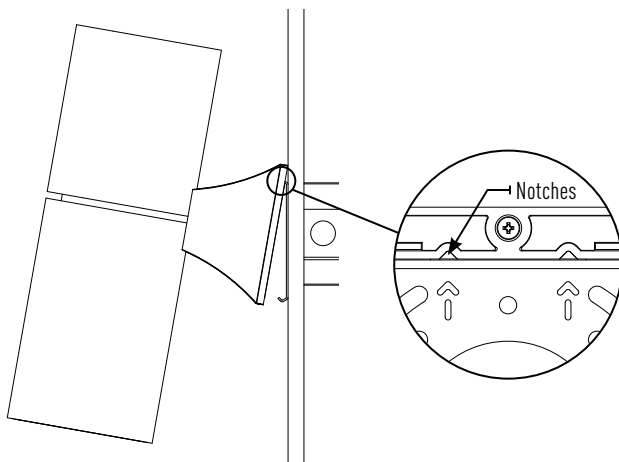
1. Make electrical connections through center hole of universal mounting bracket.
2. Connect ground wire from universal mounting bracket to green (ground) supply wire and ground wire from fixture, white wire from cylinder to white (neutral) supply wire and black wire from cylinder to black (hot) supply wire. Use UL listed connectors or wire nuts (by others) to make the connections. Connect dimming wires if applicable, see page 3.



2

MOUNTING CYLINDER TO MOUNTING BRACKET:

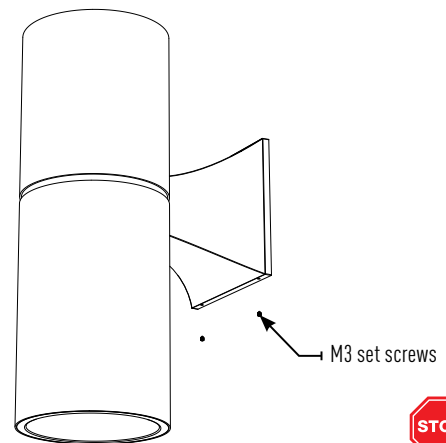
1. Lift cylinder up and over mounting bracket. Align the arrows on the mounting bracket with the notches on the wall mount.



3

FASTEN SET SCREWS:

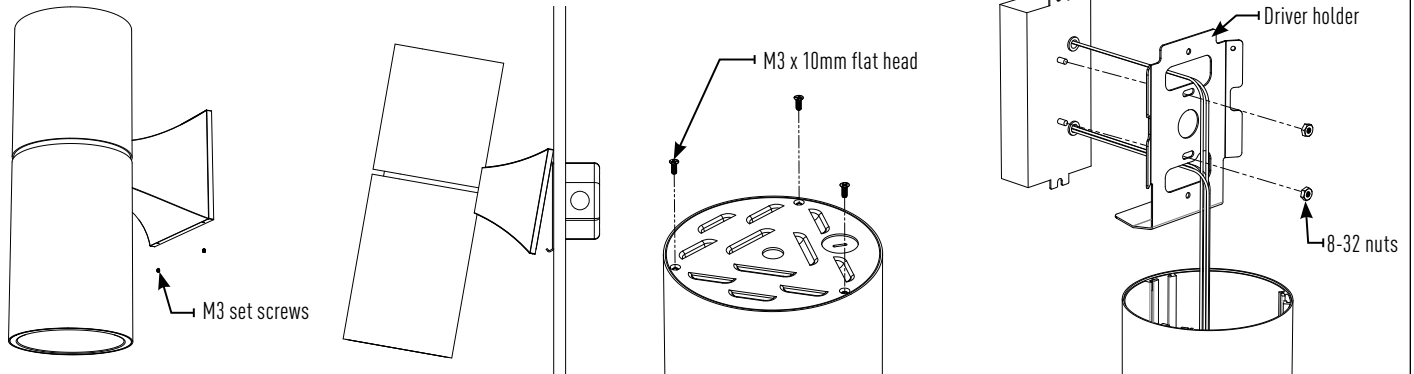
1. Attach the M3 slotted set screws under the wall mount with the hex key tool (do not overtighten).



4

MAINTENANCE:

1. Remove the M3 slotted set screws under the wall mount with flat head screwdriver.
2. Lift cylinder up and off mounting bracket, disconnect wires from junction box.
3. Remove all three M4 x 10mm flat head fasteners and keep for use on lid replacement.
4. Remove two 8-32 nuts from the driver and keep for replacement.
5. Replace new driver on driver plate, see wiring diagram on page 3.

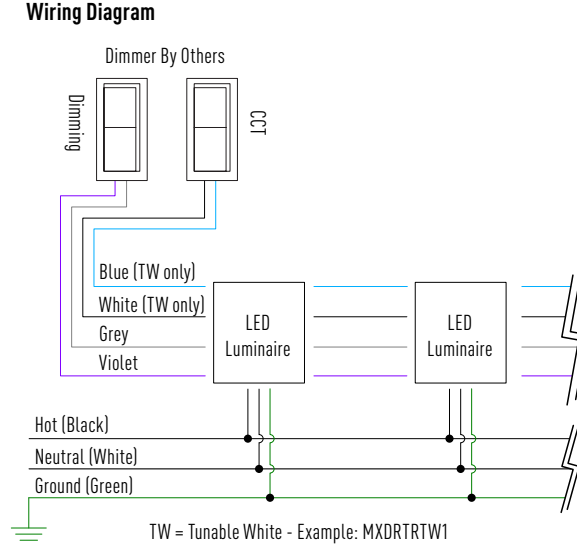


Tunable White only

For 0-10V Continuous CCT Control. Connect a 0-10V control device to the blue (+) and white (ground) wires. When the fixture is powered up, the 0-10V control will adjust the CCT over the tunable range.

Tunable White & Dynamic Dimming

A 0-10V control may also be added for dimming (as shown). Adjustments to Dimming levels are a percentage of the 0-10V Dim setting (Trim). If a 0-10V control is not used for dimming, the gray (ground) and violet (+) wires must be grounded together.



Compatible Control Systems

Brand	Model
Leviton	IP710-DLX
Leviton	IP710-LFZ
Leviton	Sapphire
Leviton	Omnitouch
Lutron	Diva, DVTV
Lutron	Nova-T, NTFTV
Lutron	Diva, NFTV
Lutron	Grafik Eye -GRX-TVI with GRX3503
Lutron	Energi Savr Node - QSN-4T16-S
Lutron	TVM2 Module
Lightotier	V2000FAMU
Lightotier	ZP600FAM120
Lightotier	MP1500FAM120
Watt Stopper	DCLV1

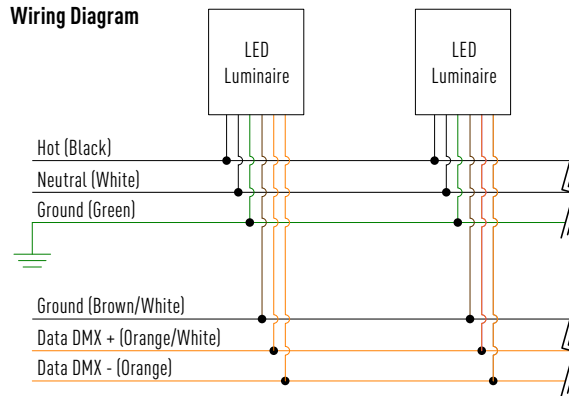
DMX RDM Dimming and Tuning Control Functions

Standard default is Ch 1 dimming and Ch 2 CCT Control for Tunable White.

Standard default is Ch 1 for Dynamic Warm Dimming

DMX Control Options

1. Warm dim mode: In this mode, the luminaire warms as it dims. It uses only one DMX-channel.
2. CCT tuning mode: In this mode, luminaire's CCT tunes along the black body curve. It uses two DMX-channels, one for Brightness control and one for CCT tuning



Compatible Control Systems

Brand	Model
Acuity	Fresco
DMXister	DMXister test suite
NXP	NXP RDM SDK
Pathway Connect	Pathport
Open Lighting Project	RDM test suite

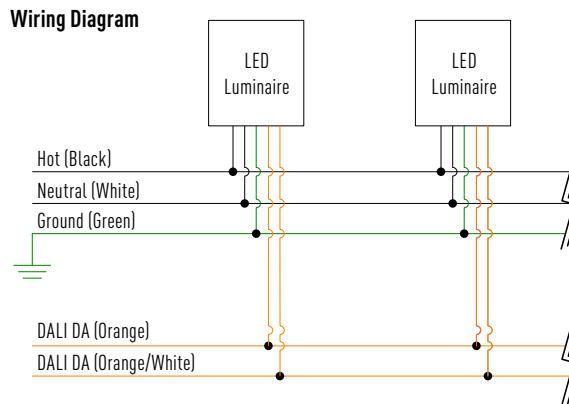
DALI Dimming and Tuning Control Functions

DALI Control Functions

The luminaire can be operating in two different modes:

- Dynamic warm dimming mode, DALI device type 6 (DT6) compatible (Control gear 102)
- CCT tuning mode, DALI device type 8 (DT8) compatible (Control gear: 209 Color control)

By default the unit will start up in warm dimming mode with base address 0, but when it receives a DT8 command (dim warm/cool) it will switch to the CCT tuning mode. It cannot switch automatically back. Only a special DALI command (SetToPHY_coolst=0) or resetting the ARD function will set it back to the warm dimming mode. This should not be done dynamically as there are only a limited amount of resets possible (10,000).



Compatible Control Systems

Brand	Model
Leviton	DALI Controller CD250-C
Hadler	DALI uP
Lunatone	DALI Switch 86459793