

## 4" Gravity Enhanced Color Cylinder - Surface Mount

### ⚠ WARNING

Risk of electrical shock. Disconnect power before servicing or installing luminaire.

### ⚠ WARNING

Risk of injury or damage. Luminaire will fail if not installed properly. Follow installation instructions.

### ⚠ WARNING

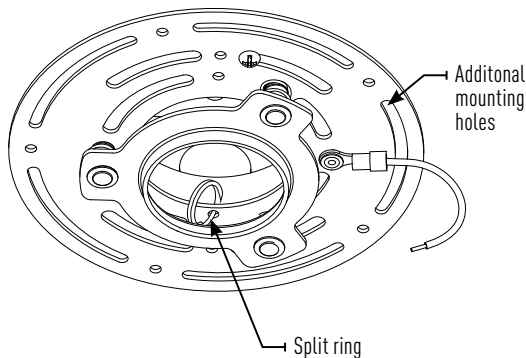
Risk of injury. Wear safety glasses and gloves during installation and servicing. Allow ample time to cool before handling.

### IMPORTANT SAFETY INSTRUCTIONS

- Read all installation instructions before installing. It is important to save these instructions.
- **Only install and connect LED module with power disconnected at the circuit breaker. Hot plugging, or connecting the module with power on, could damage the LEDs and is not covered by warranty.**
- Observe and follow all label information and instructions regarding dry, damp and wet location listings, proper Intense LED module, warnings of installation near combustible materials and/or insulation.
- Be sure to connect ground wire to prevent electric shock or other potential hazards.
- The product must be installed in a manner consistent with the intended use and in compliance with the national electrical codes and local codes by a person familiar with the construction and operation of the product and the hazards involved.
- **WARNING: Use only Intense Lighting trims listed for use with this fixture. Use of trims other than those listed by Intense Lighting is a violation of N.E.C 110-3(B) and voids all warranties.**

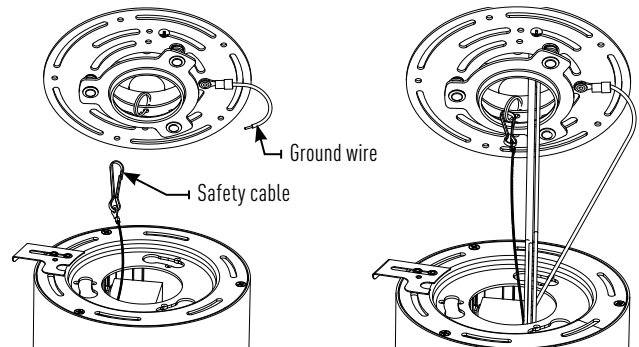
### ATTACH MOUNTING BRACKET TO JUNCTION BOX:

1. Attach the mounting bracket to junction box using hardware supplied with junction box.



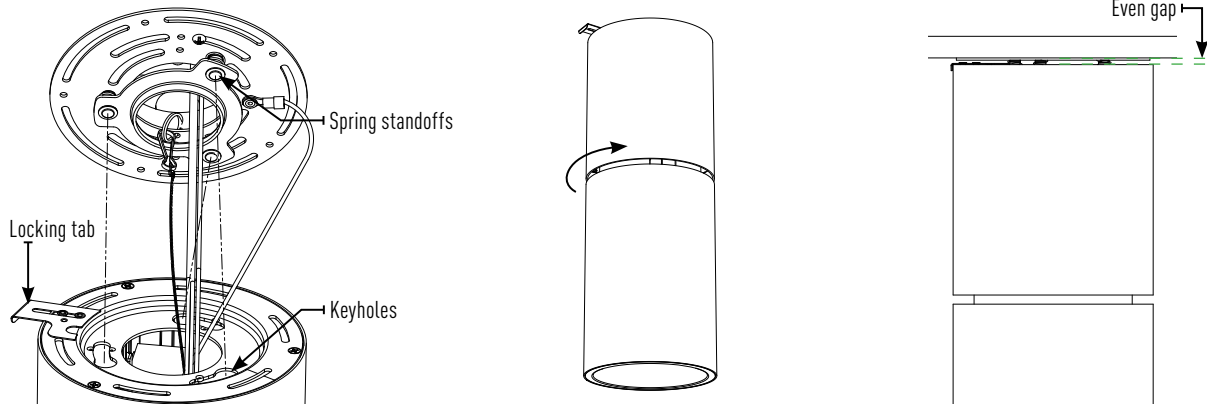
### ELECTRICAL CONNECTIONS:

1. Attach the safety cable from the cylinder to split ring on the mounting bracket.
2. Make electrical connections through center hole of the mounting bracket.
3. Connect ground wire from universal mounting bracket to green (ground) supply wire and ground wire from fixture, white wire from cylinder to white (neutral) supply wire and black wire from cylinder to black (hot) supply wire. Use UL listed connectors or wire nuts (by others) to make the connections. Connect dimming wires if applicable, see page 4.



### MOUNTING CYLINDER TO MOUNTING BRACKET:

1. Pull out the locking tab on the cylinder's top plate.
2. Align the keyholes on the cylinder's top plate with the spring standoffs.
3. Lift the cylinder into the spring standoffs and rotate the cylinder clockwise.
4. Make sure the gap between the ceiling and cylinder is even to ensure the fixture is installed correctly. Push

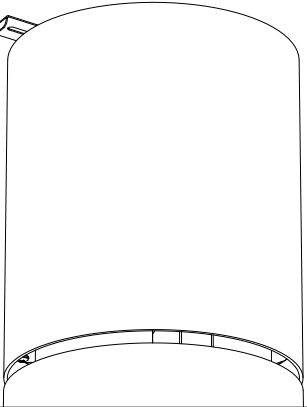


**LOCKING CYLINDER:**

1. Push in the locking tab to lock the cylinder into the spring standoff bracket.

4

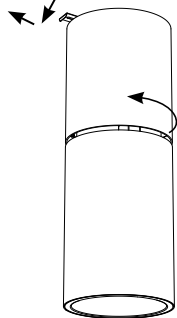
Locking tab



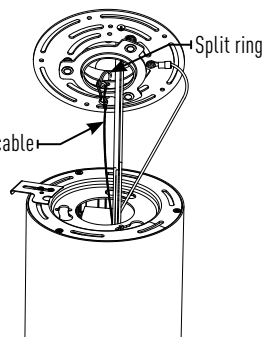
**MAINTENANCE:**

1. Pull out the locking tab on the cylinder's top plate. Lift up and rotate the cylinder counter clockwise to release it from the mounting bracket.
2. Disconnect wires from junction box and disconnect the safety cable from split ring if applicable.
3. Remove all three M3 x 10mm flat head fasteners and lid.
4. Remove two 8-32 nuts from the driver and keep for replacement.
5. Replace new driver on driver plate, see wiring diagram on page 3.

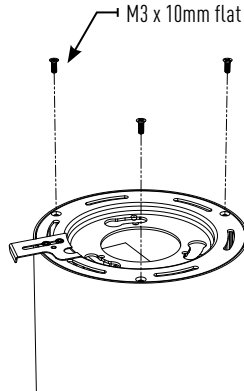
Pull out locking tab



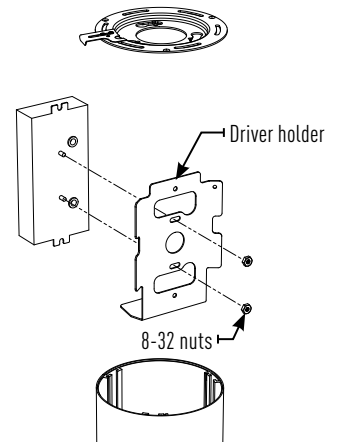
Safety cable



M3 x 10mm flat head



8-32 nuts

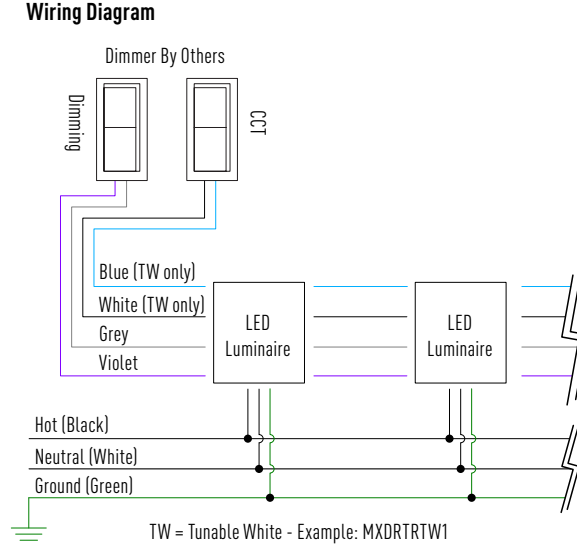


## Tunable White only

For 0-10V Continuous CCT Control. Connect a 0-10V control device to the blue (+) and white (ground) wires. When the fixture is powered up, the 0-10V control will adjust the CCT over the tunable range.

## Tunable White & Dynamic Dimming

A 0-10V control may also be added for dimming (as shown). Adjustments to Dimming levels are a percentage of the 0-10V Dim setting (Trim). If a 0-10V control is not used for dimming, the gray (ground) and violet (+) wires must be grounded together.



## Compatible Control Systems

Brand	Model
Leviton	IP710-DLX
Leviton	IP710-LFZ
Leviton	Sapphire
Leviton	Omnitouch
Lutron	Diva, DVTV
Lutron	Nova-T, NTFTV
Lutron	Diva, NFTV
Lutron	Grafik Eye -GRX-TVI with GRX3503
Lutron	Energi Savr Node - QSN-4T16-S
Lutron	TVM2 Module
Lightolier	V2000FAMU
Lightolier	ZP600FAM120
Lightolier	MP1500FAM120
Watt Stopper	DCLV1

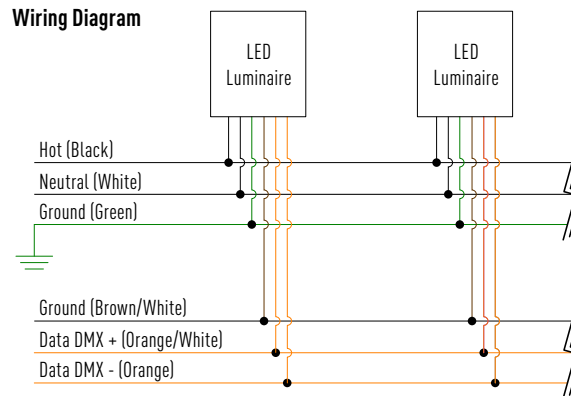
# DMX RDM Dimming and Tuning Control Functions

Standard default is Ch 1 dimming and Ch 2 CCT Control for Tunable White.

Standard default is Ch 1 for Dynamic Warm Dimming

## DMX Control Options

1. Warm dim mode: In this mode, the luminaire warms as it dims. It uses only one DMX-channel.
2. CCT tuning mode: In this mode, luminaire's CCT tunes along the black body curve. It uses two DMX-channels, one for Brightness control and one for CCT tuning



## Compatible Control Systems

Brand	Model
Acuity	Fresco
DMXister	DMXister test suite
NXP	NXP RDM SDK
Pathway Connect	Pathport
Open Lighting Project	RDM test suite

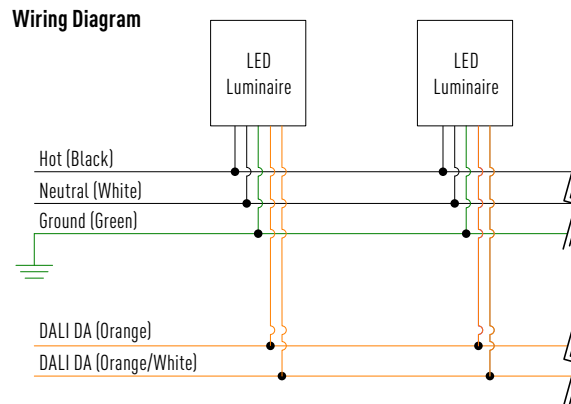
# DALI Dimming and Tuning Control Functions

## DALI Control Functions

The luminaire can be operating in two different modes:

- Dynamic warm dimming mode, DALI device type 6 (DT6) compatible (Control gear 102)
- CCT tuning mode, DALI device type 8 (DT8) compatible (Control gear: 209 Color control)

By default the unit will start up in warm dimming mode with base address 0, but when it receives a DT8 command (dim warm/cool) it will switch to the CCT tuning mode. It cannot switch automatically back. Only a special DALI command (SetToPHY\_coolst=0) or resetting the ARD function will set it back to the warm dimming mode. This should not be done dynamically as there are only a limited amount of resets possible (10,000).



## Compatible Control Systems

Brand	Model
Leviton	DALI Controller CD250-C
Hadler	DALI uP
Lunatone	DALI Switch 86459793