

**⚠ WARNING**

Risk of electrical shock. Disconnect power before servicing or installing luminaire.

**⚠ WARNING**

Risk of injury or damage. Luminaire will fail if not installed properly. Follow installation instructions.

**⚠ WARNING**

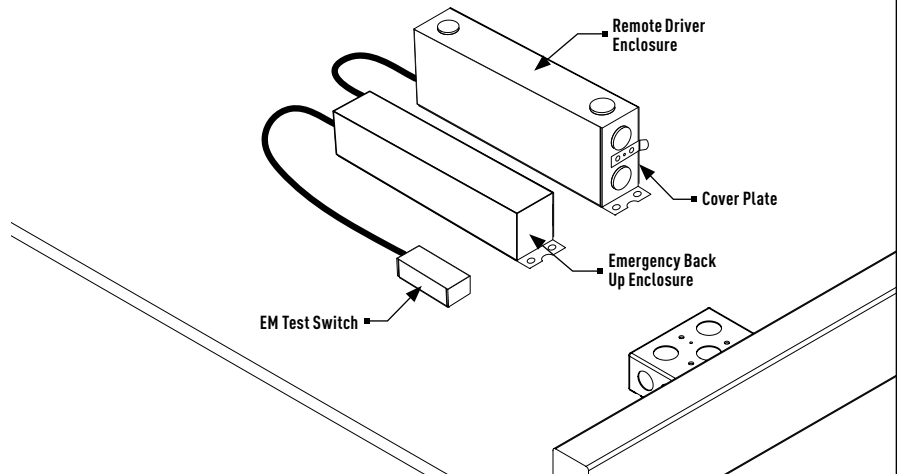
Risk of injury. Wear safety glasses and gloves during installation and servicing. Allow ample time to cool before handling.

**IMPORTANT SAFETY INSTRUCTIONS**

- Read all installation instructions before installing. It is important to save these instructions.
- Only install and connect LED module with power disconnected at the circuit breaker. Hot plugging, or connecting the module with power on, could damage the LEDs and is not covered by warranty.
- Observe and follow all label information and instructions regarding dry, damp and wet location listings, proper Intense LED module, warnings of installation near combustible materials and/or insulation.
- Be sure to connect ground wire to prevent electric shock or other potential hazards.
- The product must be installed in a manner consistent with the intended use and in compliance with the national electrical codes and local codes by a person familiar with the construction and operation of the product and the hazards involved.
- Do not block the trim aperture as this may cause unsafe operating conditions.
- **WARNING:** Use only Intense Lighting trims listed for use with this fixture. Use of trims other than those listed by Intense Lighting is a violation of N.E.C 110-3(B) and voids all warranties.

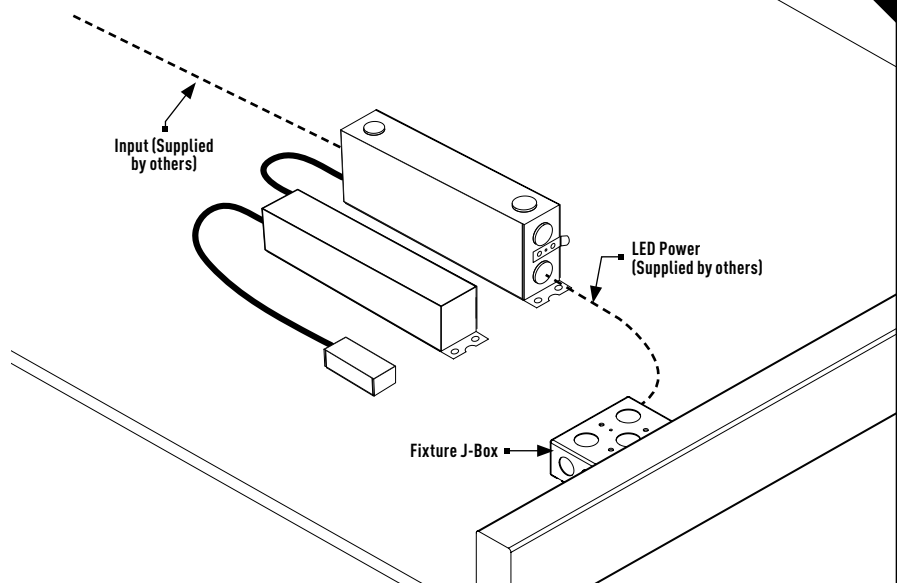
**REMOTE BOX INSTALLATION**

1. Attach remote box at two 1/4" holes on 6 inch centers with frame in installation hardware (supplied by others)
2. Remove cover plate



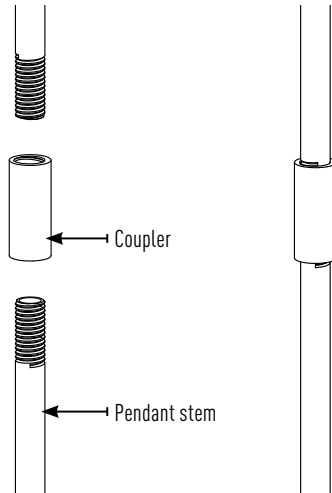
**REMOTE BOX INSTALLATION**

1. Remove required knockouts and run conduit to junction box fixture is attached to (\*\*maximum 50 feet length from fixture\*)
2. Run connecting wires for LED driver class 2 by local and national electrical regulations, minimum 18 awg wire and at maximum 50 feet length
3. Make electrical connections (See Page 5)
4. Reinstall cover plate with supplied 8-32 hardware, insure wires are clear of box edges not pinched or damaged when cover is screwed down



**FOR 96" PENDANT STEM ONLY:**

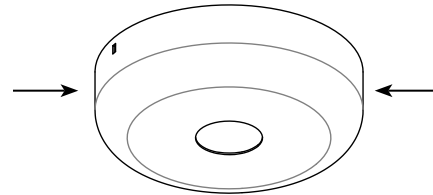
1. Connect both 48" pendant stems by threading each end into the coupler.



3

**REMOVE CANOPY FROM UNIVERSAL MOUNTING BRACKET:**

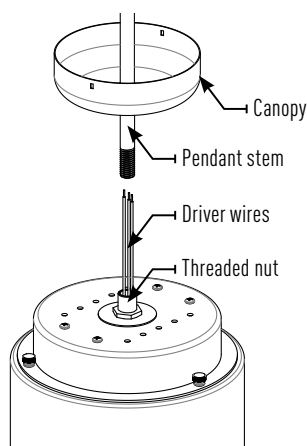
1. Squeeze the sides of the canopy to slide the canopy off the universal mounting bracket.



4

**WIRING PENDANT STEM:**

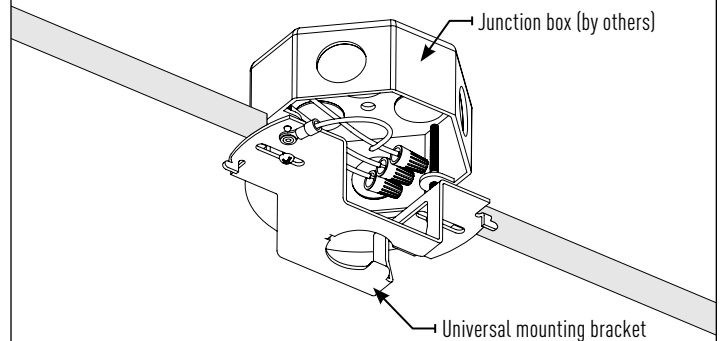
1. Slide canopy through the pendant stem.
2. Feed driver wires through pendant stem.
3. Screw threaded pendant stem to the threaded nut on top of the cylinder.



5

**ATTACH MOUNTING BRACKET TO JUNCTION BOX:**

1. Attach universal mounting bracket to junction box (by others) using hardware supplied.

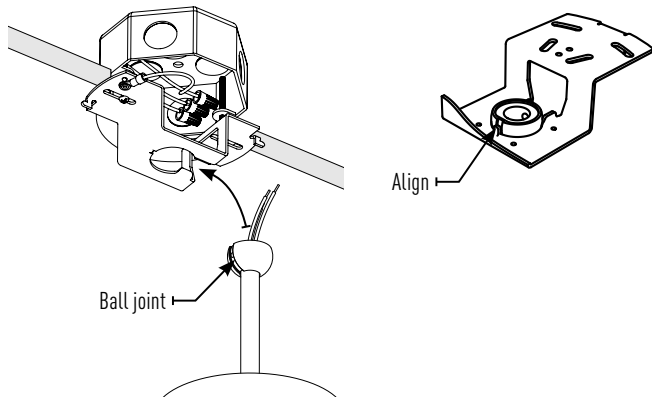


6

**SUSPEND BALL JOINT:**

7

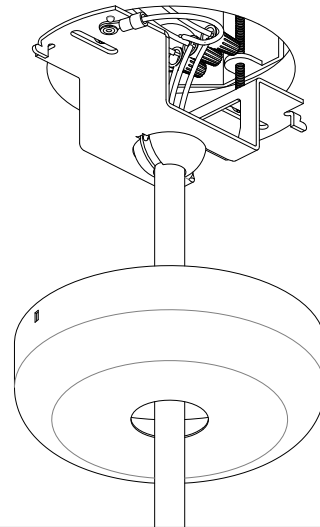
1. Insert ball joint through opening on universal mounting bracket.
2. Align the groove on the ball joint with the tab on the universal mounting bracket, opposite of the opening.



**ELECTRICAL CONNECTIONS:**

8

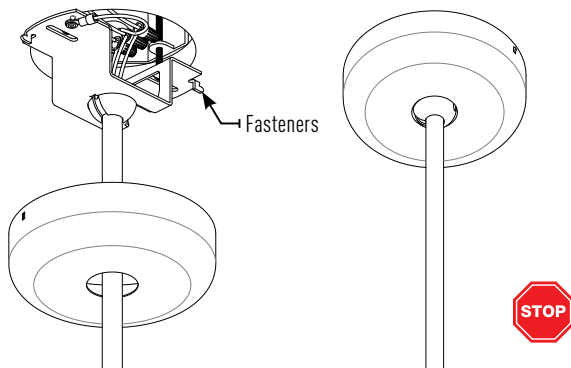
1. Make electrical connections inside of universal mounting bracket.
2. Connect ground from universal mounting bracket to green (ground) supply wire and ground wire from fixture, black wire from cylinder to black (hot) supply wire and white wire from cylinder to white (neutral) supply wire. Use UL listed connectors or wire nuts (by others) to make the connections. Connect dimming wires if applicable, see page 5.



**MOUNT THE CANOPY:**

9

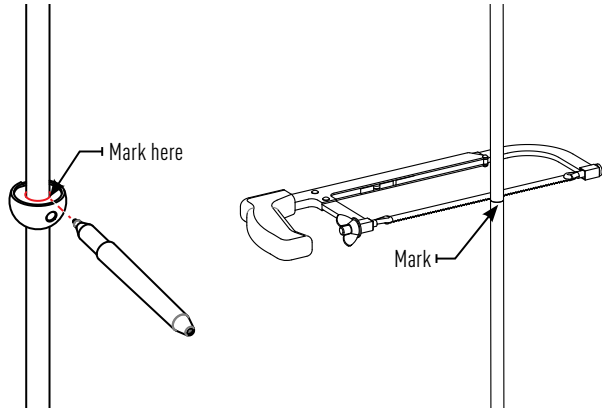
1. Slide canopy up and align with the fasteners on the universal mounting bracket.
2. Ensure canopy fastens over both mounting bracket fasteners.



### CUTTING PENDANT STEM (OPTION FOR CUSTOM HEIGHT):

1

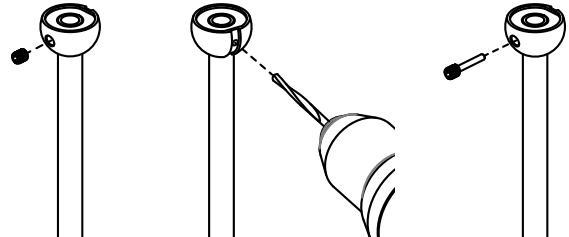
1. Place ball joint over pendant stem at desired install height. Mark cut line above the ball joint.
2. Remove ball joint and cut stem at marked cut line, deburr edges.



### DRILLING HOLE FOR SET SCREW

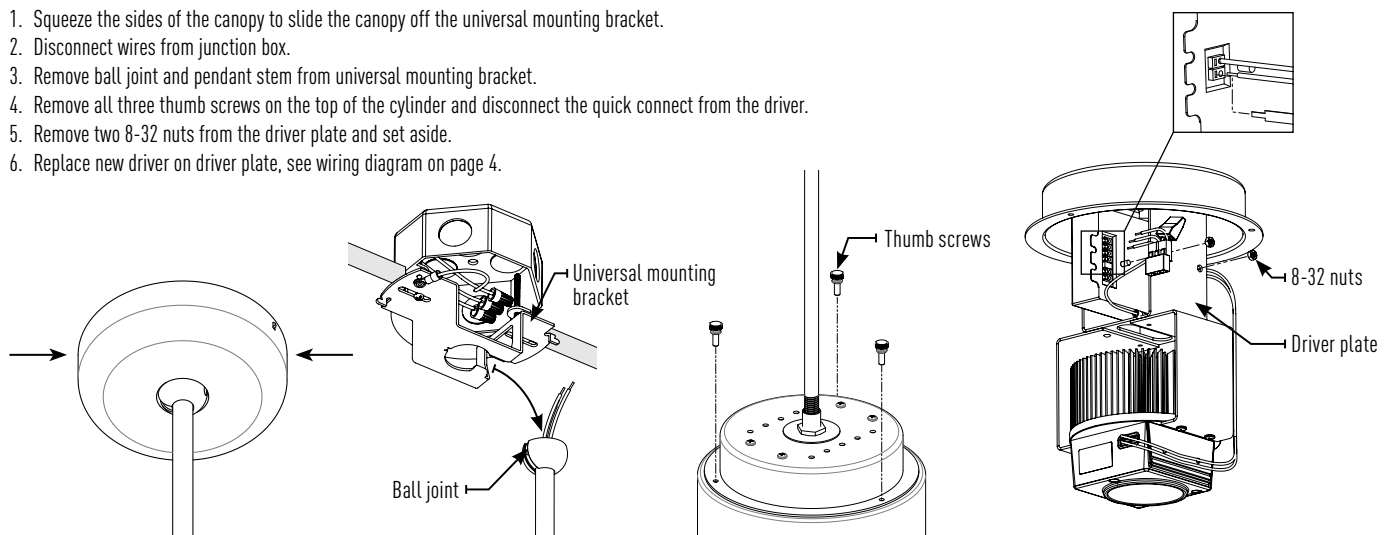
2

1. Place ball joint over pendant stem, insert short set screw into ball joint and tighten.
2. Drill a 1/8" hole through the hole opposite of the set screw. Always use eye protection.
3. Loosen set screw and rotate ball joint 180° placing short set screw centered on drilled 1/8" hole. Tighten set screw allowing it to be centered on hole. You should see pin on inside of pendant when set correctly.
4. Drill a second 1/8" hole through the hole opposite of the set screw. Deburr any sharp edges.
5. Insert the long set screw into ball joint and pendant stem. Tighten long set screw using allen wrench.



### MAINTENANCE:

1. Squeeze the sides of the canopy to slide the canopy off the universal mounting bracket.
2. Disconnect wires from junction box.
3. Remove ball joint and pendant stem from universal mounting bracket.
4. Remove all three thumb screws on the top of the cylinder and disconnect the quick connect from the driver.
5. Remove two 8-32 nuts from the driver plate and set aside.
6. Replace new driver on driver plate, see wiring diagram on page 4.

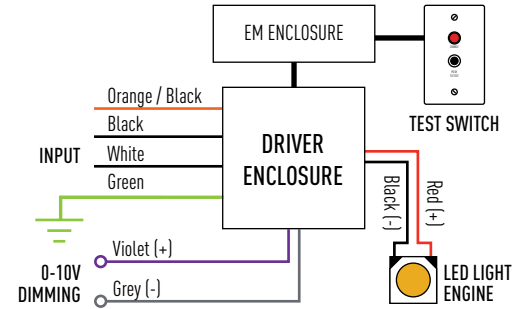


## 0-10V DIMMING (10% Dimming, eldoLED 1%, eldoLED 0.1%)

- 120V/277V
- Dims down to 10% light output
- Consult dimming manufacturer for installation instructions and power packs

### COMPATIBLE DIMMERS

Manufacturer	Part Number(s)
HUNT	PS-010-IV-120V, PS-010-WH-120V, PS-010-3W-IV-120, PS-010-3W-WH-120V, PS-010-IV-277V, PS-010-WH-277V, PS-010-3W-IV-277V, PS-010-3W-WH-277V, FD-010: PS-IFC-010-IV, PS-IFC-010-WH-120/277V, FD-010: PS-IFC-010-3W-IV, PS-IFC-010-3W-WH-120/277V, FD-010-120V, FD-010-277V
Leviton	Leviton Centura Fluorescent Control System, IllumaTech™ IP7 Series, DPSPE-212
Lightolier	ZP600FAM120, MP1500FAM120, V2000FAMU
Lithonia	LEQ BC, LEQ LVBC, SLD LVBC, SQ1DC
Lutron	DTV, NTFTV
Synergy	ISD BC 120/277

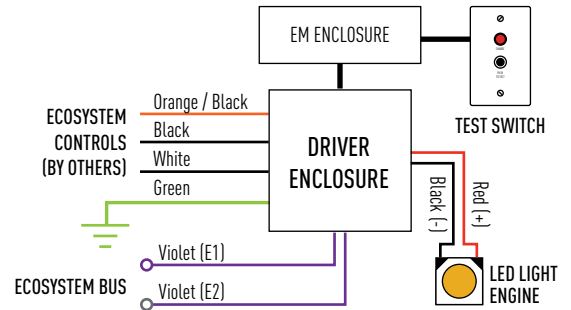


## LUTRON ECOSYSTEM® DIMMING

- 120V or 277V
- Dims down to less than 1% or 5% light output
- Consult dimming manufacturer for installation instructions

### COMPATIBLE DIMMERS

Product	Part Number(s)
EcoSystem	CS-1L-WM, CS-2L-WM, CS-1L-CM, CS-2L-CM, EcoSystem ESN, Grafik Eye QS with EcoSystem, Quantum



## DMX512 RDM DIMMING

- 120V or 277V
- Dims down to 0.1% light output
- RDM channel programmable

