

⚠ WARNING

Risk of electrical shock. Disconnect power before servicing or installing luminaire.

⚠ WARNING

Risk of injury or damage. Luminaire will fail if not installed properly. Follow installation instructions.

⚠ WARNING

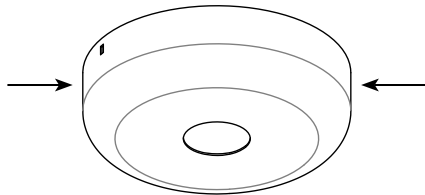
Risk of injury. Wear safety glasses and gloves during installation and servicing. Allow ample time to cool before handling.

IMPORTANT SAFETY INSTRUCTIONS

- Read all installation instructions before installing. It is important to save these instructions.
- Only install and connect LED module with power disconnected at the circuit breaker. Hot plugging, or connecting the module with power on, could damage the LEDs and is not covered by warranty.
- Observe and follow all label information and instructions regarding dry, damp and wet location listings, proper Intense LED module, warnings of installation near combustible materials and/or insulation.
- Be sure to connect ground wire to prevent electric shock or other potential hazards.
- The product must be installed in a manner consistent with the intended use and in compliance with the national electrical codes and local codes by a person familiar with the construction and operation of the product and the hazards involved.
- Do not block the trim aperture as this may cause unsafe operating conditions.
- **WARNING:** Use only Intense Lighting trims listed for use with this fixture. Use of trims other than those listed by Intense Lighting is a violation of N.E.C 110-3(B) and voids all warranties.

REMOVE CANOPY FROM UNIVERSAL MOUNTING BRACKET:

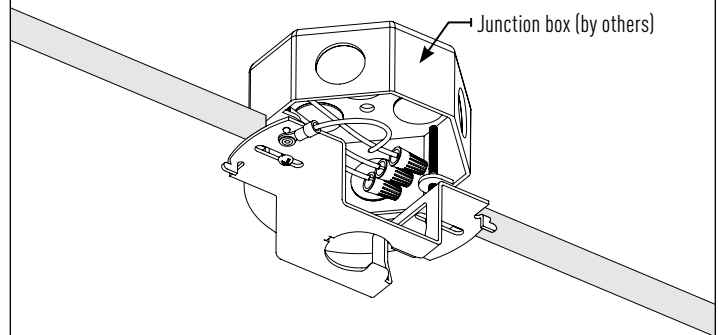
1. Squeeze the sides of the canopy to slide the canopy off the universal mounting bracket.



1

ATTACH MOUNTING BRACKET TO JUNCTION BOX:

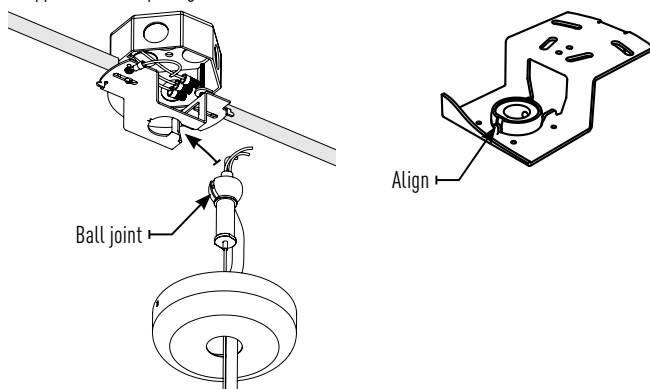
1. Attach universal mounting bracket to junction box (by others) using hardware supplied.



2

SUSPEND BALL JOINT:

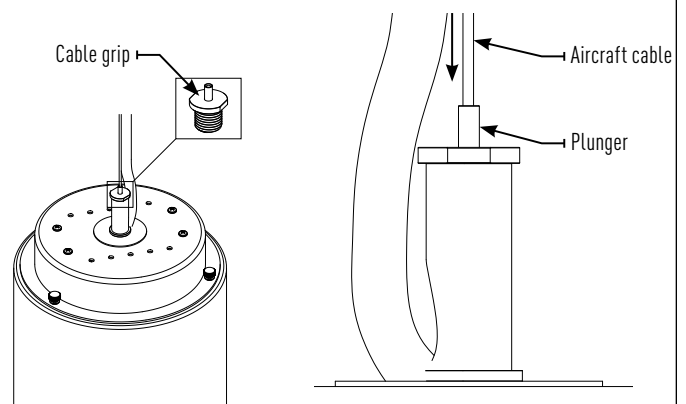
1. Remove ball joint and insert canopy through wiring.
2. Screw ball joint back onto cable glider.
3. Insert ball joint through opening on universal mounting bracket.
4. Align the groove on the ball joint with the tab on the universal mounting bracket, opposite of the opening.



3

FASTENING AIRCRAFT CABLE TO LID:

1. Screw on cable grip into the top of the cylinder.
2. Depress plunger and slide aircraft cable into housing until fixture is at desired height.
3. Release the plunger to lock cable into position.

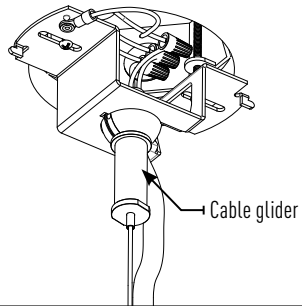


4

ELECTRICAL CONNECTIONS:

5

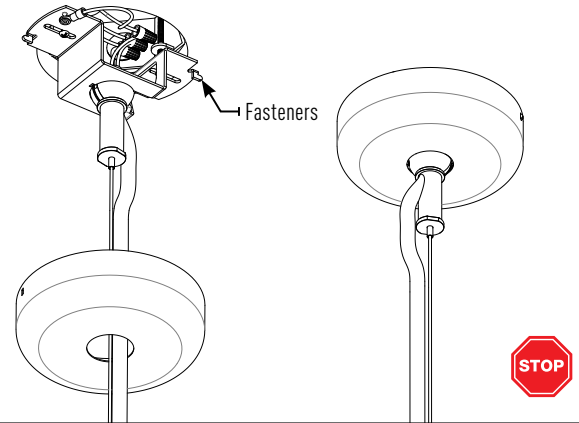
1. Pull excess power cable through cable glider.
2. Make electrical connections inside of universal mounting bracket.
3. Connect ground wire from universal mounting bracket to green (ground) supply wire and ground wire from fixture, black wire from cylinder to black (hot) supply wire and white wire from cylinder to white (neutral) supply wire. Use UL listed connectors or wire nuts (by others) to make the connections. Connect dimming wires if applicable, see page 4.



MOUNT THE CANOPY:

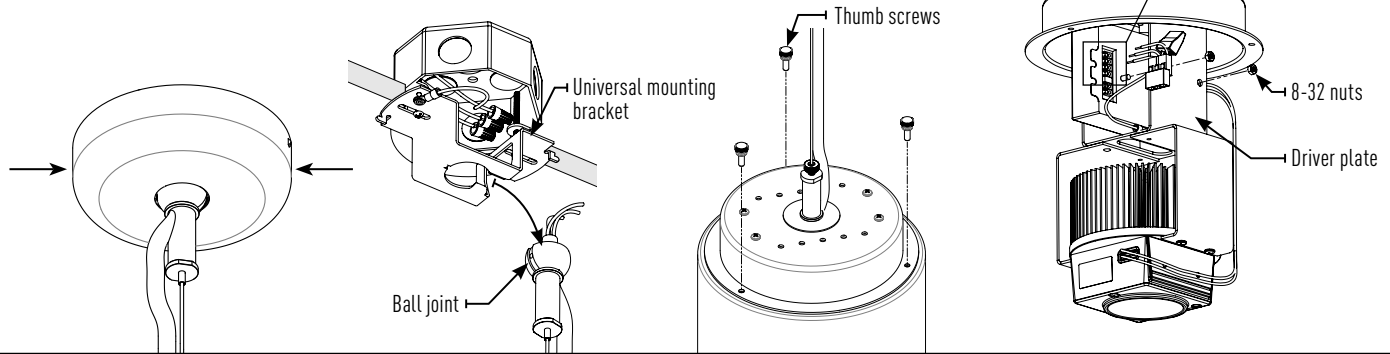
6

1. Slide canopy up and align with the fasteners on the universal mounting bracket.
2. Ensure canopy fastens over both mounting bracket fasteners.



MAINTENANCE:

1. Squeeze the sides of the canopy to slide the canopy off the universal mounting bracket.
2. Disconnect wires from junction box.
3. Remove ball joint and cable glider from universal mounting bracket.
4. Remove all three thumb screws on the top of the cylinder and disconnect the quick connect from the driver.
5. Remove two 8-32 nuts from the driver plate and set aside.
6. Replace new driver on driver plate, see wiring diagram on page 4.

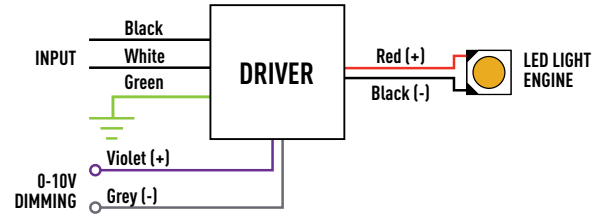


0-10V DIMMING

- 120V/277V
- Dims down to 1% or 0.1% light output
- Consult dimming manufacturer for installation instructions and power packs

COMPATIBLE DIMMERS

Manufacturer	Part Number(s)
HUNT	PS-010-IV-120V, PS-010-WH-120V, PS-010-3W-IV-120, PS-010-3W-WH-120V, PS-010-IV-277V, PS-010-WH-277V, PS-010-3W-IV-277V, PS-010-3W-WH-277V, FD-010: PS-IFC-010-IV, PS-IFC-010-WH-120/277V, FD-010: PS-IFC-010-3W-IV, PS-IFC-010-3W-WH-120/277V, FD-010-120V, FD-010-277V
Leviton	Leviton Centura Fluorescent Control System, IllumaTech™ IP7 Series, DPSPE-212
Lightolier	ZP600FAM120, MP1500FAM120, V2000FAMU
Lithonia	LEQ BC, LEQ LVBC, SLD LVBC, SQ1DC
Lutron	DVTV, NTFTV
Synergy	ISD BC 120/277

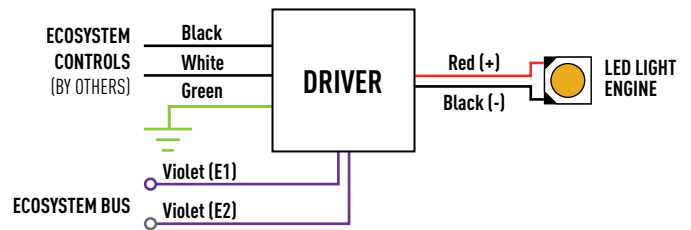


LUTRON ECOSYSTEM® DIMMING

- 120V or 277V
- Dims down to 1% or 5%
- Consult dimming manufacturer for installation instructions

COMPATIBLE DIMMERS

CS-1L-WM, CS-2L-WM, CS-1L-CM, CS-2L-CM, EcoSystem ESN, Grafik Eye QS with EcoSystem, Quantum



DMX512 RDM DIMMING

- 120V or 277V
- Dims down to 0.1% light output
- RDM channel programmable

