

**⚠ WARNING**  
**Risk of electrical shock. Disconnect power before servicing or installing luminaire.**

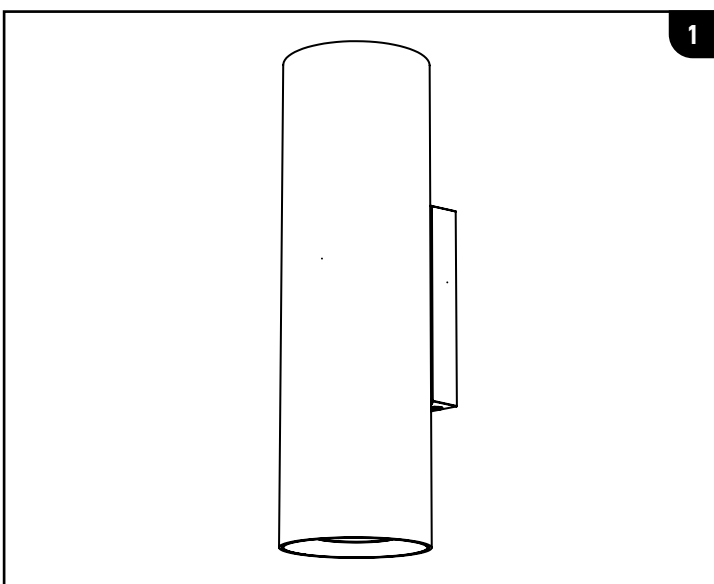
**⚠ WARNING**  
**Risk of injury or damage. Luminaire will fail if not installed properly. Follow installation instructions.**

**⚠ WARNING**  
**Risk of injury. Wear safety glasses and gloves during installation and servicing. Allow ample time to cool before handling.**

**IMPORTANT SAFETY INSTRUCTIONS**

- Read all installation instructions before installing. It is important to save these instructions.
- Only install and connect LED module with power disconnected at the circuit breaker. Hot plugging, or connecting the module with power on, could damage the LEDs and is not covered by warranty.
- Connectors on modules and approved housings are keyed for specific voltage combinations; do not force or attempt to bypass connectors.
- Observe and follow all label information and instructions regarding dry, damp and wet location listings, proper Intense LED module, warnings of installation near combustible materials and/or insulation.
- Turn off power at circuit breaker before attempting to install or perform maintenance on the fixtures.
- Be sure to connect ground wire to prevent electric shock or other potential hazards.
- The product must be installed in a manner consistent with the intended use and in compliance with the national electrical codes and local codes by a person familiar with the construction and operation of the product and the hazards involved.
- Do not block the trim aperture as this may cause unsafe operating conditions.
- **WARNING: RISK OF FIRE.** Non-IC fixture requires that insulation must be kept at least 3" away from all sides of the fixture. Minimum of 90°C supply conductors. Consult a qualified electrician before installation.

**WARNING:** Use only Intense Lighting trims listed for use with this fixture. Use of trims other than those listed by Intense Lighting is a violation of N.E.C 110-3(B) and voids all warranties.

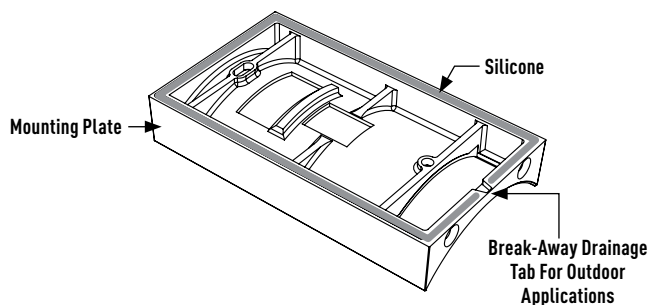


**1**

**MOUNTING BRACKET INSTALLATION (OUTDOOR ONLY)**

**2**

1. To prevent moisture from entering the outlet box and causing short, use clear silicone sealant to outline the outside of the fixture mounting plate where it meets the wall leaving a space at bottom to allow moisture a means to escape.
2. For outdoor applications, break-away the drainage tab with pliers to ensure that water will drain away from mounting bracket.



**ELECTRICAL CONNECTIONS:**

1. Shut off power at the circuit breaker.
2. Make electrical connections through desired knock out for conduit or romex® cable. Use only UL listed connectors.
3. Connect the ground from fixture to green (GROUND) supply wire, white wire from fixture to white (NEUTRAL) supply wire and connect black wire from fixture to black (HOT) supply wire. Use UL listed connectors or wire nuts to make the connections (provided by others).
4. Use (2) 6-32 Flat Head to attach mounting plate to outlet box, ensuring all wire connections and wires contained within.

**3**

# Installation Instructions

3.5" MX G2 LED Cylinder - Wall Mount (For use with MXG2PRD / MXG2PSD with Wall Mount Option)

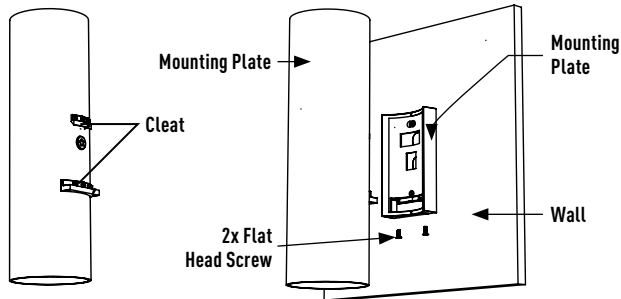
IS-C1069R2

2 of 4

## MODULE INSTALLATION:

4

1. Shut off power at circuit breaker.
2. Align Cleats on housing with Mounting Plate.
3. Use 2 Flat Head Screws to lock it in place.
4. Once fixture has been installed, power at the breaker can be restored.



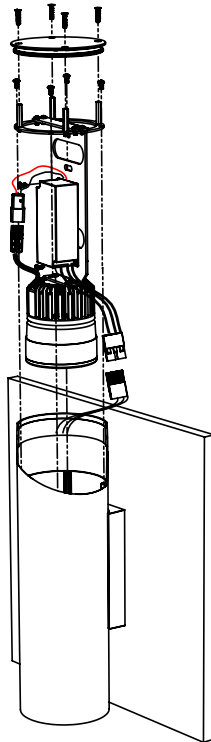
## FIXTURE SERVICING (Indoor Only)

To service outdoor units consult factory for servicing procedures.

### SERVICING DRIVER (DOWNLIGHT ONLY):

S1

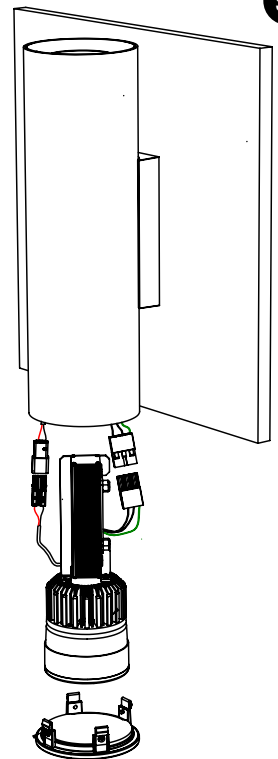
1. Shut off power at circuit breaker.
2. Loosen four M3X14FHSS and remove Top Trim.
3. Loosen M3X6PHP (4X) and pull up Module Assembly with Driver Bracket.
4. Disconnect Line Power Quick Connectors.
5. Disconnect 0-10V DIMMING Quick Connect; hot plugging may damage LEDs.
6. Loosen two M3X6PHP on Driver Bracket and replace driver.



### SERVICING DRIVER (UP/DOWNLIGHT ONLY):

S2

1. Shut off power at circuit breaker.
2. Remove bottom Trim.
3. Loosen M3X6PHP (4X) & pull down Module Assembly with Driver Bracket.
4. Disconnect Line Power Quick Connectors.
5. Disconnect 0-10V DIMMING Quick Connect; hot plugging may damage LEDs.
6. Loosen two hex nuts on Driver Bracket and replace driver.



# WIRING & DIMMING COMPATIBILITY

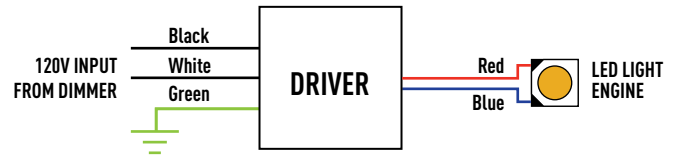
For use with all Intense Lighting product with supported dimming options.  
Please check configuration of product for correct dimming protocol.

## Phase Dimming or Lutron® LTEA2W Hi-Lume 2-Wire

- 120V Only
- Forward 1% / Reverse 5%

### COMPATIBLE DIMMERS

Product	Part Number(s)	Type
Leviton	IPE04	Reverse
Leviton	IPI06-1LZ	Forward
Leviton	6633-P	Forward
Lutron	DVELV300P	Reverse
Lutron	DVCL-153P	Forward
Lutron	S600P	Forward
Cooper	DLC03P	Forward
Cooper	DAL06P	Forward

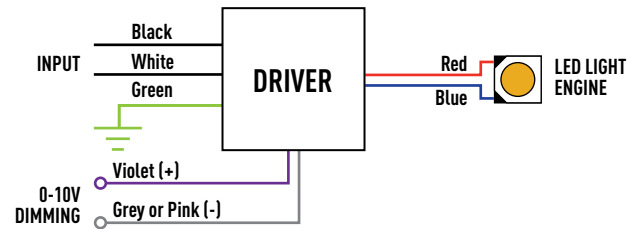


## 0-10V Dimming

- 120V or 277V
- Dims down to 1% or 0.1% light output
- Consult dimming manufacturer for installation instructions and power packs

### COMPATIBLE DIMMERS

Manufacturer	Part Number(s)
HUNT	PS-010-IV-120V, PS-010-WH-120V, PS-010-3W-IV-120, PS-010-3W-WH-120V, PS-010-IV-277V, PS-010-WH-277V, PS-010-3W-IV-277V, PS-010-3W-WH-277V, FD-010: PS-IFC-010-IV, PS-IFC-010-WH-120/277V, FD-010: PS-IFC-010-3W-IV, PS-IFC-010-3W-WH-120/277V, FD-010-120V, FD-010-277V Leviton Centura Fluorescent Control System, IlumaTech™ IP7 Series, DPSPE-212 ZP600FAM120, MP1500FAM120, V2000FAMU
Leviton	LEQ BC, LEQ LVBC, SLD LVBC, SQ1DC
Lithonia	DVTV, NTFTV
Lutron	ISD BC 120/277
Synergy	

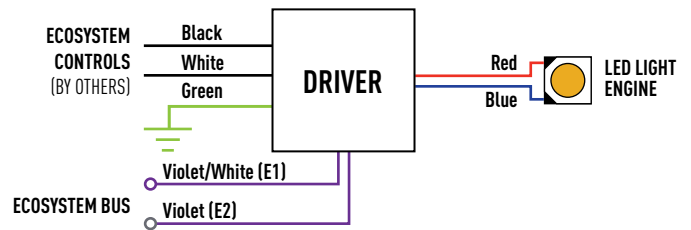


## Lutron® LDE1 Hi-Lume EcoSystem

- 120V or 277V
- Dims down to 1%
- Consult dimming manufacturer for installation instructions

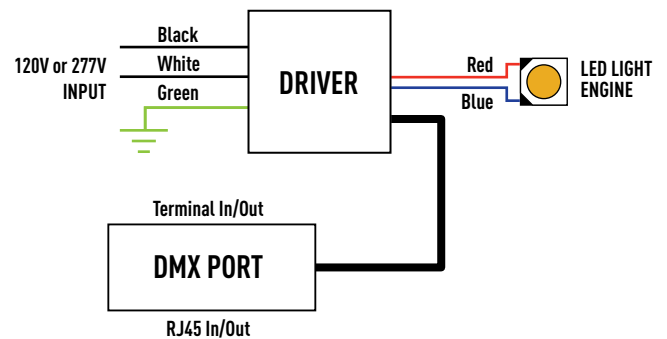
### COMPATIBLE DIMMERS

Product	Part Number(s)
EcoSystem	CS-1L-WM, CS-2L-WM, CS-1L-CM, CS-2L-CM, EcoSystem ESN, Grafik Eye QS with EcoSystem, Quantum



## DMX512 RDM (Downlights with RJ45)

- 120V or 277V
- Dims Down to 0.1% Light Output
- RDM Channel Programmable

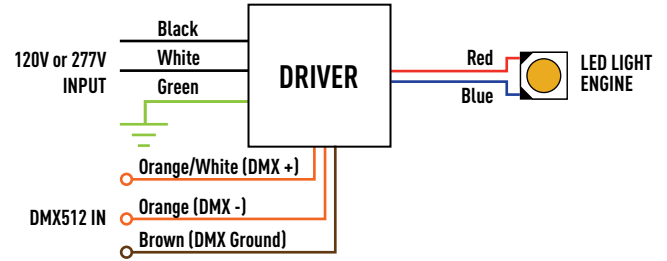


# WIRING & DIMMING COMPATIBILITY

For use with all Intense Lighting product with supported dimming options.  
Please check configuration of product for correct dimming protocol.

## DMX512 RDM (Cylinders without RJ45)

- 120V or 277V
- Dims Down to 0.1% Light Output
- RDM Channel Programmable

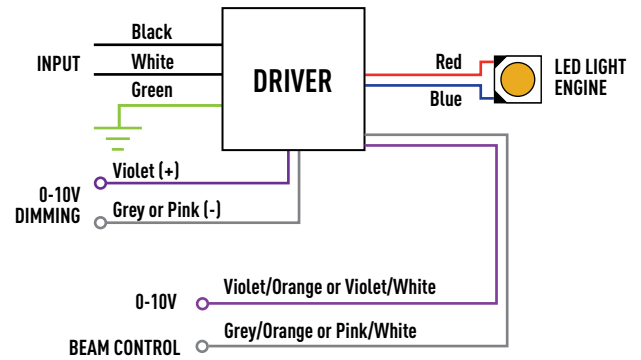


## 0-10V With Dynamic Beam

- 120V or 277V
- Dims down to 1% or 0.1% light output
- Consult dimming manufacturer for installation instructions and power packs

### COMPATIBLE DIMMERS

Manufacturer	Part Number(s)
HUNT	PS-010-IV-120V, PS-010-WH-120V, PS-010-3W-IV-120, PS-010-3W-WH-120V, PS-010-IV-277V, PS-010-WH-277V, PS-010-3W-IV-277V, PS-010-3W-WH-277V, FD-010: PS-IFC-010-IV, PS-IFC-010-WH-120/277V, FD-010: PS-IFC-010-3W-IV, PS-IFC-010-3W-WH-120/277V, FD-010-120V, FD-010-277V
Leviton	Leviton Centura Fluorescent Control System, IllumaTech™ IP7 Series, DPSPE-212
Lightolier	ZP600FAM120, MP1500FAM120, V2000FAMU
Lithonia	LEQ BC, LEQ LVBC, SLD LVBC, SQ1DC
Lutron	DVTV, NTFTV
Synergy	ISD BC 120/277

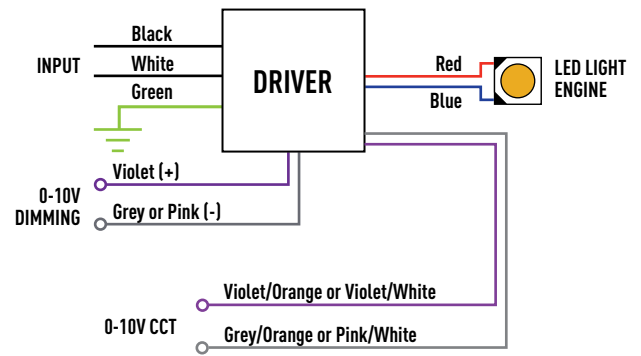


## 0-10V With Tunable White

- 120V or 277V
- Dims down to 1% or 0.1% light output
- Consult dimming manufacturer for installation instructions and power packs

### COMPATIBLE DIMMERS

Manufacturer	Part Number(s)
HUNT	PS-010-IV-120V, PS-010-WH-120V, PS-010-3W-IV-120, PS-010-3W-WH-120V, PS-010-IV-277V, PS-010-WH-277V, PS-010-3W-IV-277V, PS-010-3W-WH-277V, FD-010: PS-IFC-010-IV, PS-IFC-010-WH-120/277V, FD-010: PS-IFC-010-3W-IV, PS-IFC-010-3W-WH-120/277V, FD-010-120V, FD-010-277V
Leviton	Leviton Centura Fluorescent Control System, IllumaTech™ IP7 Series, DPSPE-212
Lightolier	ZP600FAM120, MP1500FAM120, V2000FAMU
Lithonia	LEQ BC, LEQ LVBC, SLD LVBC, SQ1DC
Lutron	DVTV, NTFTV
Synergy	ISD BC 120/277



## DALI With Tunable White

- 120V or 277V
- Dims down to 0.1%

