

Installation Instructions

IS-P10019R1

1 of 6

For Use with GX Adapt - Cable Suspended With Integral or Remote Driver Option

⚠ WARNING

Risk of electrical shock. Disconnect power before servicing or installing luminaire.

⚠ WARNING

Risk of injury or damage. Luminaire will fail if not installed properly. Follow installation instructions.

⚠ WARNING

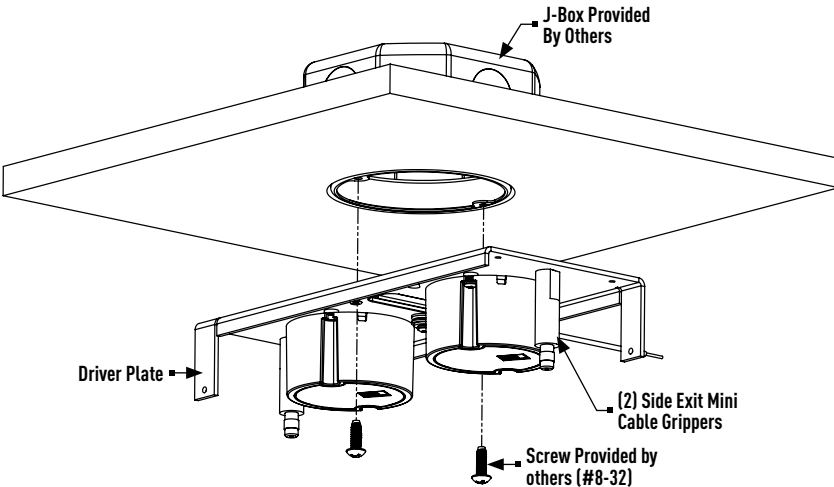
Risk of injury. Wear safety glasses and gloves during installation and servicing. Allow ample time to cool before handling.

IMPORTANT SAFETY INSTRUCTIONS

- Read all installation instructions before installing. It is important to save these instructions.
- **Only install and connect LED module with power disconnected at the circuit breaker. Hot plugging, or connecting the module with power on, could damage the LEDs and is not covered by warranty.**
- Observe and follow all label information and instructions regarding dry, damp and wet location listings, proper Intense LED module, warnings of installation near combustible materials and/or insulation.
- Turn off power at circuit breaker before attempting to install or perform maintenance on the fixtures.
- Be sure to connect ground wire to prevent electric shock or other potential hazards.
- The product must be installed in a manner consistent with the intended use and in compliance with the national electrical codes and local codes by a person familiar with the construction and operation of the product and the hazards involved.
- Do not block the trim aperture as this may cause unsafe operating conditions.
- **WARNING: RISK OF FIRE.** Non-IC fixture requires that insulation must be kept at least 3" away from all sides of the fixture. Minimum of 90°C supply conductors. Consult a qualified electrician before installation.

WARNING: Use only Intense Lighting trims listed for use with this fixture. Use of trims other than those listed by Intense Lighting is a violation of N.E.C 110-3(B) and voids all warranties.

1

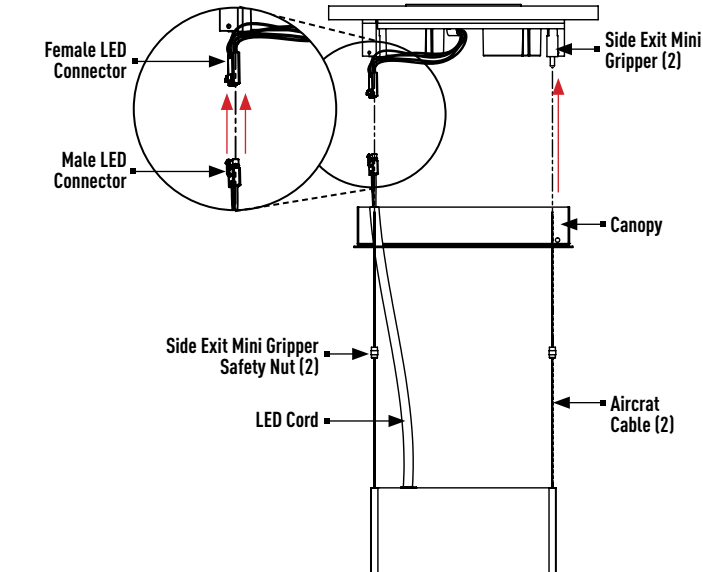


ELECTRICAL CONNECTIONS:

1. Turn off the power at the breaker before proceeding.
2. Use only UL listed connectors for the following steps.
3. Connect the black wire from the fixture to the black (HOT) supply wire.
4. Connect the white wire from the fixture to the white (NEUTRAL) supply wire.
5. Connect the ground wire from the fixture to the green (GROUND) supply wire.
6. Utilize UL listed connectors or wire nuts to securely make the connections (wire nuts are provided by others).
7. Attach the Driver Plate using two screws (#8-32) provided by others, making sure all wire connections and wires are contained within the fixture.

Note: For Remote Driver Instruction See Page 5-6

2



Aircraft Cable Suspension Install:

1. Loosen the Safety Nut from the Side Exit Mini Gripper. (2 pieces)
2. Insert the Aircraft Cable through the Safety Nut hole. (2 pieces)
3. Insert the Aircraft Cable into the Side Exit Mini Gripper. (2 pieces)
4. Plug in the Male LED Connector (Cord) to the Female LED Connector (Driver Plate).

INSTRUCTIONS LJM-04042024 P-7

INTENSE LIGHTING | 3340 E La Palma Ave, Anaheim, CA 92806 | tel 714 630-9877 | fax 714 630-9883

For Intense Lighting's limited product warranty, go to www.intenselighting.com. For a printed copy of the warranty, you may call 800 961-5321.

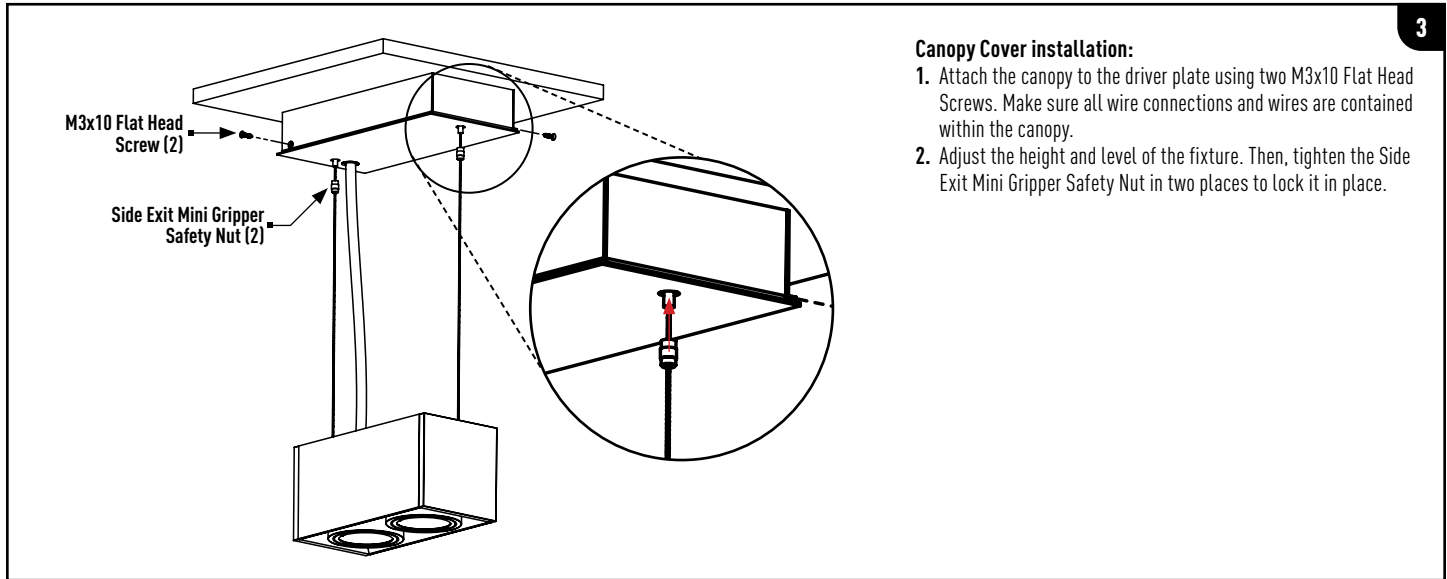
© 2024 Intense Lighting, LLC. All rights reserved. Note: This document is subject to change without notice.

Installation Instructions

For Use with GX Adapt - Cable Suspended With Integral or Remote Driver Option

IS-P10019R1

2 of 6

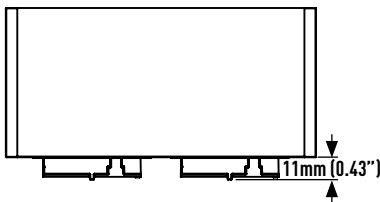


Fixture Head Adjustments & Aiming

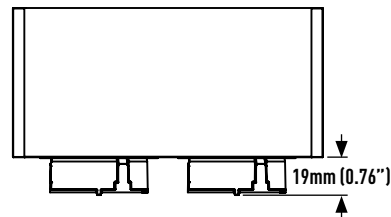
LED Head Position 1



LED Head Position 2



LED Head Position 3



Lowering LED Head:

- Turn the LED head clockwise using the adjustment tab to lower it to position 1.
- Continue turning clockwise until the LED head is fully recessed for position 2.

Raising LED Head:

- Lightly push up the LED head and turn it counter clockwise using the adjustment tab to raise it to position 2.
- To return the LED head to positions 1, lightly push the LED head and continue turning it counter clockwise until it is fully raised.

LED Head Aiming:

- LED Head can only be aimed in position 3.
- To aim the LED head, locate the aiming marker and push/turn the head in that direction to the desired angle.
- To return the LED head to position 3, push the opposite side of the aiming marker until the LED head is aligned with the fixture.

50° of Tilt 350° of Rotation

Installation Instructions

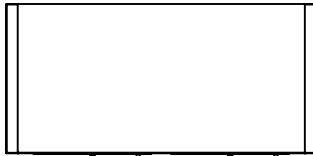
For Use with GX Adapt - Cable Suspended With Integral or Remote Driver Option

IS-P10019R1

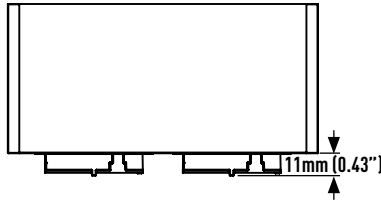
4 of 6

Accessories & Optics

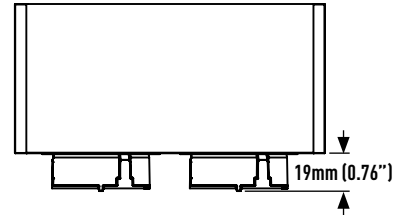
LED Head Position 1



LED Head Position 2



LED Head Position 3



Fixture In Position 3

Accessory Holder Tab

LED Head

LED Eye Ball

Optic

(1) Filter Media

Clear Lens

Accessory Holder

(1) Filter Media

Clear Lens

Hex Louver

Hex Louver Accessory Holder

Removing and Installing Accessory Holder:

1. Before attempting to remove the accessory holder, ensure the LED head is in position 3.
2. Once the LED head is in position 3, you can proceed with removing or installing the accessory holder.
3. To remove the accessory holder, lightly pull on the accessory holder tab and pull down on the accessory holder assembly. It should come off with minimal force.
4. With the accessory holder removed, you can now add or remove filter media as needed.
5. The supplied clear lens must always be used with the accessory holder.
6. The order of installation should follow: Accessory Holder < Hex Louver < Clear Lens < Filter Media < Optic.

Note: If you need to use the Hex Louver, you must replace the entire accessory holder with a new one that comes with the Hex Louver.

Spare Filter Media & Optics

ACCESSORIES

- Accessories must be specified separately.
- Please note that (1) filter media per head is allowed in the luminaire.
- The supplied clear lens must always be used with the accessory holder.

Filter Media & Accessories

Must order (1) per head

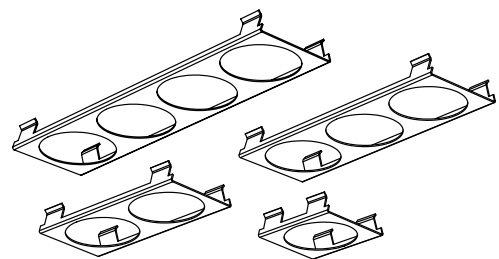
PLF2-48	(Linear Spread, Note: Glossy Side Towards LED)
PFL4-48	(Soft focus Lens)
PFL6-48	(Spread Lens, Note: Smooth Side Towards LED)
PLFMB-48*	(Hex Cell Louver With Accessory Holder)

PLFMB-48 (hex cell louver) includes a separate accessory holder and can accommodate (1) filter media along with the installed hex cell louver. Please note that the provided clear lens must always be used together with the accessory holder.

Additional Optics

Must order (1) per head

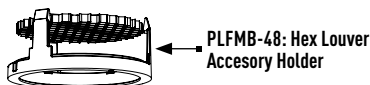
IP-OP48-SP	(18° Spot)
IP-OP48-NF	(24° Narrow Flood)
IP-OP48-FL	(36° Flood)
IP-OP48-WF	(48° Wide Flood)
IP-OP48-VF	(60° Very Wide Flood)



OPTIONAL TRIM COVER PLATE

Trim cover provide a clean seamless look which are color matched to the housings finish. Trim assembly easily integrated into the existing housings. (Must specify separately)

GXT1W	1-Head, White	GXT1B	1-Head, Black
GXT2W	2-Head, White	GXT2B	2-Head, Black
GXT3W	3-Head, White	GXT3B	3-Head, Black
GXT4W	4-Head, White	GXT4B	4-Head, Black



INSTRUCTIONS LJM-0402024 P-10

INTENSE LIGHTING | 3340 E La Palma Ave, Anaheim, CA 92806 | tel 714 630-9877 | fax 714 630-9883

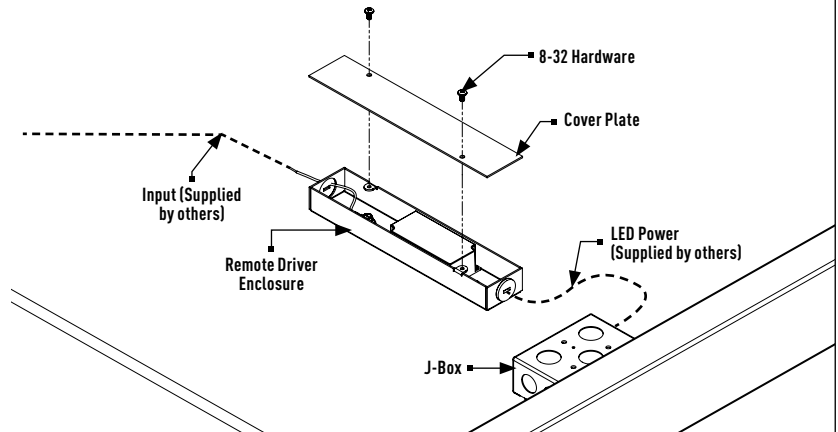
For Intense Lighting's limited product warranty, go to www.intenselightning.com. For a printed copy of the warranty, you may call 800 961-5321.

© 2024 Intense Lighting, LLC. All rights reserved. Note: This document is subject to change without notice.

Remote Driver Housing Installation

REMOTE BOX INSTALLATION

1. Turn off the electrical power by locating and switching off the breaker.
2. Remove the cover plate from the remote driver box.
3. Attach the remote driver box at two 1/4" holes on 6-inch centers, using the installation hardware supplied by others.
4. Remove any required knockouts and run conduit to the junction box to which the fixture is attached (ensure it does not exceed a 50-foot length from the fixture).
5. Run connecting wires for the LED driver, following local and national electrical regulations. Use a minimum of 18 AWG wire, and ensure it does not exceed a 50-foot length.
6. Make the necessary electrical connections.
7. Reinstall the cover plate using the supplied 8-32 hardware. Ensure that wires are clear of box edges and not pinched or damaged when the cover is screwed down.

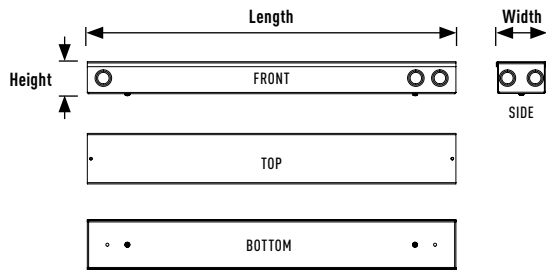


REMOTE DRIVER DIMENSIONS

Size	Length	Width	Height
XS	7-3/4"	3-7/16"	1-3/4"
SM	14"	3 3/16"	2"
MD	23"	3 3/16"	2"
LG	29 13/16"	3 3/16"	2"

REMOTE DRIVER SIZE CHART

	DIM	D101	ED10V1	ED10V01	LUT	DMX
1-Head	SM	SM	XS	XS	SM	XS
2-Head	SM	SM	LG	LG	MD	LG
3-Head	SM	SM	LG	LG	MD	LG
4-Head	MD	MD	LG	LG	LG	LG



Installation Instructions

For Use with GX Adapt - Surface Mounted/Remote Driver or Remote Driver Option

IS-P10018R1

6 of 6

Wiring Diagram

ELECTRICAL CONNECTIONS:

Step 1: Turn Off Power

1. Locate and switch off the breaker to cut off electrical power.

Step 2: Prepare Wiring

1. Ensure you have enough wire length from the junction box.
2. Use only UL-listed connectors or wire nuts (by others).

Step 3: Connect the Wires

1. To connect the remote driver to the fixture, only connect matching sets of wires. For example, connect "SET 1" to "SET 1" and so forth.

(Note: Mixing set pairs will result in damage to the fixture. Each wire set corresponds to each LED module on the fixture, meaning one set of wires per LED module.)

