

⚠ WARNING

Risk of electrical shock. Disconnect power before servicing or installing luminaire.

⚠ WARNING

Risk of injury or damage. Luminaire will fail if not installed properly. Follow installation instructions.

⚠ WARNING

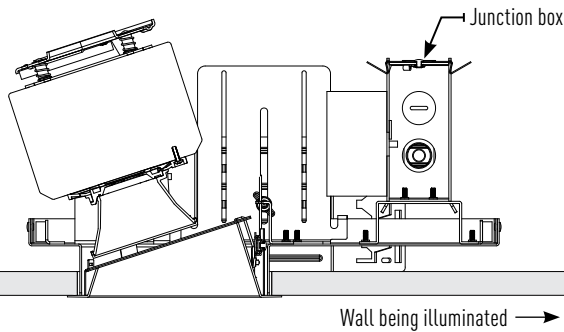
Risk of injury. Wear safety glasses and gloves during installation and servicing. Allow ample time to cool before handling.

IMPORTANT SAFETY INSTRUCTIONS

- Read all installation instructions before installing. It is important to save these instructions.
- **Only install and connect LED module with power disconnected at the circuit breaker. Hot plugging, or connecting the module with power on, could damage the LEDs and is not covered by warranty.**
- Observe and follow all label information and instructions regarding dry, damp and wet location listings, proper Intense LED module, warnings of installation near combustible materials and/or insulation.
- Turn off power at circuit breaker before attempting to install or perform maintenance on the fixtures.
- Be sure to connect ground wire to prevent electric shock or other potential hazards.
- The product must be installed in a manner consistent with the intended use and in compliance with the national electrical codes and local codes by a person familiar with the construction and operation of the product and the hazards involved.
- Do not block the trim aperture as this may cause unsafe operating conditions.
- **WARNING: RISK OF FIRE.** Non-IC fixture requires that insulation must be kept at least 3" away from all sides of the fixture. Minimum of 90°C supply conductors. Consult a qualified electrician before installation.

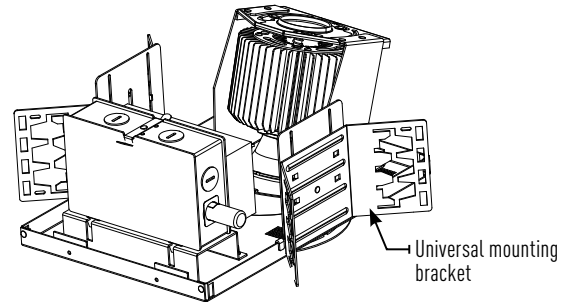
WARNING: Use only Intense Lighting trims listed for use with this fixture. Use of trims other than those listed by Intense Lighting is a violation of N.E.C 110-3(B) and voids all warranties.

IMPORTANT: Junction box must be closest to the wall being illuminated.



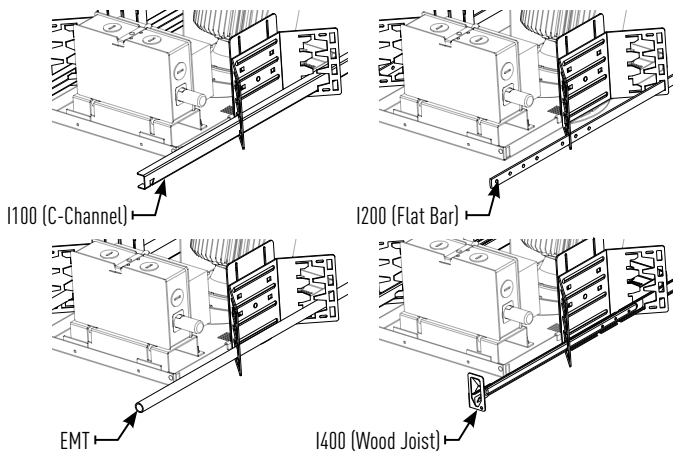
HOUSING INSTALLATION:

1. Mount fixture housing according to ceiling type.
 - Universal mounting bracket has slot openings for C-channel, flat bar, and 1/2" EMT; secure to joist or grid using fasteners or wire. C-channel hangers are recommended for T-Bar ceilings, install with notches facing down to engage T-Bar grid.
2. Junction box should be aimed towards the wall that is to be illuminated.

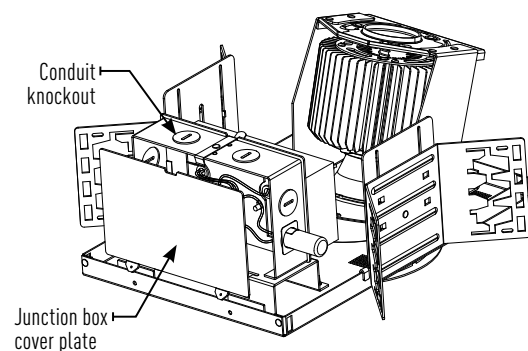


MOUNTING:

Bar hanger mounting brackets offer several height choices depending on installation requirements. C-Channel, EMT and other joist bars can be ordered for various ceiling types.

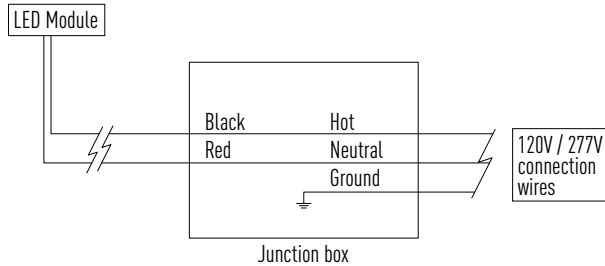


WIRING



ELECTRICAL CONNECTIONS:

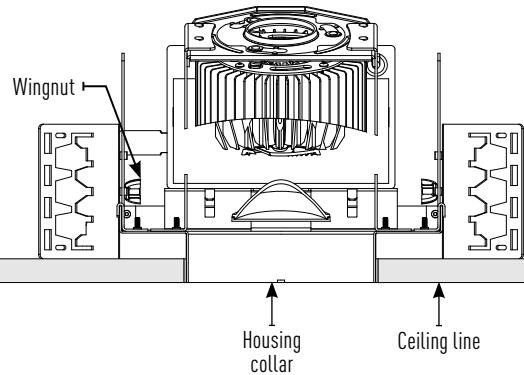
1. Make electrical connections through desired knockout for conduit, MC and Romex® cable. Use only UL listed connectors (supplied by others).
2. Connect ground from fixture to green (GROUND) supply wire, white wire from fixture to white (NEUTRAL) supply wire and black wire from fixture to black (HOT) supply wire. Use UL listed connectors or wire nuts to make the connections (supplied by others). Connect dimming wires if applicable, see page 4.
3. Close and lock junction box door ensuring all wire connections and wires are contained within.



4

HOUSING HEIGHT ADJUSTMENT:

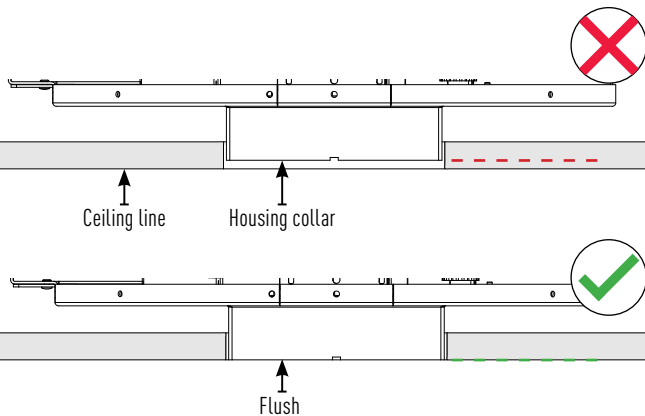
Loosen wingnut to make adjustments so that housing collar is flush with ceiling line.



5

CEILING THICKNESS:

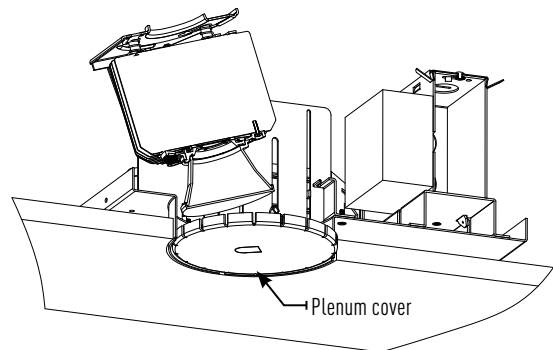
Luminaire accommodates up to 1 1/4" ceiling thickness. Adjust housing so that housing collar is flush with the ceiling line.



6

PAINT COVER:

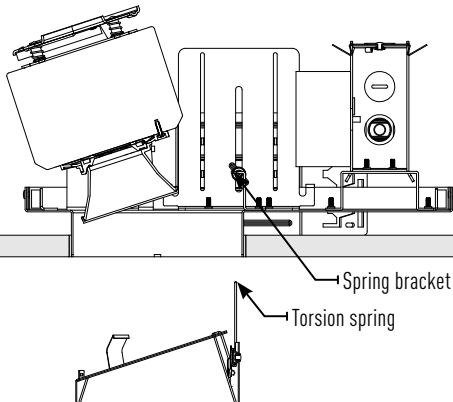
Install paint cover to prevent damage to the fixture during painting.



7

TRIM INSTALLATION:

1. Squeeze the torsion spring on the trim and insert into the spring bracket inside the housing.
2. Push trim into housing ensuring the trim is flush to the ceiling.
3. Once all fixtures have been installed, power at the breaker can be restored.

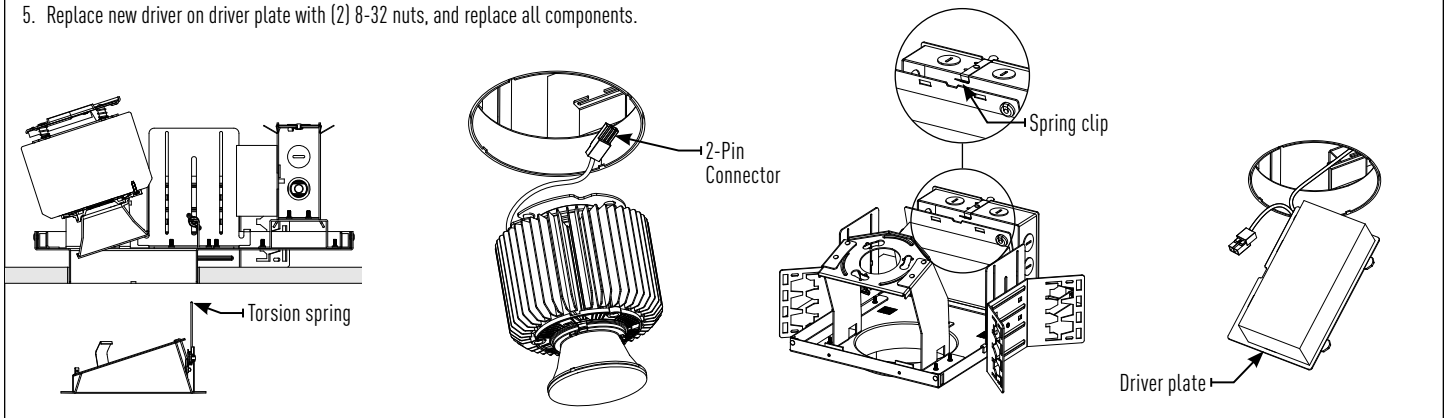


8



SERVICING:

1. Remove the trim from the housing by pulling down the trim enough to expose the torsion spring. Squeeze the torsion spring to allow the trim to be released from the spring bracket.
2. To remove module, push up slightly then twist counter-clockwise to disengage from mounting frame.
3. Disconnect the quick connect from the module and rotate adjustment mechanism for clear path to junction box.
4. Unsnap driver plate from junction box and disconnect quick connect from driver.
5. Replace new driver on driver plate with (2) 8-32 nuts, and replace all components.



Installation Instructions

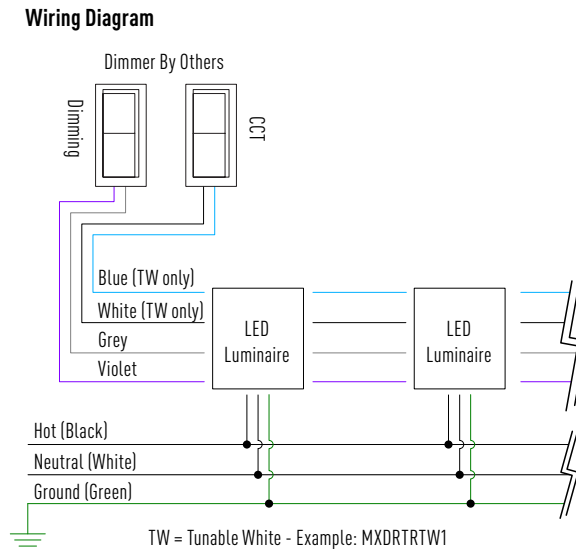
0-10V Dimming and Tuning Control Functions

Tunable White only

For 0-10V Continuous CCT Control. Connect a 0-10V control device to the blue (+) and white (ground) wires. When the fixture is powered up, the 0-10V control will adjust the CCT over the tunable range.

Tunable White & Dynamic Dimming

A 0-10V control may also be added for dimming (as shown). Adjustments to Dimming levels are a percentage of the 0-10V Dim setting (Trim). If a 0-10V control is not used for dimming, the gray (ground) and violet (+) wires must be grounded together.



Compatible Control Systems

Brand	Model
Leviton	IP710-DLX
Leviton	IP710-LFZ
Leviton	Sapphire
Leviton	Omnitouch
Lutron	Diva, DDTV
Lutron	Nova-T, NTFTV
Lutron	Diva, NFTV
Lutron	Grafik Eye - GRX-TVI with GRX3503
Lutron	Energi Savr Node - QSN-4T16-S
Lutron	TVM2 Module
Lightolier	V2000FAMU
Lightolier	ZP600FAM120
Lightolier	MP1500FAM120
Watt Stopper	DCLV1

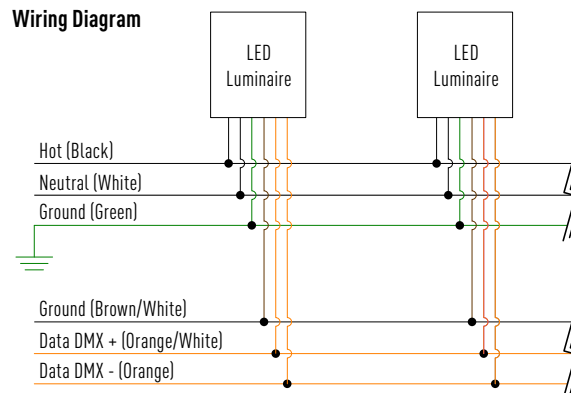
DMX RDM Dimming and Tuning Control Functions

Standard default is Ch 1 dimming and Ch 2 CCT Control for Tunable White.

Standard default is Ch 1 for Dynamic Warm Dimming

DMX Control Options

1. Warm dim mode: In this mode, the luminaire warms as it dims. It uses only one DMX-channel.
2. CCT tuning mode: In this mode, luminaire's CCT tunes along the black body curve. It uses two DMX-channels, one for Brightness control and one for CCT tuning



Compatible Control Systems

Brand	Model
Acuity	Fresco
DMXister	DMXister test suite
NXP	NXP RDM SDK
Pathway Connect	Pathport
Open Lighting Project	RDM test suite

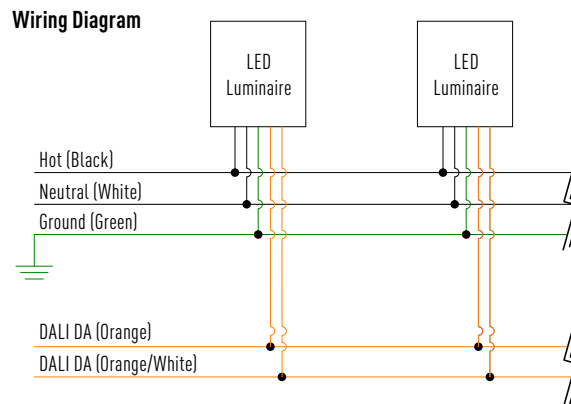
DALI Dimming and Tuning Control Functions

DALI Control Functions

The luminaire can be operating in two different modes:

- Dynamic warm dimming mode, DALI device type 6 (DT6) compatible (Control gear 102)
- CCT tuning mode, DALI device type 8 (DT8) compatible (Control gear: 209 Color control)

By default the unit will start up in warm dimming mode with base address 0, but when it receives a DT8 command (dim warm/cool) it will switch to the CCT tuning mode. It cannot switch automatically back. Only a special DALI command (SetTcPHY_cooltest=0) or resetting the ARD function will set it back to the warm dimming mode. This should not be done dynamically as there are only a limited amount of resets possible (10,000).



Compatible Control Systems

Brand	Model
Leviton	DALI Controller CD250-C
Hadler	DALI uP
Lunatone	DALI Switch 86459793