

**⚠ WARNING**

Risk of electrical shock. Disconnect power before servicing or installing luminaire.

**⚠ WARNING**

Risk of injury or damage. Luminaire will fail if not installed properly. Follow installation instructions.

**⚠ WARNING**

Risk of injury. Wear safety glasses and gloves during installation and servicing. Allow ample time to cool before handling.

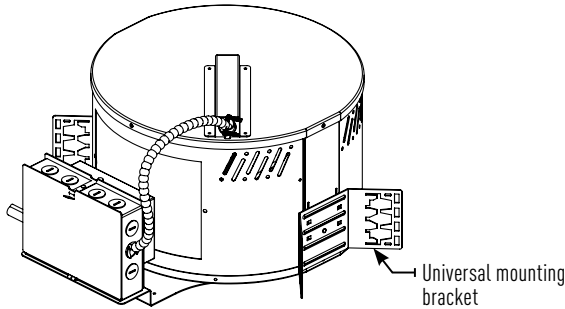
**IMPORTANT SAFETY INSTRUCTIONS**

- Read all installation instructions before installing. It is important to save these instructions.
- Only install and connect LED module with power disconnected at the circuit breaker. Hot plugging, or connecting the module with power on, could damage the LEDs and is not covered by warranty.
- Connectors on modules and approved housings are keyed for specific voltage combinations; do not force or attempt to bypass connectors.
- Observe and follow all label information and instructions regarding dry, damp and wet location listings, proper Intense LED module, warnings of installation near combustible materials and/or insulation.
- Turn off power at circuit breaker before attempting to install or perform maintenance on the fixtures.
- Be sure to connect ground wire to prevent electric shock or other potential hazards.
- The product must be installed in a manner consistent with the intended use and in compliance with the national electrical codes and local codes by a person familiar with the construction and operation of the product and the hazards involved.
- Do not block the trim aperture as this may cause unsafe operating conditions.
- **WARNING: RISK OF FIRE.** Non-IC fixture requires that insulation must be kept at least 3" away from all sides of the fixture. Minimum of 90°C supply conductors. Consult a qualified electrician before installation.

**WARNING:** Use only Intense Lighting trims listed for use with this fixture. Use of trims other than those listed by Intense Lighting is a violation of N.E.C 110-3(B) and voids all warranties.

**HOUSING INSTALLATION:**

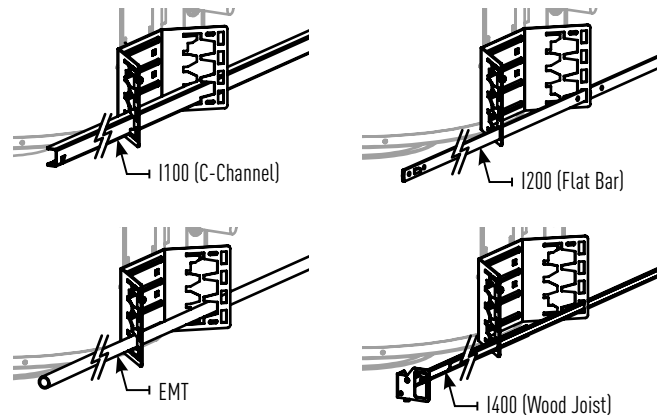
1. Cut out ceiling hole according to size:
  - IHOL-6AR/GD6AR: 6 1/2" diameter & IHOL-6AS/GD6AS: 6 1/2" x 6 1/2"
  - IHOL-8AR/GD8AR: 8 1/2" diameter & IHOL-8AS/GD8AS: 8 1/2" x 8 1/2"
2. Mount fixture housing according to ceiling type.
  - Universal mounting bracket has slot openings for C-channel, flat bar, and 1/2" EMT; secure to joist or grid using fasteners or wire. C-channel hangers are recommended for T-Bar ceilings, install with notches facing down to engage T-Bar grid.



1

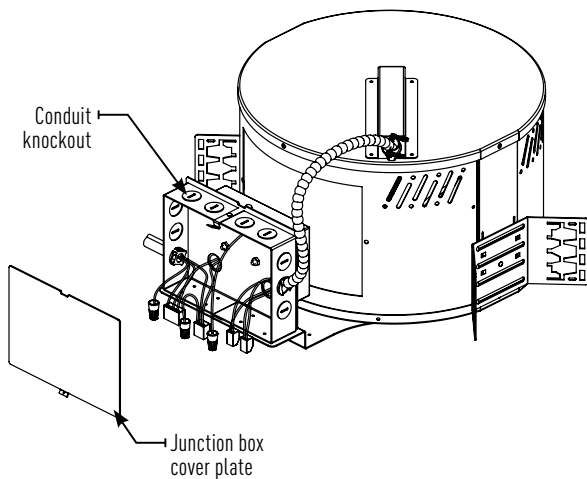
**MOUNTING:**

Bar hanger mounting brackets offer several height choices depending on installation requirements. C-Channel, EMT and other joist bars can be ordered for various ceiling types.



2

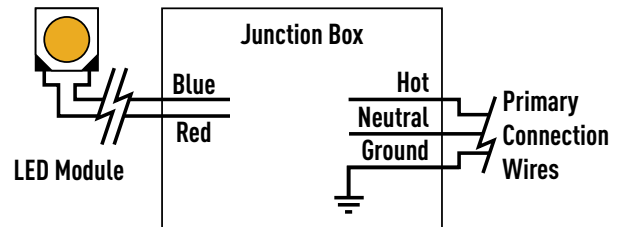
**WIRING**



3

**ELECTRICAL CONNECTIONS:**

1. Make electrical connections through desired knockout for conduit, MC and Romex® cable. Use only UL listed connectors (supplied by others).
2. Connect ground from fixture to green (GROUND) supply wire, white wire from fixture to white (NEUTRAL) supply wire and black wire from fixture to black (HOT) supply wire. Use UL listed connectors or wire nuts to make the connections (supplied by others). Connect dimming wires if applicable, see page 5.
3. Close and lock junction box door ensuring all wire connections and wires are contained within.

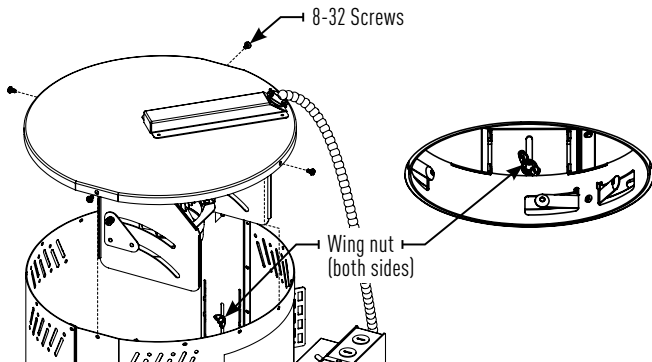


4

## HOUSING HEIGHT ADJUSTMENT:

1. Remove (4) 8-32 screws from the lid to expose the inside of the housing.
2. Loosen wingnuts to make adjustments so that housing collar is flush with ceiling.
3. Replace lid and screws

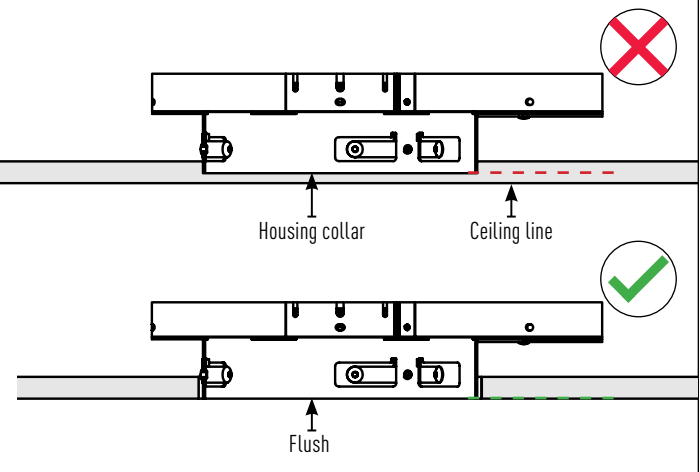
**Note:** May be accessed from below the ceiling.



5

## CEILING THICKNESS:

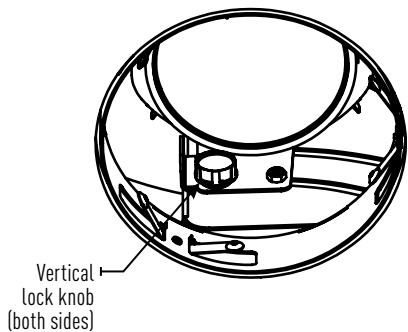
Luminaire accommodates up to 1 5/16" ceiling thickness. Adjust housing so that housing collar is flush with the ceiling line.



6

## VERTICAL ADJUSTMENT:

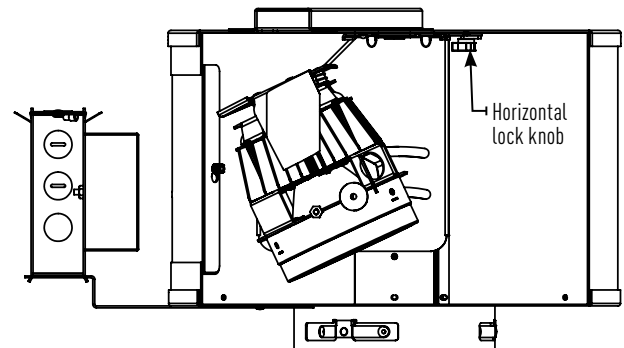
1. Loosen lock knob on both sides to allow fixture to adjust vertically.
2. Rotate module to desired vertical position.
3. Tighten lock knob to lock vertical position.



7

## HORIZONTAL ADJUSTMENT:

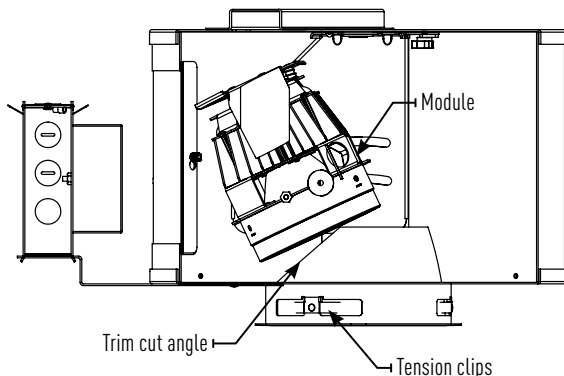
1. Loosen lock knob to allow fixture to adjust horizontally.
2. Rotate module to desired horizontal position.
3. Tighten knob to lock horizontal position.



8

## TRIM INSTALLATION (APPLIES TO ROUND HOUSING ONLY):

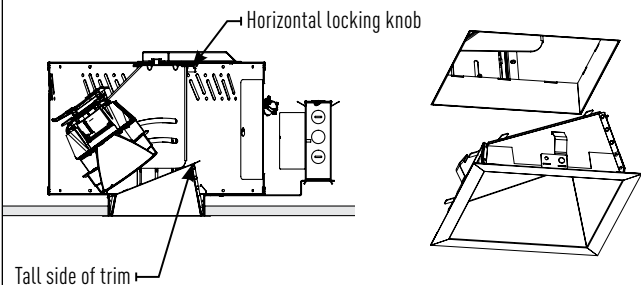
1. Position trim so that the cut angle is angled towards module.
2. Push trim into housing collar, tension clips will hold reflector in place.
3. Make sure trim is flush with ceiling.



9

## TRIM INSTALLATION (APPLIES TO SQUARE HOUSING ONLY):

1. Position trim so that the cut angle is angled towards module. Tall portion of trim should be facing horizontal locking knob.
2. Trim will not line up at any other angle than 90° increments.
3. Push trim fully against housing collar to ensure the trim is flush to the ceiling.

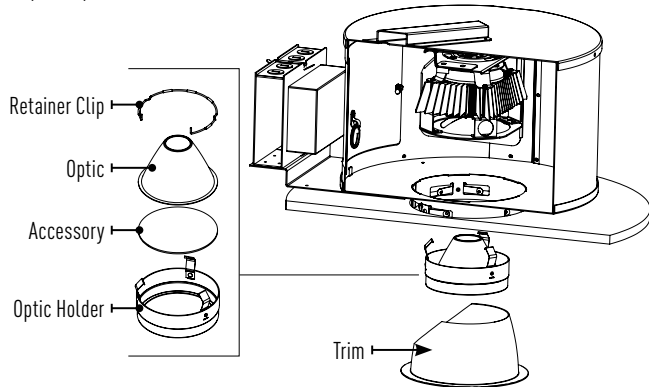


10



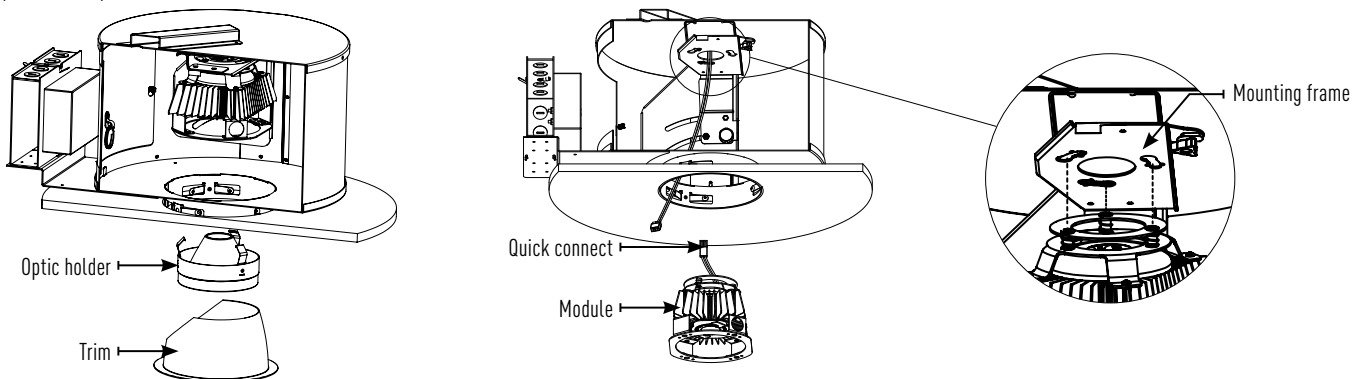
### INSTALLING ACCESSORY:

1. Remove trim and adjust module's vertical angle to 0°.
2. Remove optic holder.
3. Remove retainer clip and optic from the optic holder.
4. Install accessory into optic holder and replace optic and retaining clip.
5. Replace optic holder and trim.



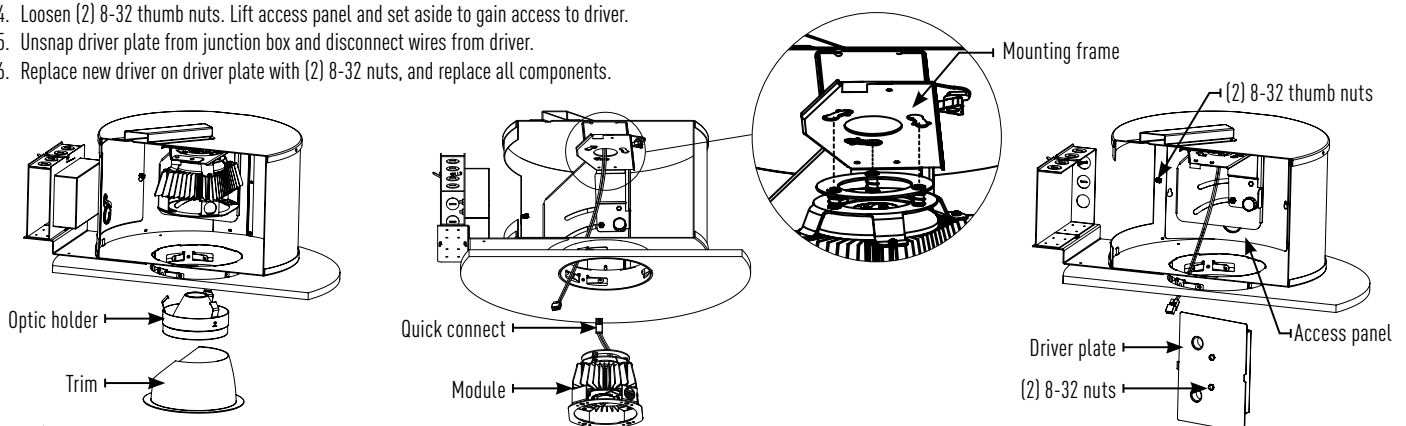
### MODULE REPLACEMENT:

1. Remove trim and adjust module's vertical angle to 0°.
2. Remove optic holder and twist module counter-clockwise to disengage from mounting frame.
3. Disconnect the quick connect from the module and reconnect the quick connect from the new module.
4. Push new module into mounting frame and rotate clockwise to lock in place.
5. Replace all components.



### DRIVER REPLACEMENT:

1. Remove trim and adjust module's vertical angle to 0°.
2. Remove optic holder and twist module counter-clockwise to disengage from mounting frame.
3. Disconnect the quick connect from the module.
4. Loosen (2) 8-32 thumb nuts. Lift access panel and set aside to gain access to driver.
5. Unsnap driver plate from junction box and disconnect wires from driver.
6. Replace new driver on driver plate with (2) 8-32 nuts, and replace all components.



INSTRUCTIONS LJM-01062022 P-3

INTENSE LIGHTING | 3340 E La Palma Ave, Anaheim, CA 92806 | tel 714 630-9877 | fax 714 630-9883

For Intense Lighting's limited product warranty, go to [www.intenselighting.com](http://www.intenselighting.com). For a printed copy of the warranty, you may call 800 961-5321.

© 2022 Intense Lighting, LLC. All rights reserved. Note: This document is subject to change without notice.

# WIRING & DIMMING COMPATIBILITY

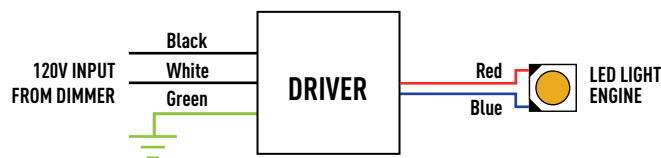
For use with all Intense Lighting product with supported dimming options.  
Please check configuration of product for correct dimming protocol.

## Phase Dimming or Lutron® LTEA2W Hi-Lume 2-Wire

- 120V Only
- Forward 1% / Reverse 5%

### COMPATIBLE DIMMERS

Product	Part Number(s)	Type
Leviton	IPE04	Reverse
Leviton	IPI06-1LZ	Forward
Leviton	6633-P	Forward
Lutron	DVELV300P	Reverse
Lutron	DVCL-153P	Forward
Lutron	S600P	Forward
Cooper	DLC03P	Forward
Cooper	DAL06P	Forward

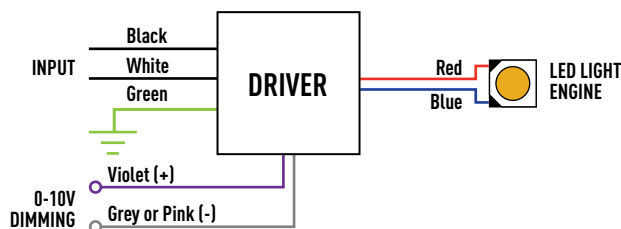


## 0-10V Dimming

- 120V or 277V
- Dims down to 1% or 0.1% light output
- Consult dimming manufacturer for installation instructions and power packs

### COMPATIBLE DIMMERS

Manufacturer	Part Number(s)
HUNT	PS-010-IV-120V, PS-010-WH-120V, PS-010-3W-IV-120, PS-010-3W-WH-120V, PS-010-IV-277V, PS-010-WH-277V, PS-010-3W-IV-277V, PS-010-3W-WH-277V, FD-010: PS-IFC-010-IV, PS-IFC-010-WH-120/277V, FD-010: PS-IFC-010-3W-IV, PS-IFC-010-3W-WH-120/277V, FD-010-120V, FD-010-277V
Leviton	Leviton Centura Fluorescent Control System, IlLumaTech™ IP7 Series, DPSPE-212
Lightotier	ZP600FAM120, MP1500FAM120, V2000FAMU
Lithonia	LEQ BC, LEQ LVBC, SLD LVBC, SQ1DC
Lutron	DVTV, NTFTV
Synergy	ISD BC 120/277

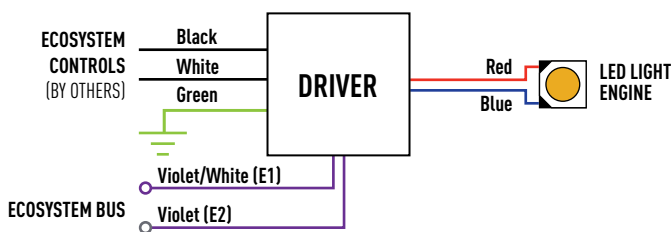


## Lutron® LDE1 Hi-Lume EcoSystem

- 120V or 277V
- Dims down to 1%
- Consult dimming manufacturer for installation instructions

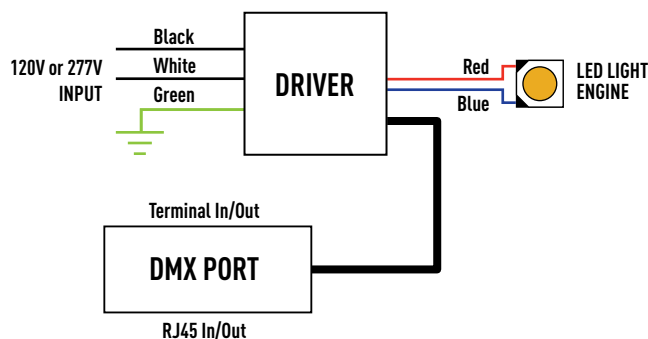
### COMPATIBLE DIMMERS

Product	Part Number(s)
EcoSystem	CS-1L-WM, CS-2L-WM, CS-1L-CM, CS-2L-CM, EcoSystem ESN, Grafik Eye QS with EcoSystem, Quantum



## DMX512 RDM (Downlights with RJ45)

- 120V or 277V
- Dims Down to 0.1% Light Output
- RDM Channel Programmable

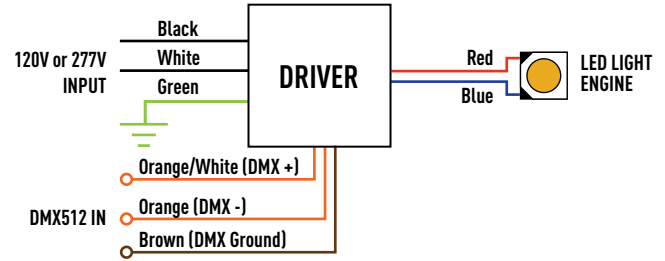


# WIRING & DIMMING COMPATIBILITY

For use with all Intense Lighting product with supported dimming options.  
Please check configuration of product for correct dimming protocol.

## DMX512 RDM (Cylinders without RJ45)

- 120V or 277V
- Dims Down to 0.1% Light Output
- RDM Channel Programmable

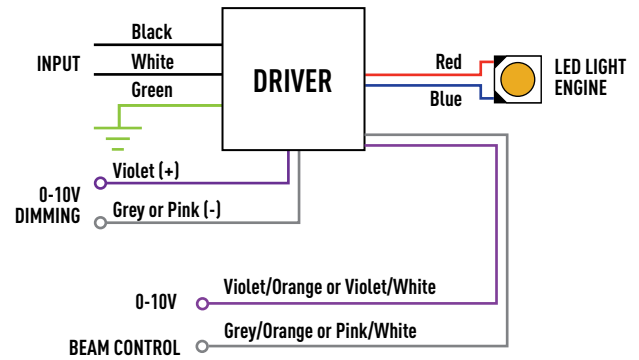


## 0-10V With Dynamic Beam

- 120V or 277V
- Dims down to 1% or 0.1% light output
- Consult dimming manufacturer for installation instructions and power packs

### COMPATIBLE DIMMERS

Manufacturer	Part Number(s)
HUNT	PS-010-IV-120V, PS-010-WH-120V, PS-010-3W-IV-120, PS-010-3W-WH-120V, PS-010-IV-277V, PS-010-WH-277V, PS-010-3W-IV-277V, PS-010-3W-WH-277V, FD-010: PS-IFC-010-IV, PS-IFC-010-WH-120/277V, FD-010: PS-IFC-010-3W-IV, PS-IFC-010-3W-WH-120/277V, FD-010-120V, FD-010-277V
Leviton	Leviton Centura Fluorescent Control System, IllumaTech™ IP7 Series, DPSPE-212
Lightolier	ZP600FAM120, MP1500FAM120, V2000FAMU
Lithonia	LEQ BC, LEQ LVBC, SLD LVBC, SQ1DC
Lutron	DVTV, NTFTV
Synergy	ISD BC 120/277

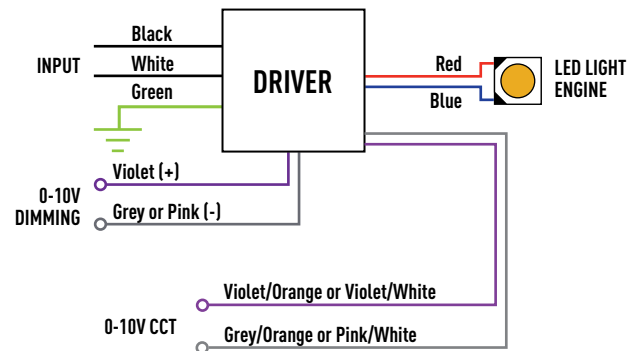


## 0-10V With Tunable White

- 120V or 277V
- Dims down to 1% or 0.1% light output
- Consult dimming manufacturer for installation instructions and power packs

### COMPATIBLE DIMMERS

Manufacturer	Part Number(s)
HUNT	PS-010-IV-120V, PS-010-WH-120V, PS-010-3W-IV-120, PS-010-3W-WH-120V, PS-010-IV-277V, PS-010-WH-277V, PS-010-3W-IV-277V, PS-010-3W-WH-277V, FD-010: PS-IFC-010-IV, PS-IFC-010-WH-120/277V, FD-010: PS-IFC-010-3W-IV, PS-IFC-010-3W-WH-120/277V, FD-010-120V, FD-010-277V
Leviton	Leviton Centura Fluorescent Control System, IllumaTech™ IP7 Series, DPSPE-212
Lightolier	ZP600FAM120, MP1500FAM120, V2000FAMU
Lithonia	LEQ BC, LEQ LVBC, SLD LVBC, SQ1DC
Lutron	DVTV, NTFTV
Synergy	ISD BC 120/277



## DALI With Tunable White

- 120V or 277V
- Dims down to 0.1%

