

# Installation Instructions

Fundamentals™ Recessed LED - 2' x 2' & 2' x 4'

IS-R1060R4

1 of 1

## ⚠ WARNING

Risk of electrical shock. Disconnect power before servicing or installing luminaire.

## ⚠ WARNING

Risk of injury or damage. Luminaire will fail if not installed properly. Follow installation instructions.

## ⚠ WARNING

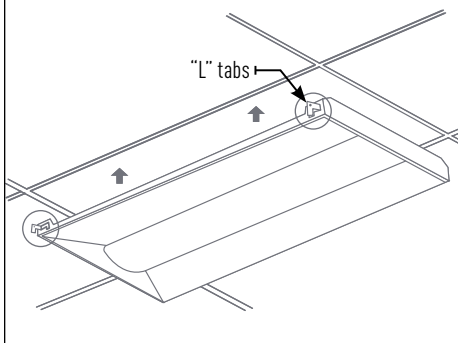
Risk of injury. Wear safety glasses and gloves during installation and servicing. Allow ample time to cool before handling.

## IMPORTANT SAFETY INSTRUCTIONS

- Read all installation instructions before installing. It is important to save these instructions.
- **Only install and connect LED module with power disconnected at the circuit breaker. Hot plugging, or connecting the module with power on, could damage the LEDs and is not covered by warranty.**
- Connectors on modules and approved housings are keyed for specific voltage combinations; do not force or attempt to bypass connectors.
- Observe and follow all label information and instructions regarding dry, damp and wet location listings, proper Intense LED module, warnings of installation near combustible materials and/or insulation.
- Turn off power at circuit breaker before attempting to install or perform maintenance on the fixtures.
- Be sure to connect ground wire to prevent electric shock or other potential hazards.
- The product must be installed in a manner consistent with the intended use and in compliance with the national electrical codes and local codes by a person familiar with the construction and operation of the product and the hazards involved.
- **WARNING: RISK OF FIRE.** Non-IC fixture requires that insulation must be kept at least 3" away from all sides of the fixture. Minimum of 90°C supply conductors. Consult a qualified electrician before installation.

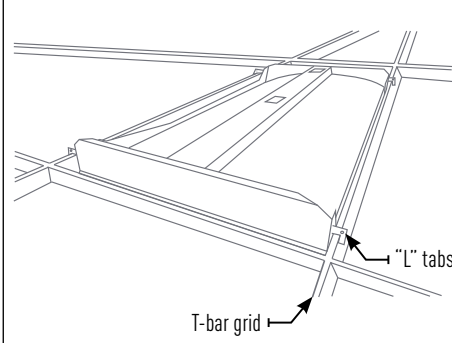
### INSTALLATION:

1. Remove existing troffer, if applicable.
2. Pull "L" tabs out on each corner.



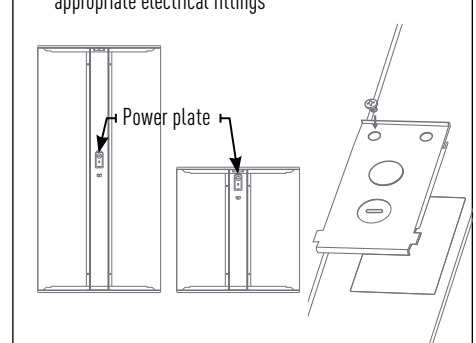
### MOUNTING:

2. Place troffer in ceiling, making sure each "L" tab is securely hooked on T-bar grid.



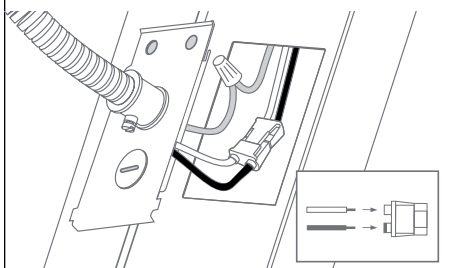
### POWER CONDUIT PLATE:

1. Remove power conduit plate.
2. Insert power supply into power conduit plate using appropriate electrical fittings



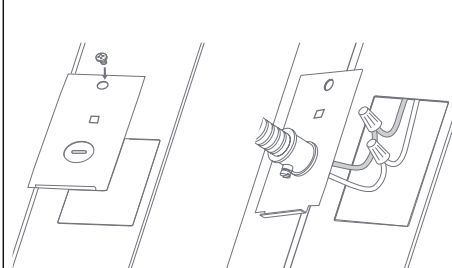
### WIRING:

4. Insert black wire (line) from the power supply into the port of the LED quick connector marked with a black circle. Insert white wire (neutral) into the unmarked port. Connect the LED quick connector to the troffer. Wire the green wires (ground) together. Replace power conduit plate after wiring.



### 0-10V DIMMING:

5. For 0-10V dimming circuits, Wire the grey and purple wires to the troffer using wire nuts.
2. Replace power conduit plate after wiring.



### FINISH:

6. Return power back to the source and installation is complete.

