

Installation Instructions

SS Retrofit Mounting System for 6" & 8" luminaires

IS-R1064R2

1 of 1

⚠ WARNING

Risk of injury. Wear safety glasses and gloves during installation and servicing. Allow ample time to cool before handling.

IMPORTANT SAFETY INSTRUCTIONS

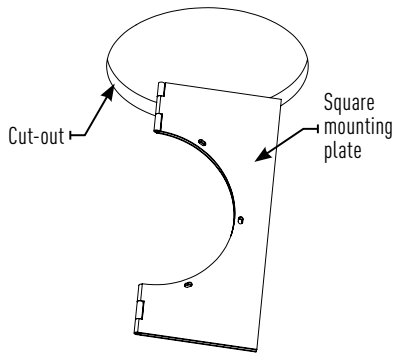
- Read all installation instructions before installing. It is important to save these instructions.
- The product must be installed in a manner consistent with the intended use and in compliance with the national electrical codes and local codes by a person familiar with the construction and operation of the product and the hazards involved.

RETROFIT INSTALLATION:

Retrofit accommodates ceiling cut outs from:

- SS-EZR6DR: 7 1/2" to 8 1/2" diameter
- SS-EZR8DR: 9 1/2" to 10 1/2" diameter

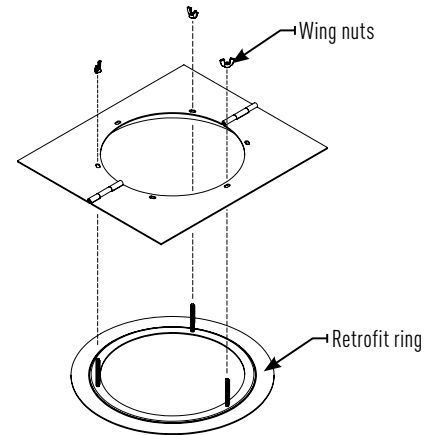
1. With square mounting plate folded in half, insert into ceiling cut out.
2. Unfold mounting plate with hinges on top of ceiling.



1

RETROFIT RING INSTALLATION:

1. Insert retrofit ring into three holes in square mounting plate.
2. Secure with three wing nuts.
3. Once secured in place, install SS remodel housing.



2