

⚠ WARNING

Risk of electrical shock. Disconnect power before servicing or installing luminaire.

⚠ WARNING

Risk of injury or damage. Luminaire will fail if not installed properly. Follow installation instructions.

⚠ WARNING

Risk of injury. Wear safety glasses and gloves during installation and servicing. Allow ample time to cool before handling.

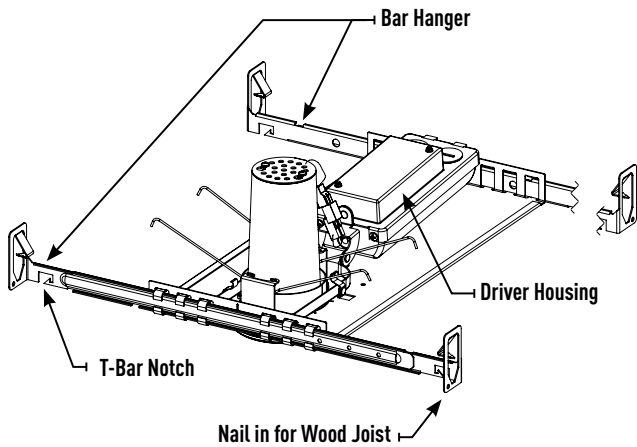
IMPORTANT SAFETY INSTRUCTIONS

- Read all installation instructions before installing. It is important to save these instructions.
- Only install and connect LED module with power disconnected at the circuit breaker. Hot plugging, or connecting the module with power on, could damage the LEDs and is not covered by warranty.
- Observe and follow all label information and instructions regarding dry, damp and wet location listings, proper Intense LED module, warnings of installation near combustible materials and/or insulation.
- Be sure to connect ground wire to prevent electric shock or other potential hazards.
- The product must be installed in a manner consistent with the intended use and in compliance with the national electrical codes and local codes by a person familiar with the construction and operation of the product and the hazards involved.
- **WARNING:** Use only Intense Lighting trims listed for use with this fixture. Use of trims other than those listed by Intense Lighting is a violation of N.E.C 110-3(B) and voids all warranties.

NEW CONSTRUCTION ONLY (1, 2, 4-8)

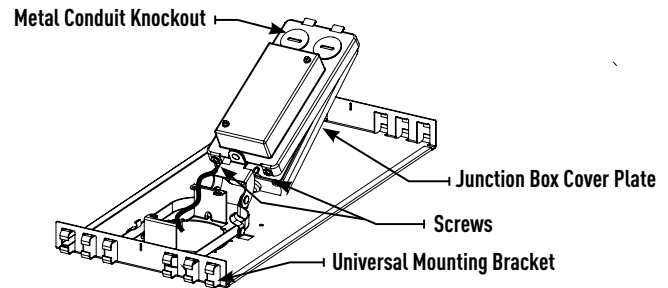
MOUNTING:

Mount fixture housing according to ceiling type.



WIRING:

1. Loosen screws to open Junction box.
2. Make electrical connections through desired knock out for conduit or romex® cable. Use only UL listed connectors (provided by others).
3. Connect the ground from fixture to green (GROUND) supply wire, white wire from fixture to white (NEUTRAL) supply wire and connect the black wire from fixture to black (HOT) supply wire. Use UL listed connectors or wire nuts to make the connections (provided by others).
4. Close and lock junction box door ensuring all wire connections and wire are contained within.
5. See page 4 for wiring diagram.

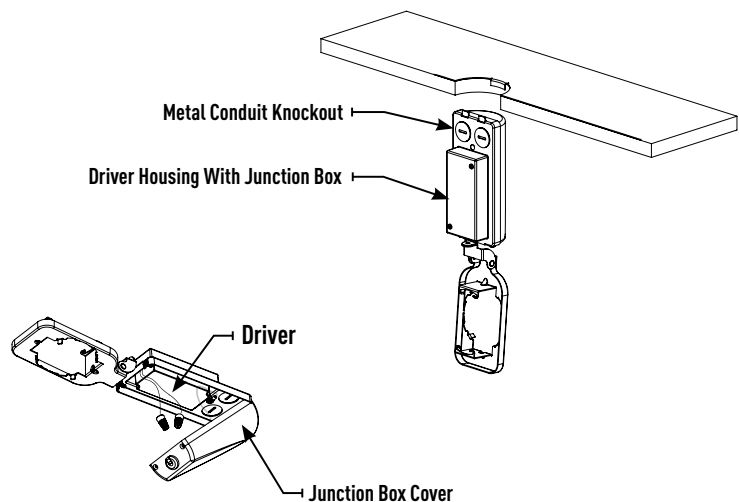


SKIP TO PANEL 4

REMODEL CONSTRUCTION (3, 5-8)

WIRING:

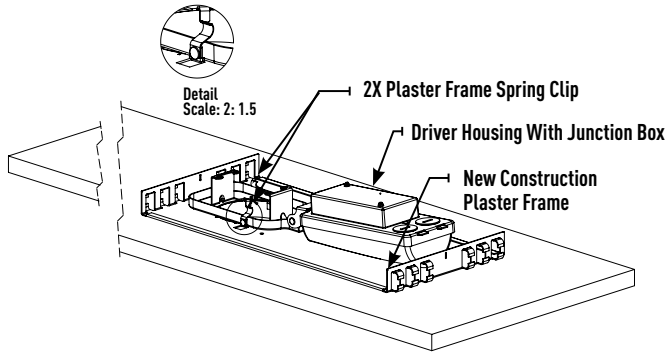
1. Loosen screws to open Junction box.
2. Make electrical connections through desired knock out for conduit or romex® cable. Use only UL listed connectors (provided by others).
3. Connect the ground from fixture to green (GROUND) supply wire, white wire from fixture to white (NEUTRAL) supply wire and connect the black wire from fixture to black (HOT) supply wire. Use UL listed connectors or wire nuts to make the connections (provided by others).
4. Close and lock junction box door ensuring all wire connections and wire are contained within.
5. See page 4 for wiring diagram.



SKIP TO PANEL 5

SECURING JUNCTION BOX:

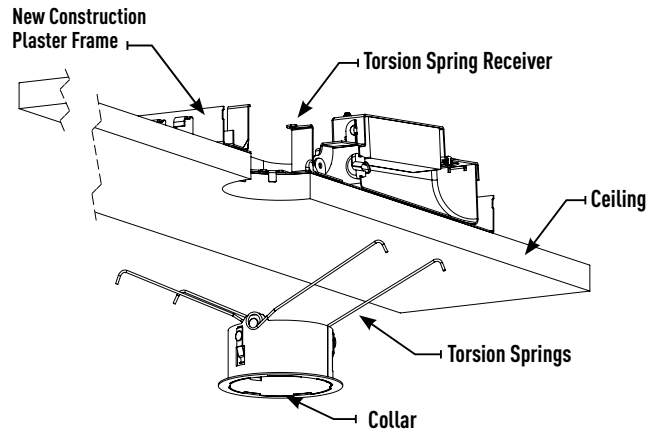
Pull junction box down until both clips snap in a place.



NEW CONSTRUCTION ONLY

COLLAR INSTALLATION:

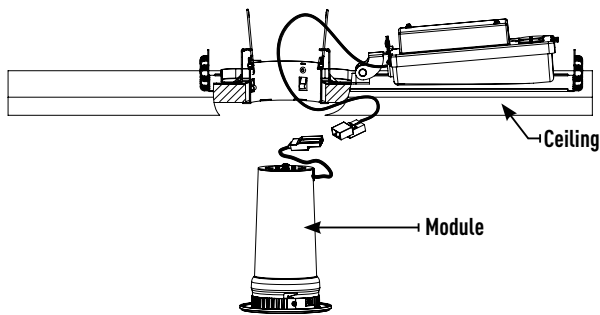
1. Squeeze spring clips together and insert into housing aperture.
2. Push collar into housing ensuring the collar is flush to the ceiling.



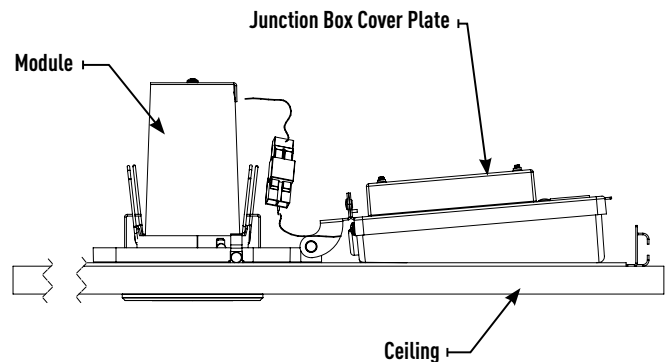
Note: New construction plaster frame not included in remodel.

MODULE INSTALLATION

1. Turn power off at breaker, hot plugging will damage LEDs.
2. Connect female quick connect from junction box to male quick connect on module.
3. Snap module into collar ensuring the module is flush to the ceiling.
4. Once all fixtures have been installed, power at the breaker can be restored.

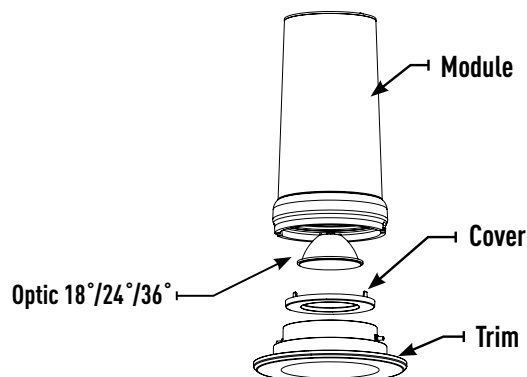


FINAL ASSEMBLY:



OPTIC REPLACEMENT

1. Turn power off at breaker
2. Remove module and disconnect quick connect.
3. Remove cover and set aside.
4. Remove optic and replace with new optic; install cover.
5. Connect quick connect and install module into housing.
6. Restore power at the breaker.



STOP MOVE TO SERVICING SECTIONS.

Servicing

8

1. Turn power off at breaker.
2. Remove module and disconnect quick
3. Connect.

Ceiling

Module

9

Remove collar from housing.

Ceiling

Collar

10

1. Push two spring clips on both sides and release plaster frame with junction box.
2. Lift and turn plaster frame with junction box 90 degrees to have clearance and remove from housing.

Detail Scale: 2: 1.5

2X Plaster Frame Spring Clip

Driver Housing With Junction Box

New Construction Plaster Frame

11

Loosen two screws on junction box and remove junction box cover and replace driver.

Metal Conduit Knockout

Driver Housing With Junction Box

Driver

Junction Box Cover