

Installation Instructions

For Use with SD 4, 6 & 8-inch Downlights

IS-R1089R1

1 of 2

⚠ WARNING

Risk of electrical shock. Disconnect power before servicing or installing luminaire.

⚠ WARNING

Risk of injury or damage. Luminaire will fail if not installed properly. Follow installation instructions.

⚠ WARNING

Risk of injury. Wear safety glasses and gloves during installation and servicing. Allow ample time to cool before handling.

IMPORTANT SAFETY INSTRUCTIONS

- Read all installation instructions before installing. It is important to save these instructions.
- **Only install and connect LED module with power disconnected at the circuit breaker. Hot plugging, or connecting the module with power on, could damage the LEDs and is not covered by warranty.**
- Observe and follow all label information and instructions regarding dry, damp and wet location listings, proper Intense LED module, warnings of installation near combustible materials and/or insulation.
- Turn off power at circuit breaker before attempting to install or perform maintenance on the fixtures.
- Be sure to connect ground wire to prevent electric shock or other potential hazards.
- The product must be installed in a manner consistent with the intended use and in compliance with the national electrical codes and local codes by a person familiar with the construction and operation of the product and the hazards involved.
- Do not block the trim aperture as this may cause unsafe operating conditions.
- **WARNING: RISK OF FIRE.** Non-IC fixture requires that insulation must be kept at least 3" away from all sides of the fixture. Minimum of 90°C supply conductors. Consult a qualified electrician before installation.

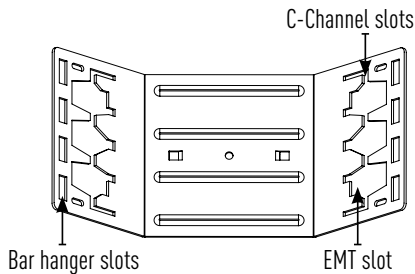
WARNING: Use only Intense Lighting trims listed for use with this fixture. Use of trims other than those listed by Intense Lighting is a violation of N.E.C 110-3(B) and voids all warranties.

Ceiling Cut Out Information:

4-Inch Round: 4-3/4" | 4-Inch Square: 5-5/8" x 5-5/8" | 6-Inch Round: 6-1/2" | 8-Inch Round: 8"

HOUSING INSTALLATION:

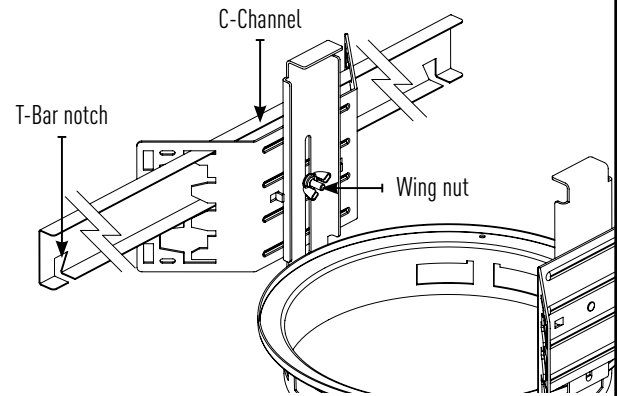
Install fixture into ceiling cavity using universal mounting bracket which has slot openings for C-Channel, flat bar, wood joist bar hanger (ordered separately) and 1/2" EMT (by others). Secure to joist or grid using fasteners or wire. C-Channel hangers are recommended for T-Bar ceilings, install with notches facing down to engage T-Bar grid.



1

MOUNTING:

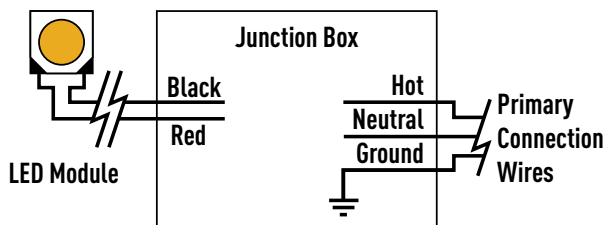
Mounting bracket includes a wing nut to adjust fixture to accommodate different ceiling thickness or ceiling construction.



2

WIRING:

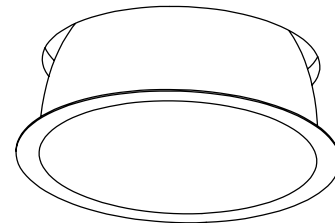
1. Remove junction box cover plate. Remove desired knockout, the junction box will accept metal conduit or non-metallic cable.
2. Connect black wire from fixture to black (**HOT**) supply wire, white wire from fixture to white (**NEUTRAL**) supply wire and connect the ground from fixture to green (**GROUND**) supply wire. Use UL listed connectors or wire nuts to make the connections (not included).
3. Make connections in junction box and replace cover plate.



3

INSTALLATION:

1. Push reflector into plaster frame ensuring the trim is flush to the ceiling.
2. Once all fixtures have been installed, power at the breaker can be restored.



MOVE TO MAINTENANCE SECTIONS.

4

Installation Instructions

For Use with SD 4, 6 & 8-inch Downlights

IS-R1089R1

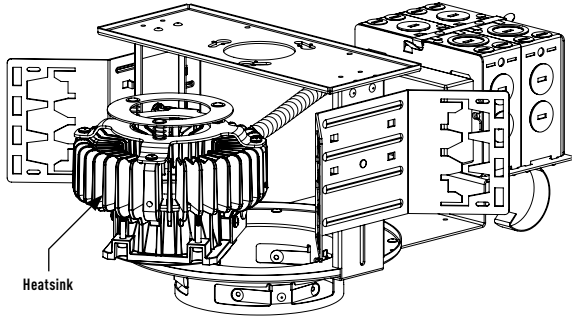
2 of 2

SD DOWNLIGHT SERVICING:

MAINTENANCE:

1. Disconnect power at the breaker before performing maintenance.
2. Remove reflector from frame-in by pulling down from both sides.
3. (L1-L7) Remove round heat sink by pushing up and twisting counter clockwise to disengage heat sink.
4. Set round heat sink and LED Module Replacement.

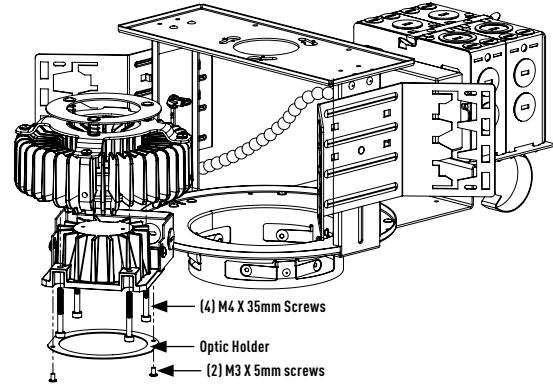
S1



MAINTENANCE:

1. (L1-L7) Remove LED Module Replacement by removing (2) M3X5mm screws with Optic Holder Plate and (4)M4X35mm screws.

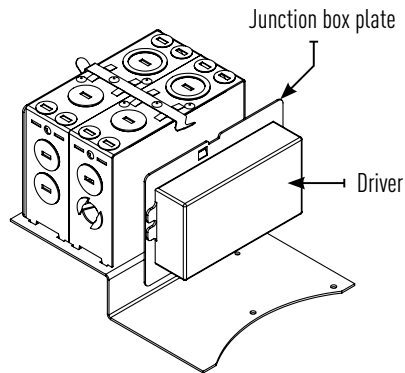
S2



MAINTENANCE:

To replace driver, Remove driver's junction box plate and disconnect wiring

S3



MAINTENANCE:

To replace LED Module Replacement:
Remove (2) M3X5mm screws with Optic Holder Plate and (4) M4X35mm screws from LED Module Replacement to disengage from heat sink. Remove (2)M4X6mm screws to disengage from junction cover. Disconnect (2) wires from the LED.

S4

