

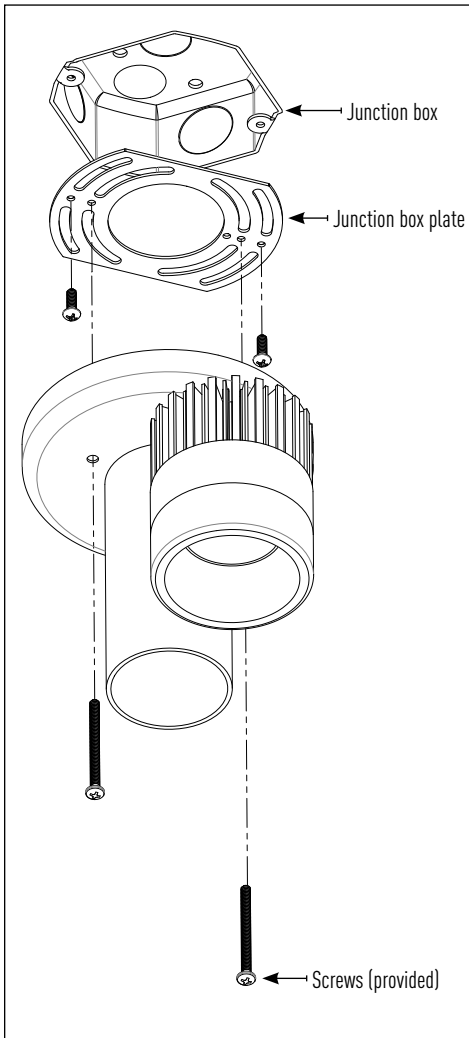
IMPORTANT SAFETY INSTRUCTIONS

- Read all installation instructions before installing. It is important to save these instructions.
- Observe and follow all label information and instructions regarding dry, damp and wet location listings, proper lamp type and wattage, warnings of installation near combustible materials and/or insulation.
- Turn off power at circuit breaker before attempting to install or perform maintenance on the fixtures.
- Wear rubber-soled shoes and work on a sturdy wooden ladder
- The product must be installed in a manner consistent with the intended use and in compliance with the national electrical codes and local codes.
- Ground fixture to avoid potential electrical shock.
- Do not install any fixture assembly closer than 6 inches from any curtain, or similar combustible material.
- **WARNING:** Lamp may be hot, allow lamp to cool before attempting to replace lamp (Do not use bar hand to replace lamp in fixture)
- Fluorescent and HID lamps contain a small amount of mercury as indicated by the **Hg** mark. Follow disposal laws. See www.lamprecycle.org. (LED fixtures do not contain mercury).
- **WARNING: RISK OF FIRE.** Minimum of 90°C supply conductors. Consult a qualified electrician before installation.

WARNING: Fixtures can only be mounted vertically and are not to be mounted horizontally.

INSTALLATION INSTRUCTIONS

1. Turn off circuit breaker before doing any of the work.
2. Connect universal junction box plate to junction box with the screws provided.
3. Connect black wire from fixture to black (**HOT**) supply wire, white wire from fixture to white (**NEUTRAL**) supply wire and connect the ground from fixture to green (**GROUND**) supply wire. Use UL listed connectors or wire nuts to make the connections (not included).
4. Place wires inside junction box and attach fixture with the screws provided to the universal plate.
5. Once all fixtures have been installed, power at the breaker can be restored.



WIRING & DIMMING COMPATIBILITY

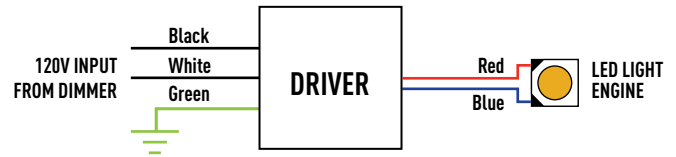
For use with all Intense Lighting product with supported dimming options.
Please check configuration of product for correct dimming protocol.

Phase Dimming or Lutron® LTEA2W Hi-Lume 2-Wire

- 120V Only
- Forward 1% / Reverse 5%

COMPATIBLE DIMMERS

Product	Part Number(s)	Type
Leviton	IPE04	Reverse
Leviton	IPI06-1LZ	Forward
Leviton	6633-P	Forward
Lutron	DVELV300P	Reverse
Lutron	DVCL-153P	Forward
Lutron	S600P	Forward
Cooper	DLC03P	Forward
Cooper	DAL06P	Forward

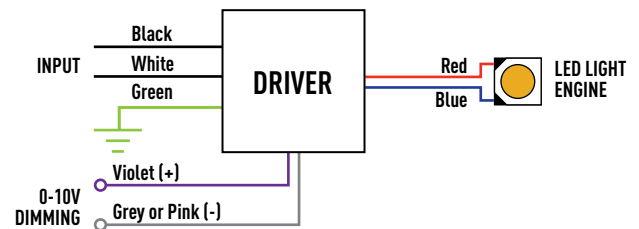


0-10V Dimming

- 120V or 277V
- Dims down to 1% or 0.1% light output
- Consult dimming manufacturer for installation instructions and power packs

COMPATIBLE DIMMERS

Manufacturer	Part Number(s)
HUNT	PS-010-IV-120V, PS-010-WH-120V, PS-010-3W-IV-120, PS-010-3W-WH-120V, PS-010-IV-277V, PS-010-WH-277V, PS-010-3W-IV-277V, PS-010-3W-WH-277V, FD-010: PS-IFC-010-IV, PS-IFC-010-WH-120/277V, FD-010: PS-IFC-010-3W-IV, PS-IFC-010-3W-WH-120/277V, FD-010-120V, FD-010-277V Leviton Centura Fluorescent Control System, IlLumaTech™ IP7 Series, DPSPE-212 ZP600FAM120, MP1500FAM120, V2000FAMU
Leviton	
Lightotier	
Lithonia	LEQ BC, LEQ LVBC, SLD LVBC, SQ1DC
Lutron	DVTV, NTFTV
Synergy	ISD BC 120/277

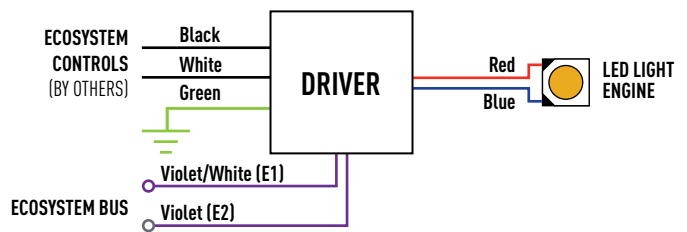


Lutron® LDE1 Hi-Lume EcoSystem

- 120V or 277V
- Dims down to 1%
- Consult dimming manufacturer for installation instructions

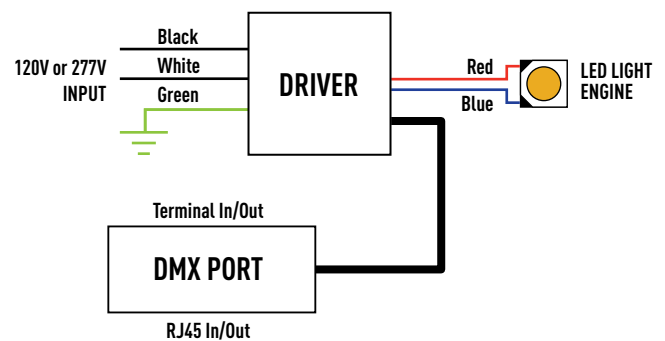
COMPATIBLE DIMMERS

Product	Part Number(s)
EcoSystem	CS-1L-WM, CS-2L-WM, CS-1L-CM, CS-2L-CM, EcoSystem ESN, Grafik Eye QS with EcoSystem, Quantum



DMX512 RDM (Downlights with RJ45)

- 120V or 277V
- Dims Down to 0.1% Light Output
- RDM Channel Programmable

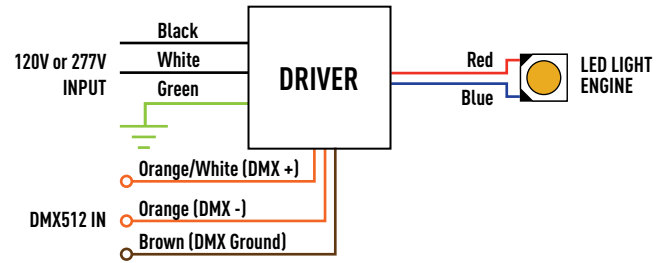


WIRING & DIMMING COMPATIBILITY

For use with all Intense Lighting product with supported dimming options.
Please check configuration of product for correct dimming protocol.

DMX512 RDM (Cylinders without RJ45)

- 120V or 277V
- Dims Down to 0.1% Light Output
- RDM Channel Programmable

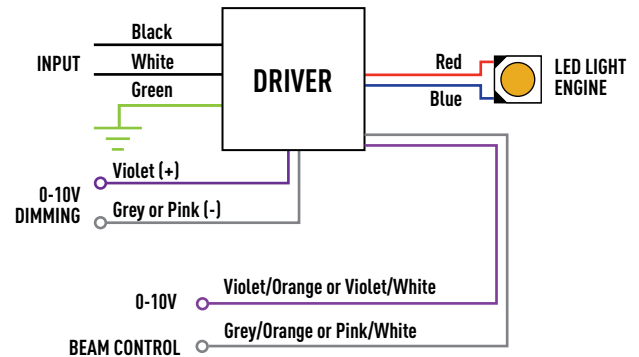


0-10V With Dynamic Beam

- 120V or 277V
- Dims down to 1% or 0.1% light output
- Consult dimming manufacturer for installation instructions and power packs

COMPATIBLE DIMMERS

Manufacturer	Part Number(s)
HUNT	PS-010-IV-120V, PS-010-WH-120V, PS-010-3W-IV-120, PS-010-3W-WH-120V, PS-010-IV-277V, PS-010-WH-277V, PS-010-3W-IV-277V, PS-010-3W-WH-277V, FD-010: PS-IFC-010-IV, PS-IFC-010-WH-120/277V, FD-010: PS-IFC-010-3W-IV, PS-IFC-010-3W-WH-120/277V, FD-010-120V, FD-010-277V
Leviton	Leviton Centura Fluorescent Control System, IllumaTech™ IP7 Series, DPSPE-212
Lightolier	ZP600FAM120, MP1500FAM120, V2000FAMU
Lithonia	LEQ BC, LEQ LVBC, SLD LVBC, SQ1DC
Lutron	DVTV, NTFTV
Synergy	ISD BC 120/277

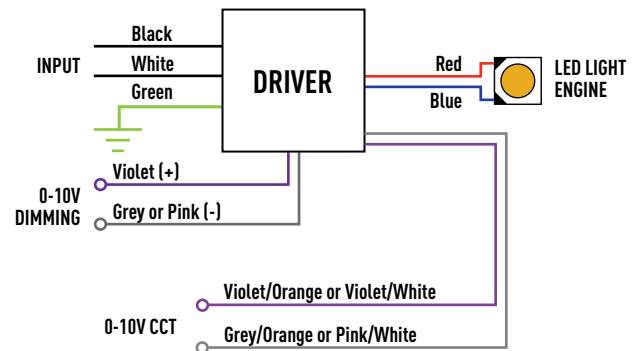


0-10V With Tunable White

- 120V or 277V
- Dims down to 1% or 0.1% light output
- Consult dimming manufacturer for installation instructions and power packs

COMPATIBLE DIMMERS

Manufacturer	Part Number(s)
HUNT	PS-010-IV-120V, PS-010-WH-120V, PS-010-3W-IV-120, PS-010-3W-WH-120V, PS-010-IV-277V, PS-010-WH-277V, PS-010-3W-IV-277V, PS-010-3W-WH-277V, FD-010: PS-IFC-010-IV, PS-IFC-010-WH-120/277V, FD-010: PS-IFC-010-3W-IV, PS-IFC-010-3W-WH-120/277V, FD-010-120V, FD-010-277V
Leviton	Leviton Centura Fluorescent Control System, IllumaTech™ IP7 Series, DPSPE-212
Lightolier	ZP600FAM120, MP1500FAM120, V2000FAMU
Lithonia	LEQ BC, LEQ LVBC, SLD LVBC, SQ1DC
Lutron	DVTV, NTFTV
Synergy	ISD BC 120/277



DALI With Tunable White

- 120V or 277V
- Dims down to 0.1%

