

Installation Instructions

For Use With IQN With SMARTTrack 48 VDC Track Systems

IS-T1015R2

1 of 1

WARNING

Risk of electrical shock. Disconnect power before servicing or installing luminaire.

WARNING

Risk of injury or damage. Luminaire will fail if not installed properly. Follow installation instructions.

WARNING

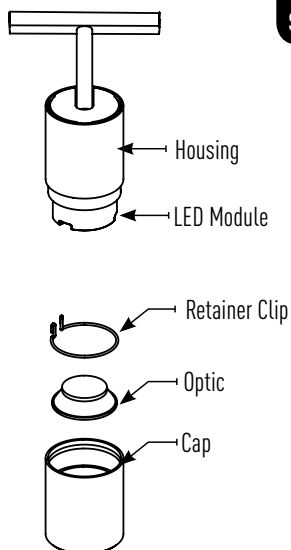
Risk of injury. Wear safety glasses and gloves during installation and servicing. Allow ample time to cool before handling.

IMPORTANT SAFETY INSTRUCTIONS

- Read all installation instructions before installing. It is important to save these instructions.
- Observe and follow all label information and instructions regarding dry, damp and wet location listings, proper lamp type and wattage, warnings of installation near combustible materials and/or insulation.
- Turn off power at circuit breaker before attempting to install or perform maintenance on the fixtures.
- Wear rubber-soled shoes and work on a sturdy wooden ladder
- The product must be installed in a manner consistent with the intended use and in compliance with the national electrical codes and local codes.
- Ground fixture to avoid potential electrical shock.
- Do not install any fixture assembly closer than 6 inches from any curtain, or similiar combustible material.
- **WARNING:** Lamp may be hot, allow lamp to cool before attempting to replace lamp (Do not use bar hand to replace lamp in fixture)
- Fluorescent and HID lamps contain a small amount of mercury as indicated by the **Hg** mark. Follow disposal laws. See www.lamprecycle.org. (LED fixtures do not contain mercury).
- **WARNING:** RISK OF FIRE. Minimum of 90°C supply conductors. Consult a qualified electrician before installation.

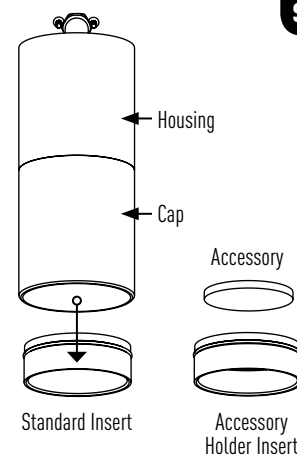
OPTIC REPLACEMENT

1. To add or remove an optic, unscrew the cap counterclockwise and separate from housing
2. Remove retainer clip by squeezing the ends together and remove the optic
3. Replace optic back into cap and install retainer clip
4. Make sure retainer clip sits into the retainer channel to keep optic secure
5. Once the optic is secured in cap, hand tighten the cap assembly clockwise to secure to IQN housing



MEDIA ACCESSORY / HOLDER INSTALLATION

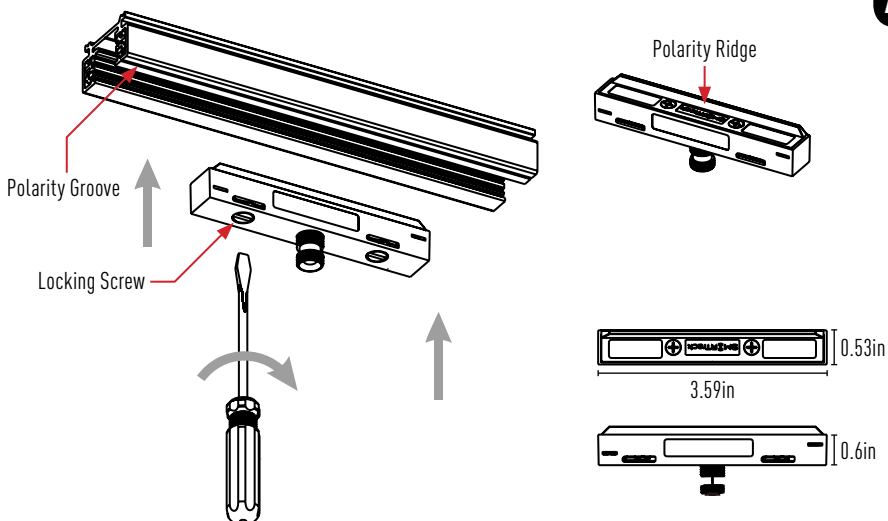
1. To add or remove media accessory and or holder, unscrew the Insert counterclockwise and separate cap from the insert
2. To instal (1) media accessory; place media into accessory holder insert and install the unit into the cap assembly clockwise to secure



ADAPTER INSTALLATION

1. Make sure power is turned off from the breaker. (Hot plugging fixtures may cause damage)
2. Insert adapter fully into track, aligning adapter polarity ridge with track polarity groove.
3. Use flat head screwdriver to turn both locking screws clockwise 1/4 turn.

NOTE: Do not side adapter within track once inserted



INSTRUCTIONS LHM-06042019 P-1

INTENSE LIGHTING | 3340 E La Palma Ave, Anaheim, CA 92806 | tel 714 630-9877 | fax 714 630-9883

For Intense Lighting's limited product warranty, go to www.intenselighting.com. For a printed copy of the warranty, you may call 800 961-5321.

© 2019 Intense Lighting, LLC. All rights reserved. Note: This document is subject to change without notice.

intense® | a LEVITON® company