

SS4G4DS / ICS432

4" SS LED Square Lensed Downlight Gen 4 - Wet Location

JOB NAME		CATALOG NUMBER	
NOTES		TYPE	

ELECTRICAL DATA

LED Light Engine	System Wattage *		CCT	Nominal Delivered Lumens **
	120-277V	347V		
L1	9W	9.7W	3500K	700lm
L2	13W	14.5W	3500K	1050lm
L3	17W	19.5W	3500K	1400lm

* System Wattage includes driver and LED Module consumption. | ** Delivered lumen output will vary depending on CCT selection.

LED MODULE

- Powered by OSRAM high performance LED engine
- 50,000 hours at 70% lumen maintenance
- 80 CRI at 2700K, 3000K, 3500K, 4000K

ELECTRICAL SYSTEM

- Universal voltage 120-277V when specified with Osram 0-10V 1% or Intellect options only
- eldoLED, Lutron and DMX Dimming must specify voltage
- Phase dimming available in 120V only
- 347V available with Osram 0-10V 1% Dimming only
- Power factor >.9, 50/60Hz

EMERGENCY BACKUP

Remote test switch included. External battery operates LED load of up to 7W at a minimum of 550 lumens for 90 minutes (EM7).

OPTICAL SYSTEM

Specification grade reflector with 1.2mm thickness. Reflector available in clear specular, haze or white. Architectural, discrete polished self flange standard. Optional painted white flange is available. Meets RP-1 requirements with controlled light distribution at a 55° cut off.

- 0-10V Dimming 1%
- Forward/Reverse Phase Dimming 1% (120V only)
- eldoLED 0-10V 0.1% or 1%
- Lutron® LDE1 Hi-Lume 1% EcoSystem LED driver with Soft-on, Fade-to-Black dimming technology
- Lutron® LTEA2W Hi-Lume 1% 2-Wire LED driver (120V forward phase only)
- Lutron® LDE5 5-Series EcoSystem LED driver
- DMX512 RDM 0.1%

Intellect™

- Listed on the DesignLights Consortium (DLC) Qualified Product List (QPL) for Networked Lighting Control systems
- Integrated control system provides occupancy and light level detection, and controls the load directly by the power control module Integrated intelligent fixture controls
- Only hot and neutral power required at all devices, no need for control wires
- 12" ceiling height maximum
- 24" cable provided for connection between sensor and power control module
- Keypad Room controller must be specified separately
- Visit Leviton [Intellect™](#) for more info

Heavy duty galvanized steel frame with a large access junction box. ETL listed for through wiring. LED light engine and driver are accessible from above or below ceiling.

INSTALLATION

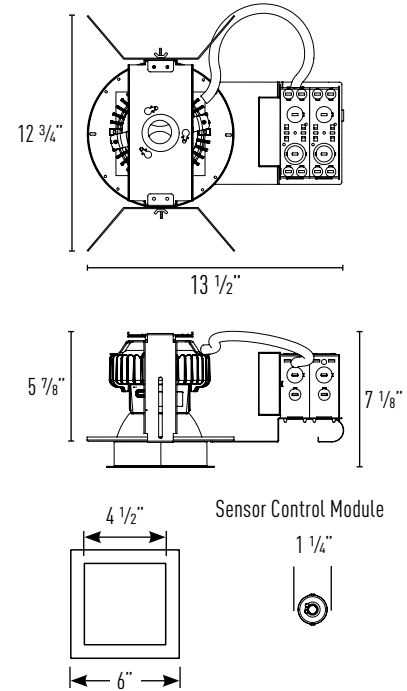
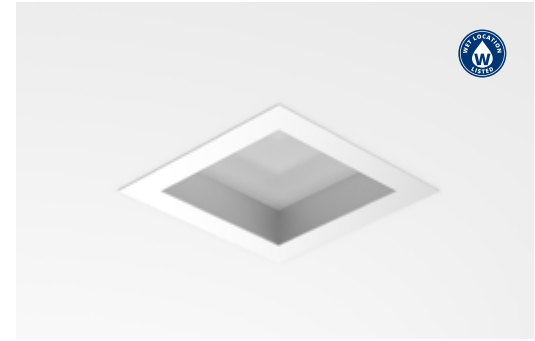
The luminaire is type Non-IC. Insulation must be kept at a minimum of 3" away from fixture. Universal mounting brackets included. Compatible with C-channel, flat bar, wood joist bar hanger and EMT. Bar hangers must be ordered separately. C-channel is recommended for T-bar ceilings. Maximum ceiling thickness is 1 1/4".

END-OF-LIFE INDICATOR

Optional end-of-life indicator helps the end user to receive a signal from the fixture indicating that it has reached its programmed life-time. After the LED driver reaches the programmed life-time, whenever it is turned ON, it stays at 'Dim' level (10%) for 10 minutes and then reaches its appropriate level.

LISTING/WARRANTY

- ETL listed to US and Canadian standards for wet locations.
- 5-Year Intense LED Limited Warranty



Ceiling Cut Out: 5 5/8" x 5 5/8"
Maximum Ceiling Thickness: 1 1/4"

DIMMING

FRAME CONSTRUCTION

Housing Part Number (Example: SS4G4DSL3358)

Housing	LED Module	CCT / CRI	Dimming	Voltage	Options	
SS4G4DS	L1 (9 Watts)	278 (2700K / 80 CRI)	blank (Osram 0-10V 1%)	blank (Universal 120/277V)	EM7 (7W Emergency Backup w/ Remote Test Switch IOTA part #ILB-CP07-A)	
	L2 (13 Watts)	308 (3000K / 80 CRI)	-IE ¹ (Intellect Wireless 1%)	34 ⁶ (347V)	EOL (End-of-Life Indicator at 50,000 hours)	
	L3 (17 Watts)	358 (3500K / 80 CRI)	▼ Not available with universal voltage, must specify blank (120V) or 27 (277V) ▼			I100 (C-Channel Bar Hangers)
		408 (4000K / 80 CRI)	-DIM ^{2,3} (Phase Dimming)	blank (120V)	I1200 (Flat Bar Hangers)	
			-ED10V1 (eldoLED 0-10V 1%)	27 (277V)	I400 (Wood Joist Bar Hangers)	
		-ED10V01 (eldoLED 0-10V 0.1%)				
		-LUT ⁴ (Lutron® LDE1 EcoSystem 1%)				
		-LUT ⁵ (Lutron® LDE5 EcoSystem 5%)				
		-LUT ^{2,4} (Lutron® LTEA2W 2-Wire 1%)				
		-DMXR ⁵ (DMX512 RDM 0.1%)				

Notes:

- Intellect not available with eldoLED, Lutron, DALI or DMX Dimming (Integrated intellect control system includes sensor and power pack Keypad Room Controller must be specified separately)
- Not available in L1 & L2
- Not available in 277V
- Lutron not available in L1
- DMX512 RDM not available in L1 & L2
- 347V only available with Osram 0-10V 1% Dimming

Reflector Part Number (Example: ICS432HZ-SF-PR)

Reflector	Reflector Finish	Trim	Lens Type
ICS432	HZ (Haze)	-SF (Self Flanged) -SFW (Self Flanged White)	-PR (Prismatic Spread)

SS-DOWNLIGHTING LUM-841.21 P.2

INTENSE LIGHTING | 3340 E La Palma Ave, Anaheim, CA 92806 | tel 714 630-9877 | fax 714 630-9883

For Intense Lighting's limited product warranty, go to [www.intenselighting.com](#). For a printed copy of the warranty, you may call 800 961-5321.

© 2021 Intense Lighting, LLC. All rights reserved. Note: This document is subject to change without notice.

SS4G4DS / ICS432

4" SS LED Square Lensed Downlight Gen 4 - Wet Location

JOB NAME		CATALOG NUMBER	
NOTES		TYPE	

SS4G4DSL1358 / ICS432HZ-PR

Test Number: ILL-20170302-04.001
 Lumens: 707.2lm
 Watts: 8.6W
 Efficacy: 82 lm/w

Distance to Floor (Feet)	Footcandles at Nadir	Beam Diameter (Feet)
6'	14.2fc	9' 0"
8'	8fc	11' 9"
10'	5.1fc	14' 9"
12'	3.6fc	17' 9"

Candela Distribution

Angle	Candela
0°	511
5°	507
15°	472
25°	401
35°	274
45°	133

Zonal Lumen Summary

Zone	Lumens	%Fixture
0-30	363	51
0-40	532	75
0-60	689	97
60-90	20	3
0-90	707	100

L1 LED Module - CCT Multipliers:

2700K (x 1.00), 3000K (x 1.00), 3500K (x 1.00), 4000K (x 1.08)

SS4G4DSL2358 / ICS432HZ-PR

Test Number: ILL-20170302-04.002
 Lumens: 1062.3lm
 Watts: 12.8W
 Efficacy: 82 lm/w

Distance to Floor (Feet)	Footcandles at Nadir	Beam Diameter (Feet)
6'	21.3fc	9' 0"
8'	12fc	11' 9"
10'	7.7fc	14' 9"
12'	5.3fc	17' 9"

Candela Distribution

Angle	Candela
0°	767
5°	761
15°	708
25°	602
35°	411
45°	197

Zonal Lumen Summary

Zone	Lumens	%Fixture
0-30	546	51
0-40	800	75
0-60	1032	97
60-90	31	3
0-90	1,062	100

L2 LED Module - CCT Multipliers:

2700K (x 0.95), 3000K (x 0.97), 3500K (x 1.00), 4000K (x 1.03)

SS4G4DSL3358 / ICS432HZ-PR

Test Number: ILL-20170302-04.003
 Lumens: 1414.5lm
 Watts: 17.2W
 Efficacy: 82 lm/w

Distance to Floor (Feet)	Footcandles at Nadir	Beam Diameter (Feet)
6'	28.4fc	9' 0"
8'	16fc	11' 9"
10'	10.2fc	14' 9"
12'	7.1fc	17' 9"

Candela Distribution

Angle	Candela
0°	1022
5°	1013
15°	943
25°	802
35°	547
45°	261

Zonal Lumen Summary

Zone	Lumens	%Fixture
0-30	726	51
0-40	1,065	75
0-60	1,374	97
60-90	41	3
0-90	1,415	100

L3 LED Module - CCT Multipliers:

2700K (x 0.97), 3000K (x 0.97), 3500K (x 1.00), 4000K (x 1.03)