

**⚠ WARNING**

Risk of electrical shock. Disconnect power before servicing or installing luminaire.

**⚠ WARNING**

Risk of injury or damage. Luminaire will fail if not installed properly. Follow installation instructions.

**⚠ WARNING**

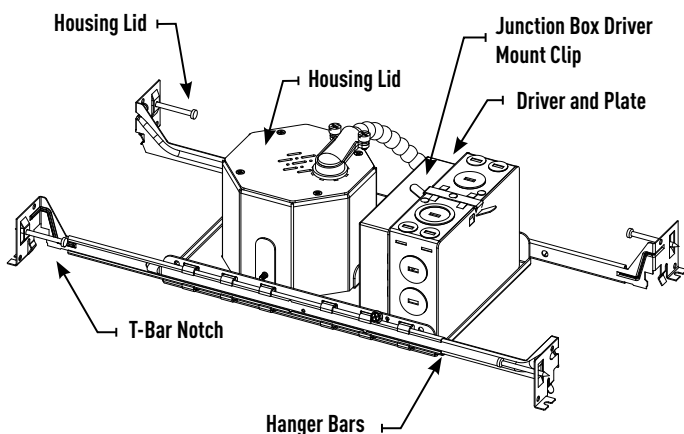
Risk of injury. Wear safety glasses and gloves during installation and servicing. Allow ample time to cool before handling.

**IMPORTANT SAFETY INSTRUCTIONS**

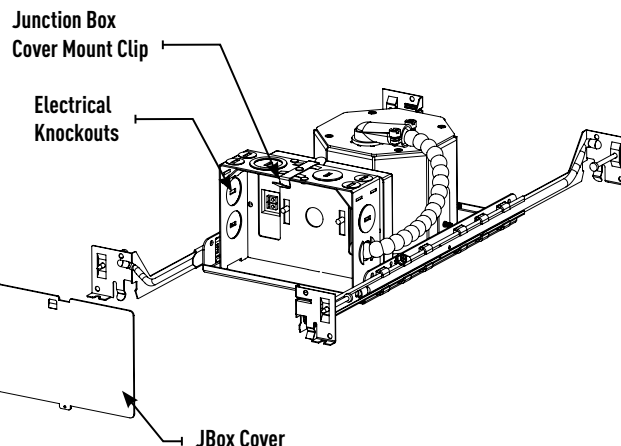
- Read all installation instructions before installing. It is important to save these instructions.
- Only install and connect LED module with power disconnected at the circuit breaker. Hot plugging, or connecting the module with power on, could damage the LEDs and is not covered by warranty.
- Observe and follow all label information and instructions regarding dry, damp and wet location listings, proper Intense LED module, warnings of installation near combustible materials and/or insulation.
- Be sure to connect ground wire to prevent electric shock or other potential hazards.
- The product must be installed in a manner consistent with the intended use and in compliance with the national electrical codes and local codes by a person familiar with the construction and operation of the product and the hazards involved.
- **WARNING:** Use only Intense Lighting trims listed for use with this fixture. Use of trims other than those listed by Intense Lighting is a violation of N.E.C 110-3(B) and voids all warranties.

**MOUNTING:**

Mounting bracket with attached hanger bars secure to joist or grid using fasteners or wire. Install with notches facing down to engage T-Bar grid.

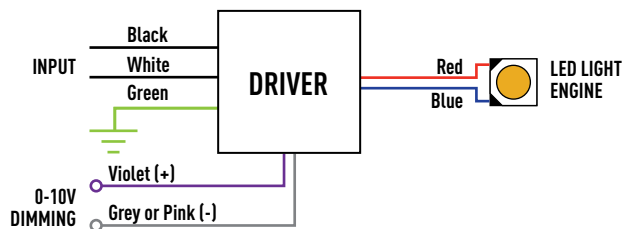


**WIRING:**

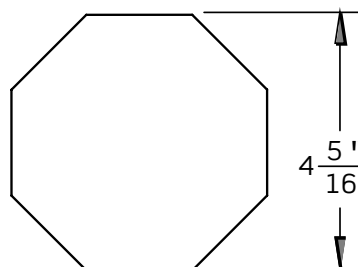


**ELECTRICAL CONNECTIONS:**

1. Make electrical connections through desired knockout for conduit or Romex® cable. Use only UL listed connectors.
2. Connect black wire from fixture to black (HOT) supply wire, white wire from fixture to white (NEUTRAL) supply wire and connect the ground from fixture to green (GROUND) supply wire. Use UL listed connectors or wire nuts to make the connections (provided by others). Connect dimming wires if applicable.
3. Close and lock junction box door ensuring all wire connections and wire are contained within.



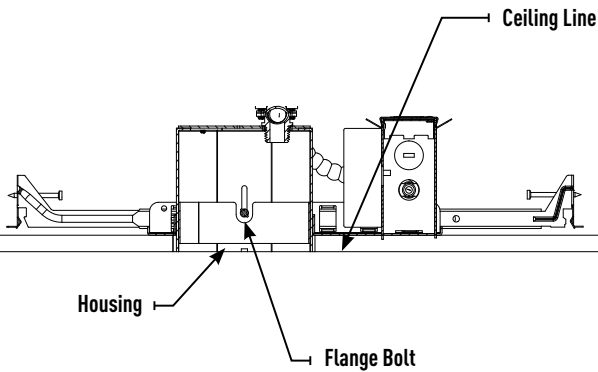
**CUTOUT SIZE AND PATTERN:**



5

### HOUSING HEIGHT ADJUSTMENT:

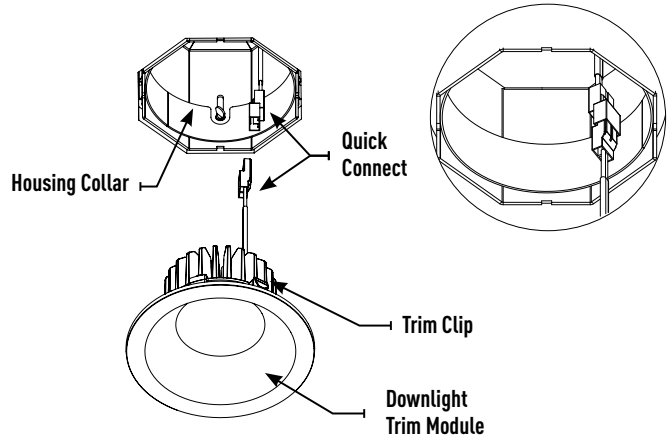
1. Loosen (2) flange bolts to make adjustments for housing to sit flush with ceiling line.
2. Tighten to lock housing into correct position.



6

### MODULE INSTALLATION:

1. Check that power is off at breaker, hot plugging may damage LEDs.
2. Connect female quick connect from housing to male quick connect on module.
3. Push trim module into housing collar so that clip holds trim module flush to ceiling line and is securely fastened into housing.

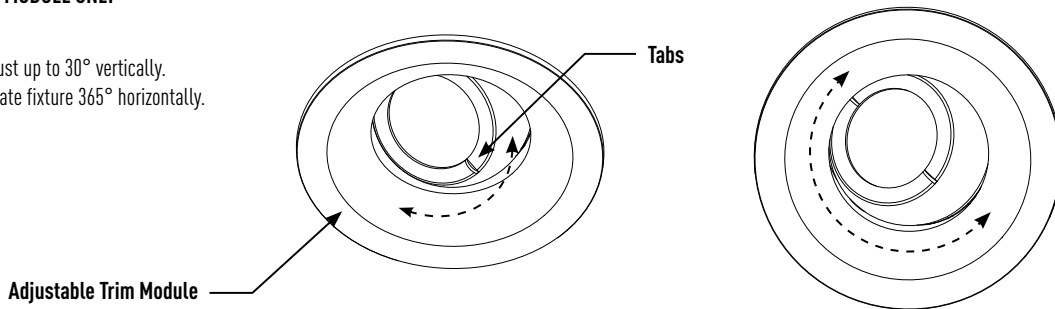


7

### FOR ADJUSTABLE MODULE ONLY

#### ADJUSTMENT:

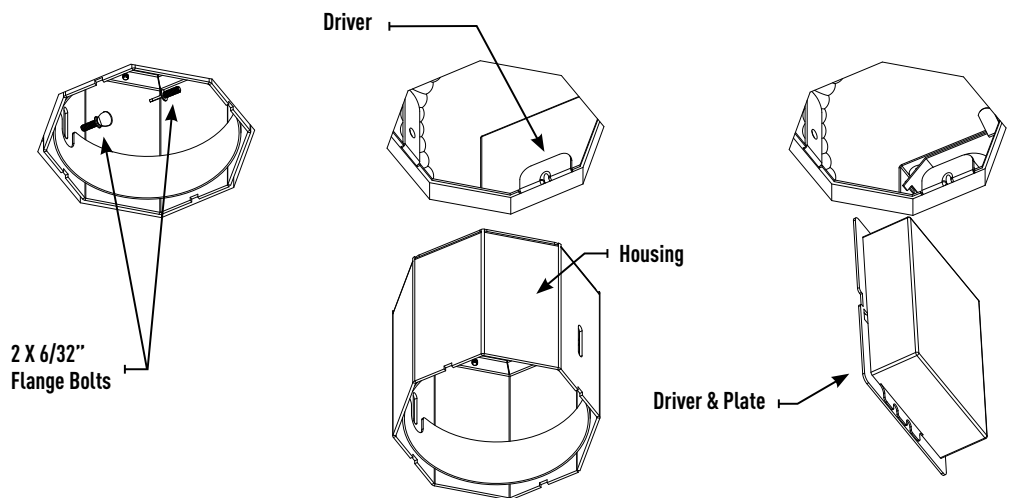
1. Push tabs to adjust up to 30° vertically.
2. Grip tabs and rotate fixture 365° horizontally.



8

### DRIVER REPLACEMENT:

1. Shut off power supplied to fixture.
2. Remove trim module from housing collar and disconnect quick connect.
3. Unscrew 2 flange bolts.
4. Pull housing and conduit through ceiling opening.
5. Unsnap driver plate from junction box at clip and pull driver through ceiling opening.
6. Replace new driver on plate with 2 8-32 nuts. Replace all components and wiring back to original position.



# WIRING & DIMMING COMPATIBILITY

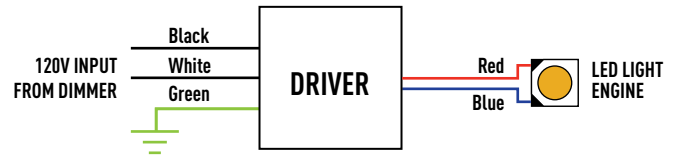
For use with all Intense Lighting product with supported dimming options.  
Please check configuration of product for correct dimming protocol.

## Phase Dimming or Lutron® LTEA2W Hi-Lume 2-Wire

- 120V Only
- Forward 1% / Reverse 5%

### COMPATIBLE DIMMERS

Product	Part Number(s)	Type
Leviton	IPE04	Reverse
Leviton	IPI06-1LZ	Forward
Leviton	6633-P	Forward
Lutron	DVELV300P	Reverse
Lutron	DVCL-153P	Forward
Lutron	S600P	Forward
Cooper	DLC03P	Forward
Cooper	DAL06P	Forward

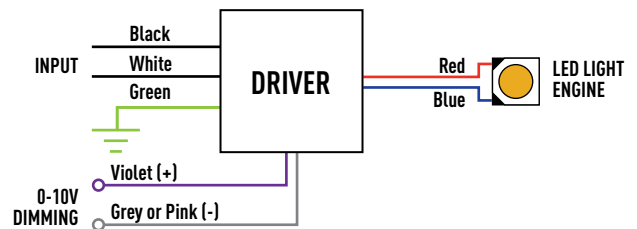


## 0-10V Dimming

- 120V or 277V
- Dims down to 1% or 0.1% light output
- Consult dimming manufacturer for installation instructions and power packs

### COMPATIBLE DIMMERS

Manufacturer	Part Number(s)
HUNT	PS-010-IV-120V, PS-010-WH-120V, PS-010-3W-IV-120, PS-010-3W-WH-120V, PS-010-IV-277V, PS-010-WH-277V, PS-010-3W-IV-277V, PS-010-3W-WH-277V, FD-010: PS-IFC-010-IV, PS-IFC-010-WH-120/277V, FD-010: PS-IFC-010-3W-IV, PS-IFC-010-3W-WH-120/277V, FD-010-120V, FD-010-277V
Leviton	Leviton Centura Fluorescent Control System, IlLumaTech™ IP7 Series, DPSPE-212
Lightotier	ZP600FAM120, MP1500FAM120, V2000FAMU
Lithonia	LEQ BC, LEQ LVBC, SLD LVBC, SQ1DC
Lutron	DVTV, NTFTV
Synergy	ISD BC 120/277

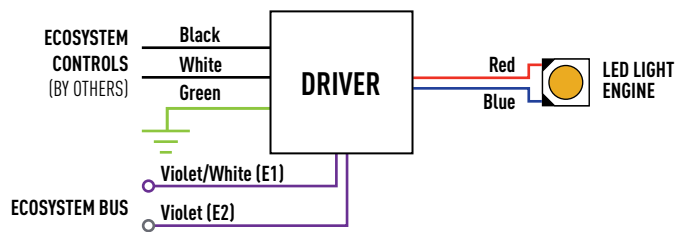


## Lutron® LDE1 Hi-Lume EcoSystem

- 120V or 277V
- Dims down to 1%
- Consult dimming manufacturer for installation instructions

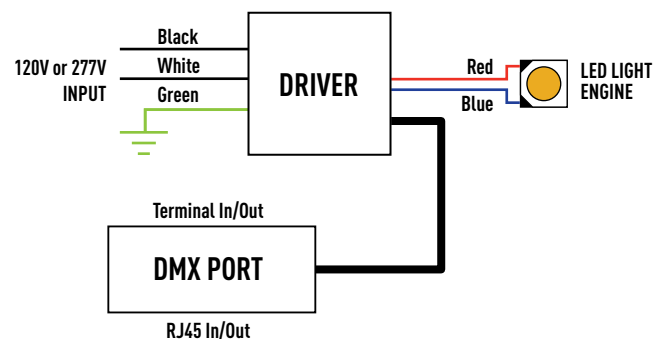
### COMPATIBLE DIMMERS

Product	Part Number(s)
EcoSystem	CS-1L-WM, CS-2L-WM, CS-1L-CM, CS-2L-CM, EcoSystem ESN, Grafik Eye QS with EcoSystem, Quantum



## DMX512 RDM (Downlights with RJ45)

- 120V or 277V
- Dims Down to 0.1% Light Output
- RDM Channel Programmable

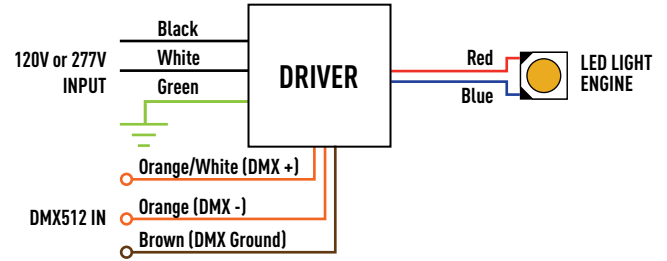


# WIRING & DIMMING COMPATIBILITY

For use with all Intense Lighting product with supported dimming options.  
Please check configuration of product for correct dimming protocol.

## DMX512 RDM (Cylinders without RJ45)

- 120V or 277V
- Dims Down to 0.1% Light Output
- RDM Channel Programmable

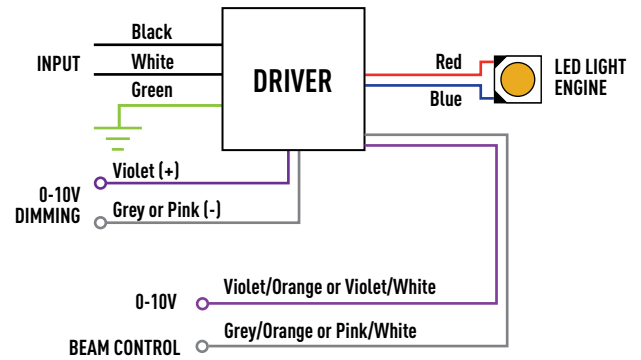


## 0-10V With Dynamic Beam

- 120V or 277V
- Dims down to 1% or 0.1% light output
- Consult dimming manufacturer for installation instructions and power packs

### COMPATIBLE DIMMERS

Manufacturer	Part Number(s)
HUNT	PS-010-IV-120V, PS-010-WH-120V, PS-010-3W-IV-120, PS-010-3W-WH-120V, PS-010-IV-277V, PS-010-WH-277V, PS-010-3W-IV-277V, PS-010-3W-WH-277V, FD-010: PS-IFC-010-IV, PS-IFC-010-WH-120/277V, FD-010: PS-IFC-010-3W-IV, PS-IFC-010-3W-WH-120/277V, FD-010-120V, FD-010-277V
Leviton	Leviton Centura Fluorescent Control System, IllumaTech™ IP7 Series, DPSPE-212
Lightolier	ZP600FAM120, MP1500FAM120, V2000FAMU
Lithonia	LEQ BC, LEQ LVBC, SLD LVBC, SQ1DC
Lutron	DVTV, NTFTV
Synergy	ISD BC 120/277

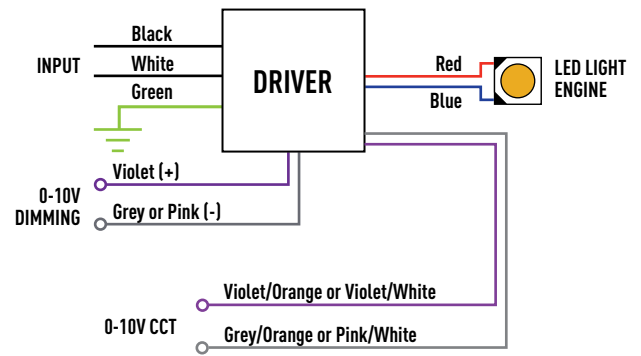


## 0-10V With Tunable White

- 120V or 277V
- Dims down to 1% or 0.1% light output
- Consult dimming manufacturer for installation instructions and power packs

### COMPATIBLE DIMMERS

Manufacturer	Part Number(s)
HUNT	PS-010-IV-120V, PS-010-WH-120V, PS-010-3W-IV-120, PS-010-3W-WH-120V, PS-010-IV-277V, PS-010-WH-277V, PS-010-3W-IV-277V, PS-010-3W-WH-277V, FD-010: PS-IFC-010-IV, PS-IFC-010-WH-120/277V, FD-010: PS-IFC-010-3W-IV, PS-IFC-010-3W-WH-120/277V, FD-010-120V, FD-010-277V
Leviton	Leviton Centura Fluorescent Control System, IllumaTech™ IP7 Series, DPSPE-212
Lightolier	ZP600FAM120, MP1500FAM120, V2000FAMU
Lithonia	LEQ BC, LEQ LVBC, SLD LVBC, SQ1DC
Lutron	DVTV, NTFTV
Synergy	ISD BC 120/277



## DALI With Tunable White

- 120V or 277V
- Dims down to 0.1%

