

LC4 / LCT4A

4" LC Fire-Rated Adjustable

JOB NAME		CATALOG NUMBER	
NOTES		TYPE	

ELECTRICAL DATA

LED Light Engine	System Wattage*	CCT / CRI	Nominal Delivered Lumens**
L2	8W	3000K / 90 CRI	650lm
L3	10W	3000K / 90 CRI	900lm

*System Wattage includes driver & LED Module consumption / **Delivered Lumen output will vary depending on CCT, CRI & finish

FEATURES

- J-Box housing design meets 2HR Fire Rating per UL514A
- Inherent airtight IC and CCEA rated for Chicago Plenum
- Concrete pour option available
- Single housing design accepts both round and square trims

LED LIGHT ENGINE

- 90 CRI in 2700K, 3000K or 3500K
- 2 SDCM (2-Step MacAdam)
- 50,000 hours L70 (rated life at 70% output)

OPTICS

- 26° Narrow Flood and 45° Flood

ELECTRICAL SYSTEM

- Universal 120V - 277V input
- This product complies with IEEE C62.41 for surge endurance up to 2.5KV
- Additional surge protection recommended
- Damage from power surge is not covered by warranty

HOUSING

- 16 gauge galvanized steel
- IC airtight and Chicago plenum rated, also available for non-IC applications
- Concrete pour option (includes mounting tabs)
- UL 1598 listed for damp locations

DIMMING

- Phase and 0-10V dimming available via single driver (120V only)
- Forward/reverse phase dimming (120V only)
- 0-10V 5% dimming
- [Dimming chart compatibility link](#)

TRIM ASSEMBLY

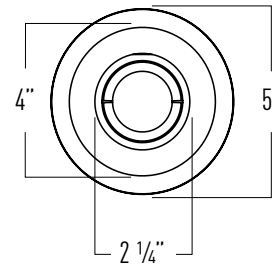
- Powder coated aluminum die-cast trim
- Quick connect for easy installation
- LED is protected by integral glass lens
- 365° horizontal rotation and 30° vertical adjustment
- Damp location listed

INSTALLATION

- Junction box housing is standard type IC Air-Tight rated for direct contact with insulation
- Fixture includes adjustable bar hangers (14"-24") for wood joist or t-bar ceiling installations
- Accommodates ceilings with a 1/2" to 1-1/2" thickness
- Maximum ambient temperature 50°C (122°F)

LISTING

- Trim Assembly: ETL listed to US and Canadian standards for wet location
- Housing: UL 1598 listed for damp locations
- Conforms to UL standard 263 to maintain fire rating in ceilings not exceeding 2 hours.
- CCEA rated for Chicago Plenum installations
- Can be used to comply with 2016 Title 24, Part 6, JA8 high efficacy LED light source requirements
- ENERGY STAR® Qualified
- STC:57/ IIC:50
- 5-Year Intense LED Limited Warranty



Ceiling Cut Out: 4 5/16" octagonal. Maximum Ceiling Thickness: 1 1/2"

For alternate dimming options see LC4F Downlight specification

Frame-In Part Number (Example: LC4L2)

Frame-In	Wattage	Dimming	Options
LC4 (Fire-Rated, J-box housing)	L2 (8 Watts) L3 (10 Watts)	blank (120V-277V, 120V phase ¹ , 0-10V)	P (Concrete Pour)

Trim Assembly Part Number (Example: LCT4ART309W-SF-NF)

Trim	CCT/CRI	Finish	Optic
LCT4ART (4" Adjustable Round)	279 (2700K/90 CRI) 309 (3000K/90 CRI) 359 (3500K/90 CRI)	W-SF (White / Self-Flanged)	-NF (26° Narrow Flood) -FL (45° Flood)

Note:

1. Phase Dimming, 120V Only

SPECIFICATION SHEET | M-091.21 P-25

INTENSE LIGHTING | 3340 E La Palma Ave, Anaheim, CA 92806 | tel 714 630-9877 | fax 714 630-9883

For Intense Lighting's limited product warranty, go to www.intenselighting.com. For a printed copy of the warranty, you may call 800 961-5321.

© 2021 Intense Lighting, LLC. All rights reserved. Note: This document is subject to change without notice.

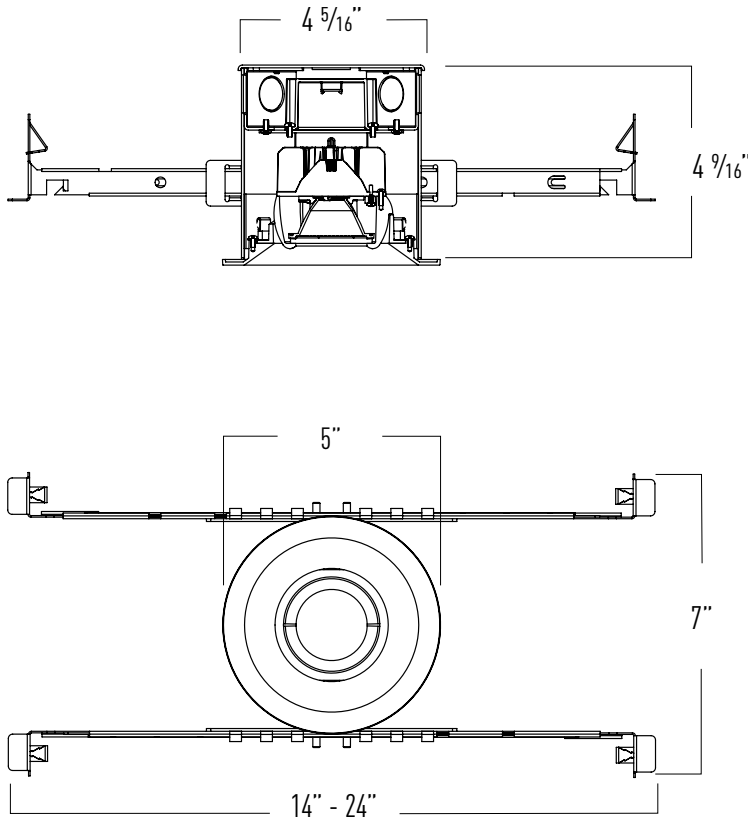
LC4 / LCT4A

4" LC Fire-Rated Adjustable

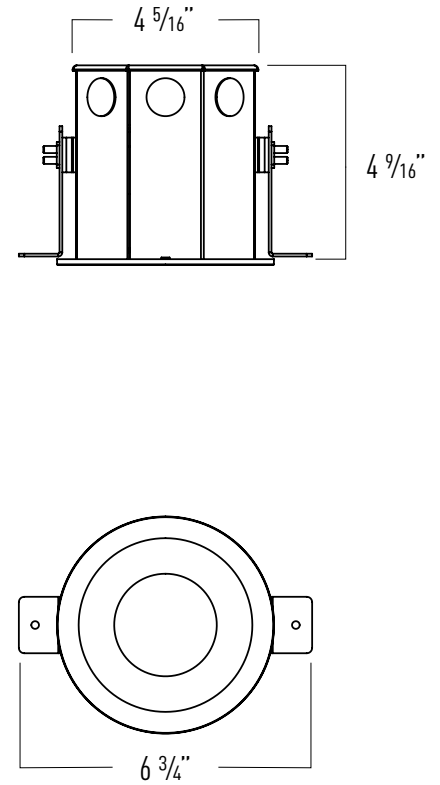
JOB NAME		CATALOG NUMBER	
NOTES		TYPE	

fundamentals™

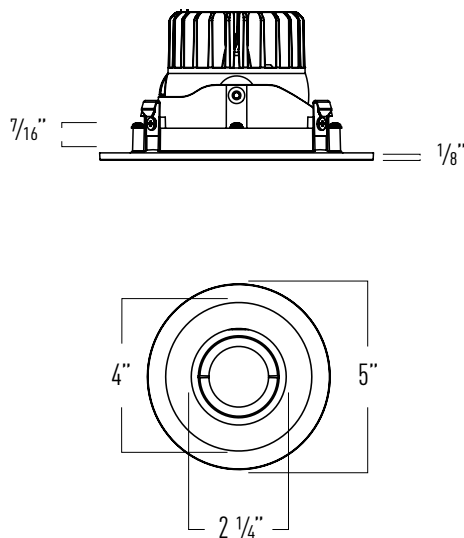
Standard Housings



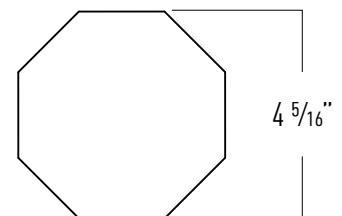
Concrete Pour Housings



Adjustable Trim



Ceiling Cut Out



Ceiling Cut Out: $4 \frac{5}{16}$ " octagonal. Maximum Ceiling Thickness: 1 1/2"

LC4 / LCT4A

4" LC Fire-Rated Adjustable

JOB NAME		CATALOG NUMBER	
NOTES		TYPE	

LC4L2/ LCT4ARTW-SF309

Report #: ILL-20180227-3.001

Watts: 8
Lumens: 651
LPW: 86
CCT: 3000K

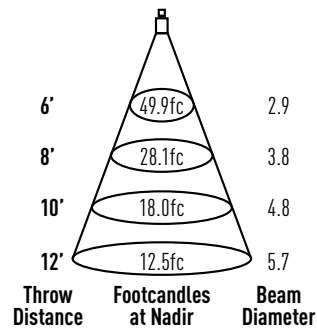
CCT / CRI Multipliers:

2700K / 90 CRI (x 0.93)
3000K / 90 CRI (x 1.00)
3500K / 90 CRI (x 1.00)

Candelas at Nadir

Degree	CBCP
0°	1796
5°	1663
15°	746
25°	315
35°	206
45°	16

26° Distribution



LC4L3/ LCT4ARTW-SF309

Report #: ILL-20180227-3.002

Watts: 10
Lumens: 923
LPW: 91
CCT: 3000K

CCT / CRI Multipliers:

2700K / 90 CRI (x 0.93)
3000K / 90 CRI (x 1.00)
3500K / 90 CRI (x 1.00)

Candelas at Nadir

Degree	CBCP
0°	2547
5°	2357
15°	1058
25°	447
35°	262
45°	23

26° Distribution

