

LC4 / LD4W

4" LC Warm Dim Fire-Rated Wall Wash

ELECTRICAL DATA

LED Light Engine	System Wattage *	CCT / CRI	Nominal Delivered Lumens **	
			Round	Square
L4	14W	3000K to 1800K / 92CRI	700lm	650lm

*System Wattage includes driver & LED Module consumption / **Delivered Lumen output will vary depending on CCT, CRI & finish

FEATURES

- J-Box housing design meets 2HR Fire Rating per UL514A
- Inherent airtight IC and CCEA rated for Chicago Plenum
- Concrete pour option available
- Single housing design accepts both round and square trims

LED LIGHT ENGINE

- Warm Dim 3000K to 1800K at 92CRI
- 2 SDCM (2-Step MacAdam)
- 50,000 hours L70 (rated life at 70% output)

ELECTRICAL SYSTEM

- Universal 120V - 277V input
- This product complies with IEEE C62.41 for surge endurance up to 2.5KV
- Additional surge protection recommended
- Damage from power surge is not covered by warranty

HOUSING

- 16 gauge galvanized steel
- IC airtight and Chicago plenum rated. Also suitable for Non-IC applications
- Concrete pour option (includes mounting tabs)

DIMMING

- Phase and 0-10V dimming available via single driver
- Forward/reverse phase dimming (120V only)
- 0-10V 5% dimming
- [Dimming compatibility chart link](#)

TRIM ASSEMBLY

- Die-cast trim and heat sink assembly with quick connect for easy installation.
- High optical transparency diffusion lens
- Wet location listed

INSTALLATION

- Junction box housing is standard type IC Air-Tight rated for direct contact with insulation
- Fixture includes adjustable bar hangers (14"-24") for wood joist or t-bar ceiling installations
- Accommodates ceilings with a 1/2" to 1-1/2" thickness
- Maximum ambient temperature 50°C (122°F)

LISTING

- Trim Assembly: ETL listed to US and Canadian standards for wet location
- Housing: ETL listed to UL 1598 standard
- ETL fire rate listed conforms to UL standard 263
- CCEA rated for Chicago Plenum installations
- STC:57/ IIC:50
- 5-Year Intense LED Limited Warranty
- Can be used to comply with 2016 Title 24, Part 6, JA8 high efficacy LED light source requirements²



JOB NAME		CATALOG NUMBER	
NOTES		TYPE	

fundamentals™



LD4WR



LD4WS

Ceiling Cut Out: 4 5/16" Octagonal. Maximum Ceiling Thickness: 1 1/2"

For alternate dimming options see LC4F Downlight specification

Frame-In Part Number (Example: LC4L4)

Frame-In	Wattage	Dimming	Options
LC4 (Fire-Rated, J-box housing)	L4 (14W)	blank (120V-277V, 120V Phase ¹ , 0-10V)	P (Concrete Pour)

Trim Assembly Part Number (Example: LDRWRWDW-SF)

Trim	CCT/CRI	Finish
LD4WR (4" Wall Wash Round)	WD (3000K-1800K)	W-SF (White / Self-Flanged)
LD4WS (4" Wall Wash Square)		B-SF (Black / Self-Flanged)
		SN-SFW (Satin Nickel / Self-Flanged White)

Note:

1. Phase Dimming, 120V only
2. 2016 Title 24, Part 6, JA8 excludes: B-SF & SN-SFW options

SPECIFICATION SHEET L/M-1222-21 P-13

INTENSE LIGHTING | 3340 E La Palma Ave, Anaheim, CA 92806 | tel 714 630-9877 | fax 714 630-9883

For Intense Lighting's limited product warranty, go to www.intenselighting.com. For a printed copy of the warranty, you may call 800 961-5321.

© 2021 Intense Lighting, LLC. All rights reserved. Note: This document is subject to change without notice.



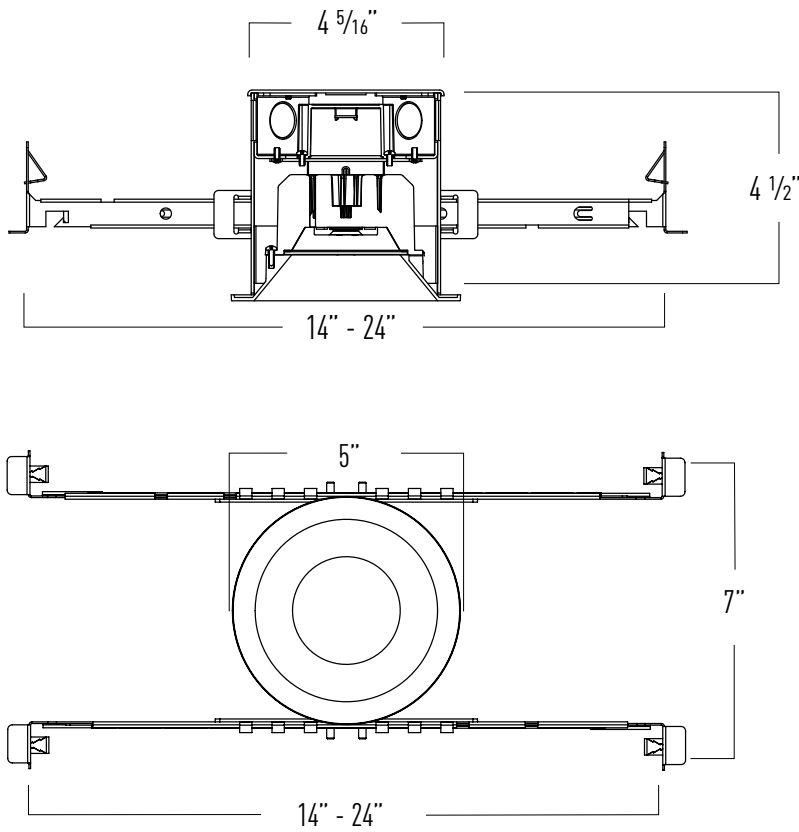
LC4 / LD4W

4" LC Warm Dim Fire-Rated Wall Wash

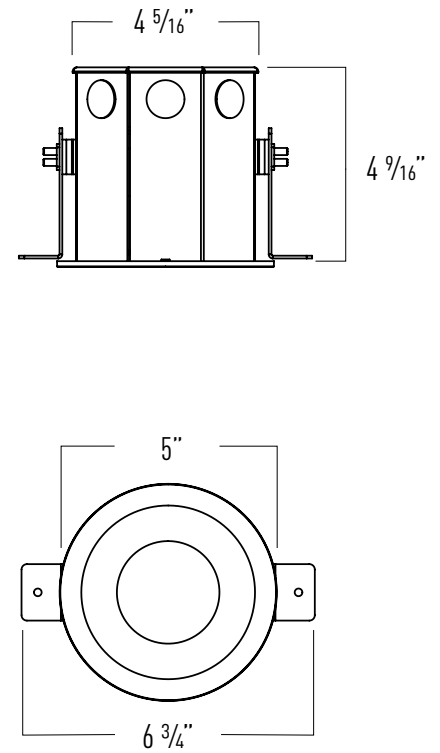
JOB NAME		CATALOG NUMBER	
NOTES		TYPE	

fundamentals™

Standard Housings

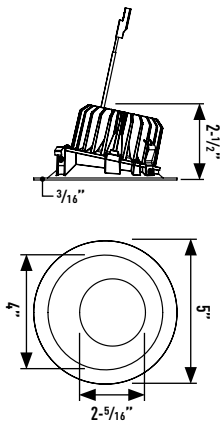


Concrete Pour Housings



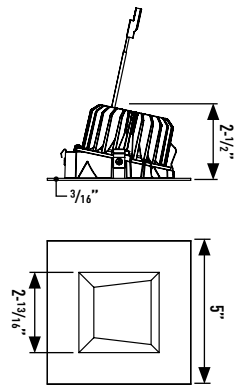
Wall Wash Trim

Round



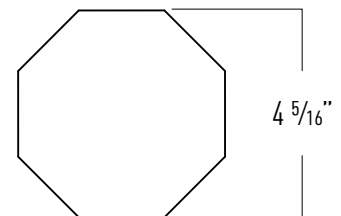
LD4WR

Square



LD4WS

Ceiling Cut Out



Ceiling Cut Out: $4 \frac{5}{16}''$ octagonal. Maximum Ceiling Thickness: $1 \frac{1}{2}''$

LC4 / LD4W

4" LC Warm Dim Fire-Rated Wall Wash

JOB NAME		CATALOG NUMBER	
NOTES		TYPE	

LC4L4 / LD4WR309-SFW

REPORT #: 20210315-2.102

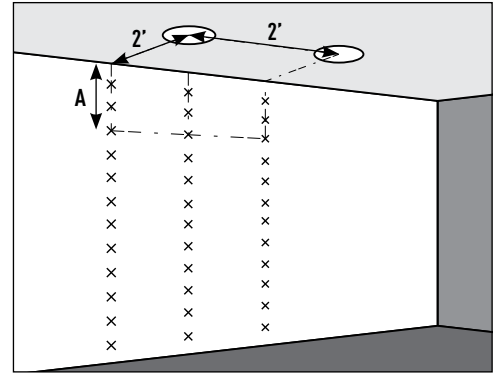
Watts: 8
Lumens: 550
LPW: 68.75
CCT: 3000K

TRIM FINISH MULTIPLIERS:

White (x 1.00)
Black (x 0.91)
Satin Nickel (x 0.95)

(A) Distance From Ceiling	2' From Wall On 2' Centers	3' From Wall On 2' Centers	3' From Wall On 3' Centers
	□ 2' □	□ 2' □	□ 3' □
1'	6 6 6	0.6 0.6 0.6	0.4 0.3 0.4
2'	26 26 26	11 11 11	5 5 5
3'	18 19 18	16 16 16	7 7 7
4'	12 12 12	13 13 13	6 6 6
5'	8 8 8	9 10 9	4 5 4
6'	5 5 5	7 7 7	3 3 3
7'	4 4 4	5 5 5	2 2 2
8'	3 3 3	4 4 4	2 2 2
9'	2 2 2	3 3 3	1 1 1
10'	1.4 1.4 1.4	2 2 2	1 1 1
11'	1.1 1.1 1.1	1.6 1.6 1.6	0.8 0.9 0.8
12'	0.8 0.8 0.8	1.2 1.2 1.2	0.7 0.7 0.7

Example: Two luminaires located 2' from wall and spaced 2' on center, the illumination on the wall 3' down from ceiling will be 11fc beneath units and 12fc between units



LC4L3 / LD4WR309-SFW

REPORT #: 20210315-2.102

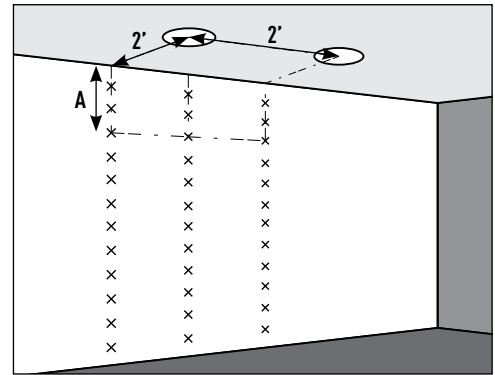
Watts: 11
Lumens: 900
LPW: 81.81
CCT: 3000K

TRIM FINISH MULTIPLIERS:

White (x 1.00)
Black (x 0.91)
Satin Nickel (x 0.95)

(A) Distance From Ceiling	2' From Wall On 2' Centers	3' From Wall On 2' Centers	3' From Wall On 3' Centers
	□ 2' □	□ 2' □	□ 3' □
1'	10 9 10	1 1 1	1 1 1
2'	40 41 40	17 17 17	12 11 12
3'	30 30 30	25 25 25	18 18 18
4'	19 19 19	20 20 20	15 16 15
5'	12 12 12	15 15 15	11 12 11
6'	8 8 8	10 11 10	8 9 8
7'	6 6 6	7 8 7	6 6 6
8'	4 4 4	5 6 5	5 5 5
9'	3 3 3	4 4 4	4 4 4
10'	2.2 2.2 2.2	3.1 3.2 3.1	2.7 2.8 2.7
11'	1.7 1.7 1.7	2.4 2.5 2.4	2.2 2.2 2.2
12'	1.3 1.3 1.3	1.9 1.9 1.9	1.7 1.8 1.7

Example: Two luminaires located 2' from wall and spaced 2' on center, the illumination on the wall 3' down from ceiling will be 11fc beneath units and 12fc between units



LC4L4 / LD4WR309-SFW

REPORT #: 20210315-2.102

Watts: 14
Lumens: 1100
LPW: 78.57
CCT: 3000K

TRIM FINISH MULTIPLIERS:

White (x 1.00)
Black (x 0.91)
Satin Nickel (x 0.95)

(A) Distance From Ceiling	2' From Wall On 2' Centers	3' From Wall On 2' Centers	3' From Wall On 3' Centers
	□ 2' □	□ 2' □	□ 3' □
1'	12 11 12	1 1 1	1 1 1
2'	50 50 50	20 21 20	15 13 15
3'	36 37 36	30 31 30	22 22 22
4'	23 24 23	25 25 25	18 19 18
5'	15 15 15	18 18 18	14 14 14
6'	10 10 10	13 13 13	10 11 10
7'	7 7 7	9 9 9	8 8 8
8'	5 5 5	7 7 7	6 6 6
9'	4 4 4	5 5 5	4 4 4
10'	2.6 2.7 2.6	3.8 4 3.8	3.4 3.4 3.4
11'	2.0 2.1 2.0	3.0 3 3.0	2.7 2.7 2.7
12'	1.6 1.6 1.6	2.4 2.4 2.4	2.1 2.2 2.1

Example: Two luminaires located 2' from wall and spaced 2' on center, the illumination on the wall 3' down from ceiling will be 11fc beneath units and 12fc between units

