

# LD4 / LD4D

## 4" LD Downlight - Non-IC Flat Frame

JOB NAME		CATALOG NUMBER	
NOTES		TYPE	

### ELECTRICAL DATA

LED Light Engine	System Wattage *	CCT / CRI	Nominal Delivered Lumens **	
			Round	Square
L05	5W	3000K / 90 CRI	400lm	350lm
L0	9W	3000K / 90 CRI	750lm	600lm
L1	11W	3000K / 90 CRI	1000lm	850lm
L2	17W	3000K / 90 CRI	1500lm	1250lm

\*System Wattage includes driver & LED Module consumption / \*\*Delivered Lumen output will vary depending on CCT, CRI & finish

### FEATURES

- Lutron and enhanced 0-10V dimming options
- Single housing design accepts both round and square trims

### LED LIGHT ENGINE

- 90 CRI in 2700K, 3000K, 3500K or 4000K
- 2 SDCM (2-Step MacAdam)
- 50,000 hours L70 (rated life at 70% output)

### ELECTRICAL SYSTEM

- Dedicated voltage options of 120V or 277V. Must be specified in catalog code
- This product complies with IEEE C62.41 for surge endurance up to 2.5KV
- Additional surge protection recommended
- Damage from power surge is not covered by warranty

### HOUSING

- 16 & 18 gauge galvanized steel construction
- UL 1598 listed for damp locations

### DIMMING

- Forward/reverse phase dimming (120V only)
- 0-10V 1% Dimming
- EldoLED SOLDrive 0-10V 0.1%
- EldoLED ECODrive 0-10V 1%
- Lutron® LDE1 Hi-Lume 1% EcoSystem LED driver with Soft-on, Fade-to-Black dimming technology
- Lutron® LTA2W Hi-Lume 1% 2-Wire LED driver (120V forward phase only)

### TRIM ASSEMBLY

- Die-cast trim and heat sink assembly with quick connect for easy installation.
- High optical transparency diffusion lens
- Wet location listed

### INSTALLATION

- Non-IC; insulation should be kept minimum 3" away from all sides of fixture
- Fixture includes adjustable bar hangers (14"-24") for wood joist or t-bar ceiling installations
- Accommodates ceilings with a 1/2" to 1-1/2" thickness
- Maximum ambient temperature 35°C (95°F)

### EMERGENCY

- EM option mounted nearby the fixture above ceiling
- [IOTA PC8 diagram](#)  
[IOTA ILB-CP instruction Manual](#)

### LISTING

- 5-Year Intense LED Limited Warranty
- Trim Assembly: ETL listed to US & Canadian standards for wet location
- ENERGY STAR® Qualified (White reflectors only; Excludes: 2700K/90CRI, eldoLED & Lutron® options)



LD4DR



LD4DS

Ceiling Cut Out: 4-1/2" / Max. Ceiling Thickness: 1 1/2"

### Frame-In Part Number (Example: LD4NCL0DIM)

Frame-In	Type	Wattage	Dimming	Voltage	Options
LD4 (LD 4" Flat Frame)	NC (New Construction Non-IC)	L05 <sup>1</sup> (5W)	DIM <sup>2</sup> (Phase Dimming 5%)	blank (120V)	EM7 <sup>3</sup> 7W EM Backup
		L0 (9W)	D101 (0-10V Dimming 1%)	27 (277V)	
		L1 (11W)	ED10V1 (eldoLED 0-10V 1%)		
		L2 (17W)	ED10V01 (eldoLED 0-10V 0.1%)		
			LUT (Lutron® LDE1 EcoSystem 1%)		
		LUT2 <sup>2</sup> (Lutron® LTA2W 2-Wire 1%)			

### Trim Assembly Part Number (Example: LD4DR309SN-SFW)

Trim	CCT/CRI	Finish
LD4DR (4" Downlight Round)	279 (2700K/90 CRI)	W-SF (White / Self-Flanged)
LD4DS (4" Downlight Square)	309 (3000K/90 CRI)	B-SF (Black / Self-Flanged)
	359 (3500K/90 CRI)	SN-SFW (Satin Nickel / Self-Flanged White)
	409 (4000K/90 CRI)	NC-SF <sup>4</sup> (White Non Conductive / Self-Flanged)

### Note:

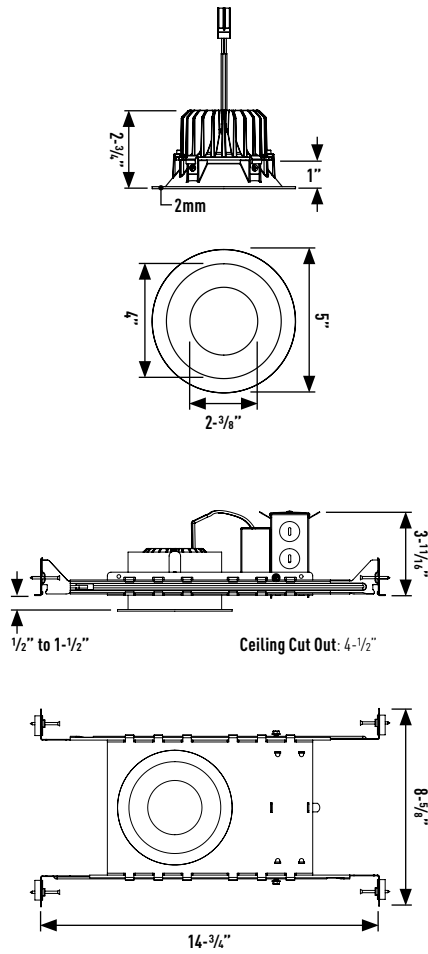
1. L05 available w/ DIM only
2. Available in 120V only
3. EM7 not available w/ L05
4. Available in Round Only

# LD4 / LD4D

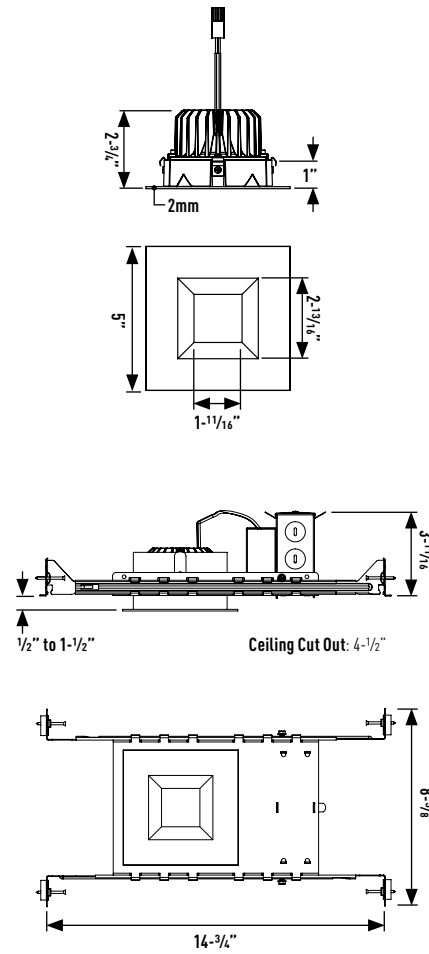
4" Downlight - Non-IC Flat Frame

JOB NAME		CATALOG NUMBER	
NOTES		TYPE	

**LD4DR**



**LD4DS**



**0-10V DIMMING ELECTRICAL TABLE\***

Lumen Package	Voltage	Wattage	VA	Input Current	Power Factor
L05	120V	-	-	-	-
	277V	-	-	-	-
L0	120V	9.2W	9.85	0.08	0.93
	277V	10.28W	13.79	0.05	0.75
L1	120V	11.46W	11.90	0.10	0.96
	277V	12.59W	16.43	0.06	0.77
L2	120V	16.95W	17.36	0.14	0.98
	277V	18.28W	20.99	0.08	0.87

\*Driver performance can fluctuate +/- 3% from measured date

**PHASE DIMMING ELECTRICAL TABLE\***

Lumen Package	Voltage	Wattage	VA	Input Current	Power Factor
L05	120V	5.07W	5.16	0.04	0.98
	277V	-	-	-	-
L0	120V	7.87W	7.92	0.07	0.99
	277V	9.32W	10.48	0.04	0.89
L1	120V	10.74W	10.81	0.09	0.99
	277V	11.9W	12.9	0.05	0.92
L2	120V	16.93W	17.26	0.14	0.98
	277V	17.77W	19.15	0.07	0.93

\*Driver performance can fluctuate +/- 3% from measured date

# LD4 / LD4D

4" Downlight - Non-IC Flat Frame

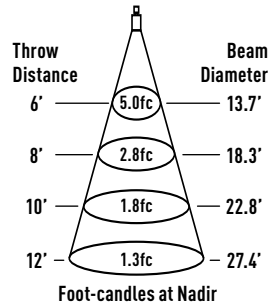
JOB NAME		CATALOG NUMBER	
NOTES		TYPE	

## LD4NCL05 / LD4DR309W-SF

REPORT #: 20201001-2.004

### TRIM FINISH MULTIPLIERS:

White (x 1.00)  
 Black (x 0.85)  
 Satin Nickel (x 0.91)



Watts: 5.1      LPW: 74  
 Lumens: 376      CCT: 3000K

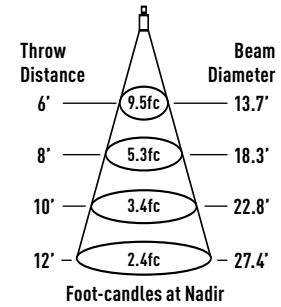
Intensity	
Degree	CBCP
0°	182
5°	182
15°	178
25°	160
35°	131
45°	103

## LD4NCL0 / LD4DR309W-SF

REPORT #: 20201001-2.003

### TRIM FINISH MULTIPLIERS:

White (x 1.00)  
 Black (x 0.85)  
 Satin Nickel (x 0.91)



Watts: 9.2      LPW: 77  
 Lumens: 706      CCT: 3000K

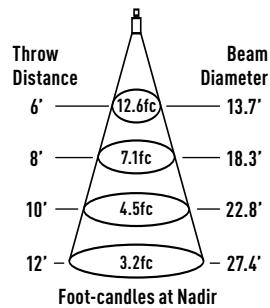
Intensity	
Degree	CBCP
0°	341
5°	341
15°	334
25°	299
35°	246
45°	192

## LD4NCL1 / LD4DR309W-SF

REPORT #: 20201001-2.001

### TRIM FINISH MULTIPLIERS:

White (x 1.00)  
 Black (x 0.85)  
 Satin Nickel (x 0.91)



Watts: 11.5      LPW: 82  
 Lumens: 941      CCT: 3000K

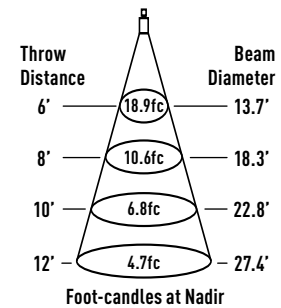
Intensity	
Degree	CBCP
0°	454
5°	454
15°	445
25°	399
35°	327
45°	256

## LD4NCL2 / LD4DR309W-SF

REPORT #: ILL-20190114-1 (7)

### TRIM FINISH MULTIPLIERS:

White (x 1.00)  
 Black (x 0.85)  
 Satin Nickel (x 0.91)



Watts: 17      LPW: 83  
 Lumens: 1412      CCT: 3000K

Intensity	
Degree	CBCP
0°	681
5°	682
15°	668
25°	598
35°	491
45°	384

# LD4 / LD4D

4" Downlight - Non-IC Flat Frame

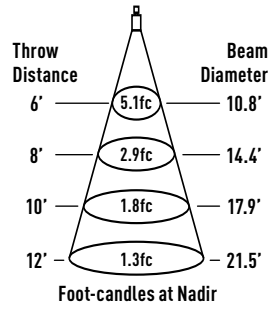
JOB NAME		CATALOG NUMBER	
NOTES		TYPE	

## LD4NCL05 / LD4DS309W-SF

REPORT #: 20201001-5.004

### TRIM FINISH MULTIPLIERS:

White (x 1.00)  
 Black (x 0.91)  
 Satin Nickel (x 0.95)



Watts: 5.1    LPW: 65  
 Lumens: 328    CCT: 3000K

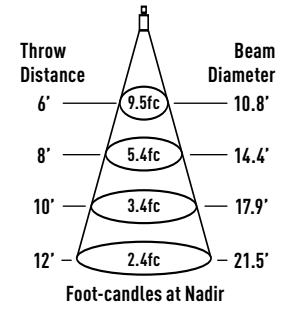
Intensity	
Degree	CBCP
0°	183
5°	183
15°	174
25°	154
35°	125
45°	64

## LD4NCL0 / LD4DS309W-SF

REPORT #: 20201001-5.003

### TRIM FINISH MULTIPLIERS:

White (x 1.00)  
 Black (x 0.91)  
 Satin Nickel (x 0.95)



Watts: 9.2    LPW: 6  
 Lumens: 616    CCT: 3000K

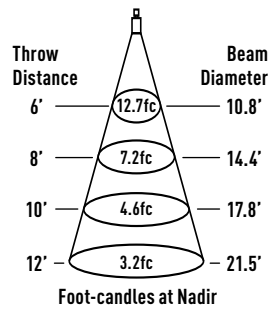
Intensity	
Degree	CBCP
0°	343
5°	342
15°	326
25°	288
35°	235
45°	119

## LD4NCL1 / LD4DS309W-SF

REPORT #: 20201001-2.001

### TRIM FINISH MULTIPLIERS:

White (x 1.00)  
 Black (x 0.91)  
 Satin Nickel (x 0.95)



Watts: 11.5    LPW: 72  
 Lumens: 821    CCT: 3000K

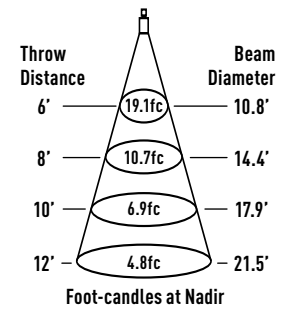
Intensity	
Degree	CBCP
0°	458
5°	456
15°	436
25°	384
35°	313
45°	159

## LD4NCL2 / LD4DS309W-SF

REPORT #: ILL-20190114-1 (7)

### TRIM FINISH MULTIPLIERS:

White (x 1.00)  
 Black (x 0.91)  
 Satin Nickel (x 0.95)



Watts: 17    LPW: 73  
 Lumens: 1232    CCT: 3000K

Intensity	
Degree	CBCP
0°	687
5°	684
15°	652
25°	576
35°	470
45°	239