

MXFG2DRTR

3.5" MX G2 Naked Warm Dim Downlight

JOB NAME		CATALOG NUMBER	
NOTES		TYPE	

ELECTRICAL DATA

LED Light Engine	System Wattage *	CCT / CRI	Delivered Lumens **	Lumens Per Watt
WD1	13.5W	3000K-1800K / 92 CRI	900lm	66 lm/W
WD2	16.5W	3000K-1800K / 92 CRI	1150lm	70 lm/W

* System Wattage include driver and LED Module consumption.

** Delivered lumens will vary depending on trim, CCT, CRI, optic and ceiling thickness

FEATURES

- Halogen style profile that warms as it dims 3000K at full intensity to 1800K at lowest dim level

LED LIGHT ENGINE

- 3000K to 1800K programmable tuning at 92 CRI
- 50,000 hours L70 (rated life at 70% output)

ELECTRICAL SYSTEM

- Multiple dimming drivers available
- 120V or 277V input; Power factor >.9, 50/60Hz
- This product complies with IEEE C62.41 for surge endurance up to 2.5KV
- Additional surge protection recommended, damage from power surge is not covered by warranty

DIMMING

- 0-10V Dimming 1%
- Forward/reverse dimming 1% (120V only)
- EldoLED 0-10V 0.1% or 1%
- Lutron® LDE1 Hi-Lume 1% EcoSystem LED driver with Soft-on, Fade-to-Black dimming technology

HOUSING

- Heavy duty galvanized 18 gauge steel frame
- Standard plaster frame accommodates 1/2" to 1-1/4" ceiling thickness
- Extended collar options available for ceilings up to 1-1/2" to 2-1/2" thick

TRIM SPECIFICATION

- A380 aluminum die-cast trims
- Durable powder coat available in multiple finishes
- Discrete self flange painted

ACCESSORIES

Luminaire will accommodate (2) accessories, accessory holder required, see page 2.

Trimless Mud Ring:

Perforated collar for seamless and trimless mounting. Must be ordered separately and can only be used in conjunction with trimless trims.

INSTALLATION

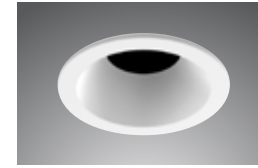
- Non-IC rated housings must be kept at a minimum of 3" away from insulation
- Fixture includes adjustable bar hangers (14"-24") for wood joist or t-bar ceiling installations
- Bar hangers can be installed in either direction
- Maximum ambient temperature: 95°F (35°C)

EMERGENCY BACKUP

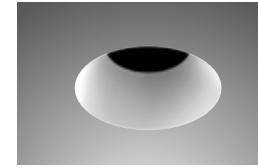
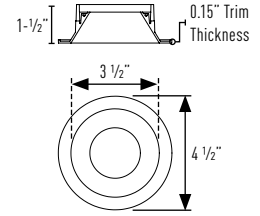
- Remote test switch included
- External battery operates LED load at a minimum of 500lm to 850lm for 90 minutes, depending on backup wattage selected
- Servicing requires above ceiling access

LISTING / WARRANTY

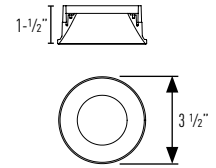
- 5-Year Intense LED Limited Warranty
- ETL listed to US and Canadian standards for damp locations



MXTFG2-RTRD300
(1-1/2" Regress)



MXTFG2-RTL300
(1-1/2" Regress Trimless Trim)



Available Trim Finishes



Housing dimensions are on Page 2

Related Products

For adjustable, wall wash and other trim options see standard MX Downlight Products



Please see [MXG2DRTR](#)
For more downlight trim options



Please see [MXG2ARTR](#)
For adjustable alternative



Please see [MXG2WRTR](#)
For wall alternative

Housing Part Number (Example: MXFG2DRTR-NCWD1DELV)

Housing	Installation Type	Ceiling Thickness	Wattage	Dimming	Voltage	Options
MXFG2DRTR	-NC (Non-IC)	blank (1/2" to 1-1/4")	WD1 (13.5W)	DELV ¹ (Phase Dimming)	blank (120V)	EM7 ³ (7W Emergency Backup IOTA Part #ILB-CP07-A) EM12 ³ (12W Emergency Backup IOTA Part #ILB-CP12-A)
		EC2 (1-1/4" to 2-1/2")	WD2 (16.5W)	D101 (0-10V Dimming 1%) LUT2 (Lutron® LDE1 EcoSyst™m 1%)	27 (277V)	

Trim Part Number (Example: MXTFG2-RTRD300W-SFWD1NF)

Trim	Trim Finish	Trim Type	Wattage	Optic
MXTFG2-RTRD300 (1-1/2" Regress)	W (White)	-SF (Self Flanged)	WD1 (13.5W)	NF (24° NFL)
	B ⁴ (Black)	blank ⁵ (Trimless, for use with mud ring only)	WD2 (16.5W)	FL (30° FL)
MXTFG2-RTL300 (1-1/2" Regress Trimless Trim)	SN ⁴ (Satin Nickel)			WF (45° WFL)

Notes:

- Available in 120V only
- Not available with WD1
- Access above ceiling required
- Consult factory for lead times
- Trimless options are for use with mud ring accessory only

Accessories

- LH47 (Accessory Holder, Black)
- LH47W (Accessory Holder, White)
- PFLMB-47 (Hex Louver, Black)
- PFL1-47 (Prismatic Spread Lens)
- PFL2-47 (Linear Spread Lens)
- PFL4-47 (Soft Focus Lens)

Mud Ring⁶

- MXR-MR (Round Trimless Mud Ring)

SPECIFICATION SHEET | M-0405-23 P-1

INTENSE LIGHTING | 3340 E La Palma Ave, Anaheim, CA 92806 | tel 714 630-9877 | fax 714 630-9883

For Intense Lighting's limited product warranty, go to www.intenselighting.com. For a printed copy of the warranty, you may call 800 961-5321.

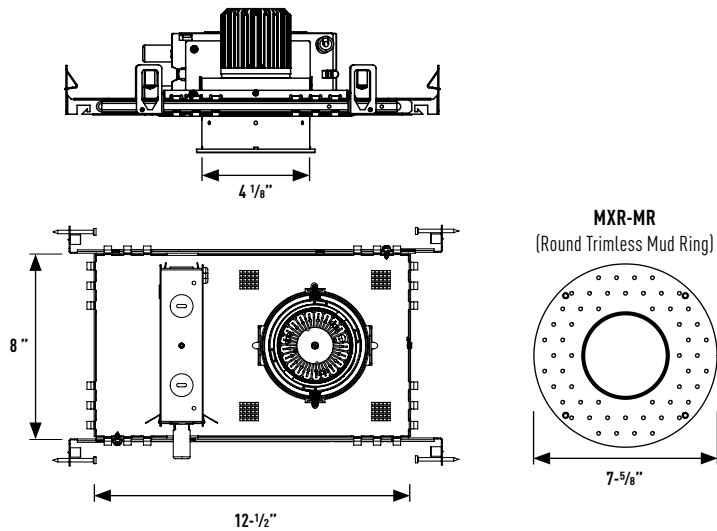
© 2023 Intense Lighting, LLC. All rights reserved. Note: This document is subject to change without notice.

intense[®] | a LEVITON[®] company
LIGHTING

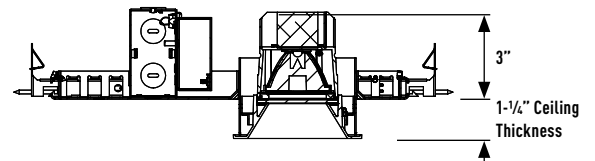
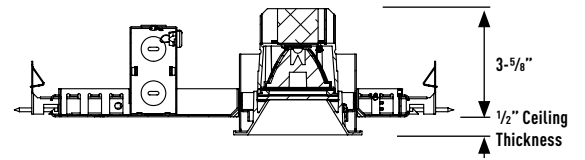
MXFG2DRTR

3.5" MX G2 Naked Warm Dim Downlight

HOUSING DIMENSIONS



JOB NAME		CATALOG NUMBER	
NOTES		TYPE	



Adjustable Collar Height

Collar Type	Standard	EC2
Max Ceiling Thickness	1/2" - 1 1/4"	1 1/4" - 2 1/2"

ACCESSORIES:

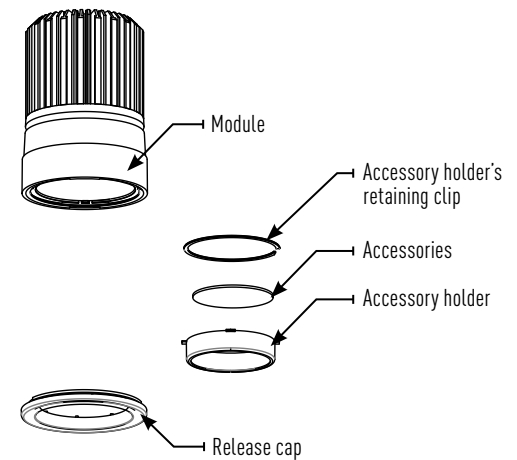
Luminaire will accommodate (2) accessories, accessory holder required.

INSTALLATION:

1. Rotate release cap by turning counter clockwise.
2. Install accessories into accessory holder and replace accessory holder's retaining clip.
3. Place accessory holder and accessory flush against optic and replace release cap.

Accessories

LH47	(Accessory Holder, Black)
LH47W	(Accessory Holder, White)
PFLMB-47	(Hex Louver, Black)
PFL1-47	(Prismatic Spread Lens)
PFL2-47	(Linear Spread Lens)
PFL4-47	(Soft Focus Lens)

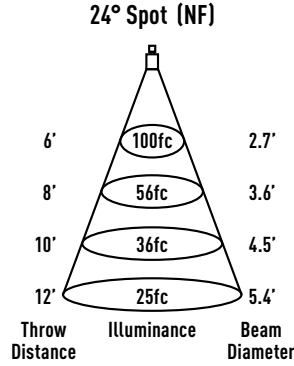


JOB NAME		CATALOG NUMBER	
NOTES		TYPE	

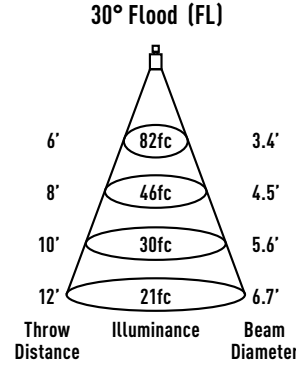
MXTG2-RTRD300WWD1

REPORT #:
 ILL20180913-10.001 (24)
 ILL20180917-1.001 (30)
 ILL20180919-1.001 (45)

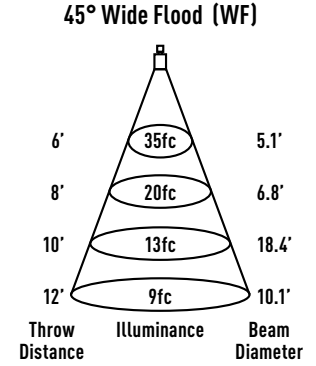
TRIM MULTIPLIERS:
 MXTG2-RTRD300 (x 1.00)
 MXTG2-RTRR300 (x 0.90)



Watts: 13.5
Lumens: 846
LPW: 63
CCT: 3000K



Watts: 13.5
Lumens: 959
LPW: 71
CCT: 3000K



Watts: 13.5
Lumens: 824
LPW: 61
CCT: 3000K

Intensity	
Degree	Candela
0°	3586
5°	3212
15°	1360
25°	316
35°	27
45°	6

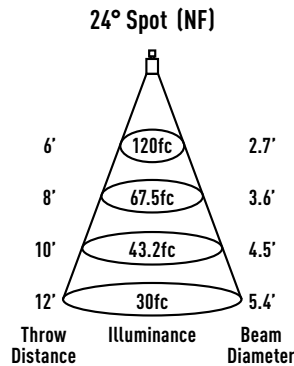
Intensity	
Degree	Candela
0°	2964
5°	2826
15°	1582
25°	444
35°	64
45°	9

Intensity	
Degree	Candela
0°	1268
5°	1240
15°	988
25°	540
35°	204
45°	53

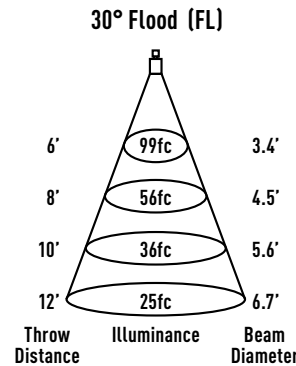
MXTG2-RTRD300WWD2

REPORT #:
 ILL20180913-10.002 (24)
 ILL20180917-1.002 (30)
 ILL20180919-1.002 (45)

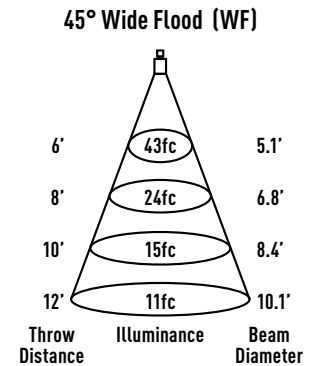
TRIM MULTIPLIERS:
 MXTG2-RTRD300 (x 1.00)
 MXTG2-RTRR300 (x 0.90)



Watts: 16.4
Lumens: 1021
LPW: 62
CCT: 3000K



Watts: 16.4
Lumens: 1155
LPW: 70
CCT: 3000K



Watts: 16.4
Lumens: 993
LPW: 61
CCT: 3000K

Intensity	
Degree	Candela
0°	4320
5°	3870
15°	1639
25°	380
35°	33
45°	8

Intensity	
Degree	Candela
0°	3571
5°	3405
15°	1906
25°	535
35°	77
45°	11

Intensity	
Degree	Candela
0°	1529
5°	1495
15°	1191
25°	651
35°	246
45°	64