

# MXFG2DRTR

3.5" MX G2 Naked Warm Dim Pinhole

JOB NAME		CATALOG NUMBER	
NOTES		TYPE	

## ELECTRICAL DATA

LED Light Engine	System Wattage *	CCT / CRI	Delivered Lumens **	Lumens Per Watt
WD1	13.5W	3000K-1800K / 92 CRI	900lm	66 lm/W
WD2	16.5W	3000K-1800K / 92 CRI	1150lm	70 lm/W

\* System Wattage include driver and LED Module consumption.

\*\* Delivered lumens will vary depending on trim, CCT, CRI, optic and ceiling thickness

## FEATURES

- Halogen style profile that warms as it dims 3000K at full intensity to 1800K at lowest dim level

## LED LIGHT ENGINE

- 3000K to 1800K programmable tuning at 92 CRI
- 50,000 hours L70 (rated life at 70% output)

## ELECTRICAL SYSTEM

- Multiple dimming drivers available
- 120V or 277V input; Power factor > .9, 50/60Hz
- This product complies with IEEE C62.41 for surge endurance up to 2.5KV
- Additional surge protection recommended, damage from power surge is not covered by warranty

## DIMMING

- 0-10V Dimming 1%
- Forward/reverse dimming 1% (120V only)
- EldoLED 0-10V 0.1% or 1%
- Lutron® LDE1 Hi-Lume 1% EcoSystem LED driver with Soft-on, Fade-to-Black dimming technology

## HOUSING

- Heavy duty galvanized 18 gauge steel frame
- Standard plaster frame accommodates 1/2" to 1-1/4" ceiling thickness
- Extended collar options available for ceilings up to 1-1/4" to 2-1/2" thick

## TRIM SPECIFICATION

- A380 aluminum die-cast trims
- Durable powder coat available in multiple finishes
- Discrete self flange painted

## ACCESSORIES

Luminaire will accommodate (2) accessories, accessory holder required, see page 2.

## INSTALLATION

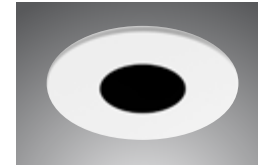
- Non-IC rated housings must be kept at a minimum of 3" away from insulation
- Fixture includes adjustable bar hangers (14"-24") for wood joist or t-bar ceiling installations
- Bar hangers can be installed in either direction
- Maximum ambient temperature: 95°F (35°C)

## EMERGENCY BACKUP

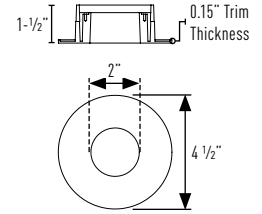
- Remote test switch included
- External battery operates LED load at a minimum of 500lm to 850lm for 90 minutes, depending on backup wattage selected
- Servicing requires above ceiling access

## LISTING / WARRANTY

- 5-Year Intense LED Limited Warranty
- ETL listed to US and Canadian standards for damp locations



**MXTFG2-RTRD306**  
(1-1/2" Regress)



## Available Trim Finishes



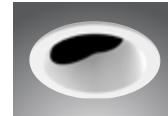
Housing dimensions are on Page 2

## Related Products

For adjustable, wall wash and other trim options see standard MX Downlight Products



Please see [MXG2DRTR](#)  
For more downlight trim options



Please see [MXG2ARTR](#)  
For adjustable alternative



Please see [MXG2WRTR](#)  
For wall alternative

Housing Part Number (Example: MXFG2DRTR-NCWD1DELV)

Housing	Installation Type	Ceiling Thickness	Wattage	Dimming	Voltage	Options
MXFG2DRTR	-NC (Non-IC)	blank (1/2" to 1-1/4")	WD1 (13.5W)	DELV <sup>1</sup> (Phase Dimming)	blank (120V)	EM7 <sup>2</sup> (7W Emergency Backup <a href="#">IOTA Part #ILB-CP07-A</a> )
		EC2 (1-1/4" to 2-1/2")	WD2 (16.5W)	D101 (0-10V Dimming 1%) LUT <sup>2</sup> (Lutron® LDE1 EcoSyst <sup>m</sup> 1%)	27 (277V)	EM12 <sup>3</sup> (12W Emergency Backup <a href="#">IOTA Part #ILB-CP12-A</a> )

Trim Part Number (Example: MXTFG2-RTRD306WWD1NF)

Trim	Finish	Wattage	Optic
MXTFG2-RTRD306 (1-1/2" Regress)	B (Black)	WD1 (13.5W)	NF (24° NFL)
	W (White)	WD2 (16.5W)	FL (30° FL) WF (45° WFL)

## Notes:

- Available in 120V only
- Not available with WD1
- Access above ceiling required

## Accessories

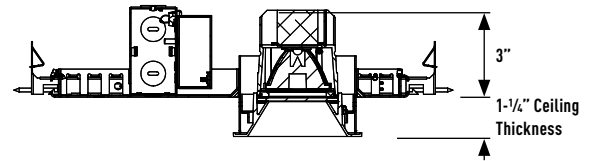
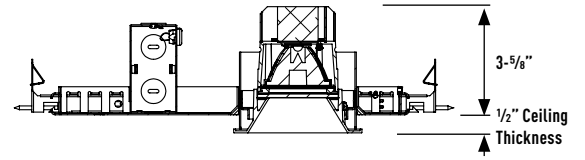
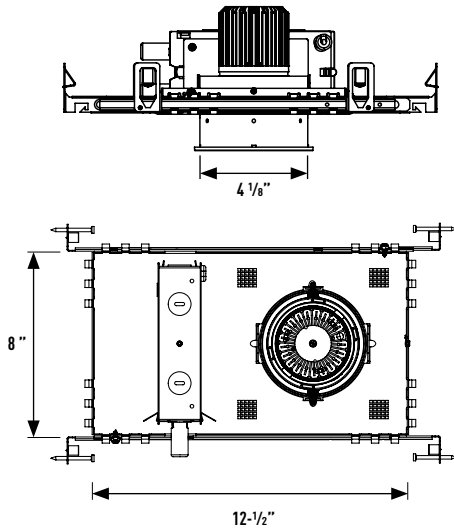
- LH47 (Accessory Holder, Black)
- LH47W (Accessory Holder, White)
- PFLMB-47 (Hex Louver, Black)
- PFL1-47 (Prismatic Spread Lens)
- PFL2-47 (Linear Spread Lens)
- PFL4-47 (Soft Focus Lens)

# MXFG2DRTR

3.5" MX G2 Naked Warm Dim Downlight

JOB NAME		CATALOG NUMBER	
NOTES		TYPE	

## HOUSING DIMENSIONS



### Adjustable Collar Height

Collar Type	Standard	EC2
Max Ceiling Thickness	1/2" - 1 1/4"	1 1/4" - 2-1/2"

## ACCESSORIES:

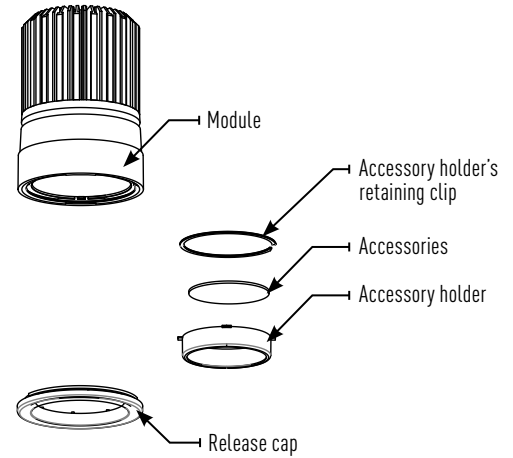
Luminaire will accommodate (2) accessories, accessory holder required.

## INSTALLATION:

1. Rotate release cap by turning counter clockwise.
2. Install accessories into accessory holder and replace accessory holder's retaining clip.
3. Place accessory holder and accessory flush against optic and replace release cap.

## Accessories

LH47	(Accessory Holder, Black)
LH47W	(Accessory Holder, White)
PFLMB-47	(Hex Louver, Black)
PFL1-47	(Prismatic Spread Lens)
PFL2-47	(Linear Spread Lens)
PFL4-47	(Soft Focus Lens)

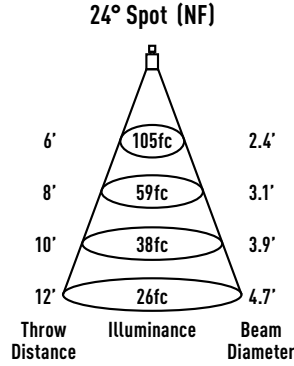


JOB NAME		CATALOG NUMBER	
NOTES		TYPE	

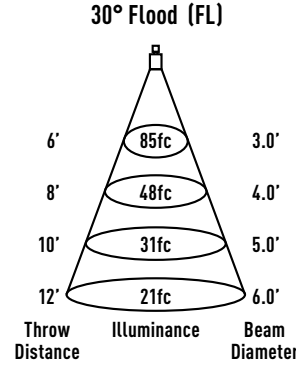
## MXTG2-RTRD306WWD1

**REPORT #:**  
 ILL20180913-12.001 (24)  
 ILL20180917-3.001 (30)  
 ILL20180919-3.001 (45)

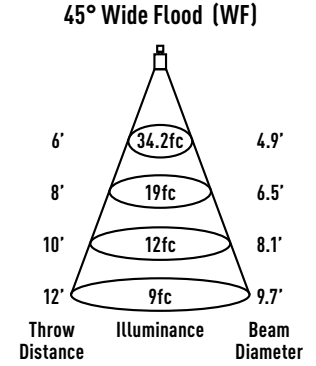
**TRIM MULTIPLIERS:**  
 MXTG2-RTRD306 (x 1.00)  
 MXTG2-RTRR306 (x 0.98)



**Watts:** 13.5  
**Lumens:** 593  
**LPW:** 44  
**CCT:** 3000K



**Watts:** 13.5  
**Lumens:** 767  
**LPW:** 57  
**CCT:** 3000K



**Watts:** 13.5  
**Lumens:** 687  
**LPW:** 51  
**CCT:** 3000K

Intensity	
Degree	Candela
0°	3788
5°	3351
15°	894
25°	76
35°	9
45°	3

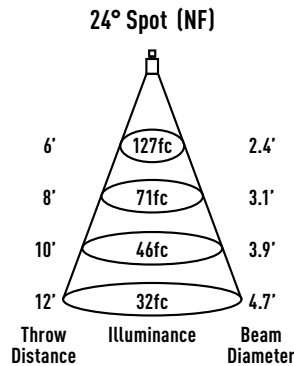
Intensity	
Degree	Candela
0°	3060
5°	2927
15°	1329
25°	270
35°	37
45°	3

Intensity	
Degree	Candela
0°	1233
5°	1208
15°	963
25°	458
35°	130
45°	12

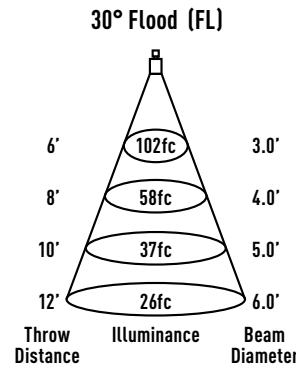
## MXTG2-RTRD306WWD2

**REPORT #:**  
 ILL20180913-12.002 (24)  
 ILL20180917-3.002 (30)  
 ILL20180919-3.002 (45)

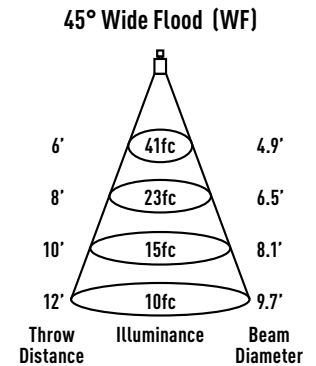
**TRIM MULTIPLIERS:**  
 MXTG2-RTRD306 (x 1.00)  
 MXTG2-RTRR306 (x 0.98)



**Watts:** 16.4  
**Lumens:** 715  
**LPW:** 44  
**CCT:** 3000K



**Watts:** 16.4  
**Lumens:** 960  
**LPW:** 59  
**CCT:** 3000K



**Watts:** 16.4  
**Lumens:** 828  
**LPW:** 50  
**CCT:** 3000K

Intensity	
Degree	Candela
0°	4564
5°	4037
15°	1077
25°	91
35°	11
45°	4

Intensity	
Degree	Candela
0°	3687
5°	3527
15°	1601
25°	326
35°	44
45°	3

Intensity	
Degree	Candela
0°	1485
5°	1455
15°	1160
25°	552
35°	157
45°	15