

MXFG2DRTR

3.5" MX G2 Naked Warm Dim Wall Wash

JOB NAME		CATALOG NUMBER	
NOTES		TYPE	

ELECTRICAL DATA

LED Light Engine	System Wattage *	CCT / CRI	Delivered Lumens **	Lumens Per Watt
WD1	13.5W	3000K-1800K / 92 CRI	500lm	37 lm/W
WD2	16.5W	3000K-1800K / 92 CRI	650lm	39 lm/W

* System Wattage include driver and LED Module consumption.

** Delivered lumens will vary depending on trim, CCT, CRI, optic and ceiling thickness

FEATURES

- Halogen style profile that warms as it dims 3000K at full intensity to 1800K at lowest dim level

LED LIGHT ENGINE

- 3000K to 1800K programmable tuning at 92 CRI
- 50,000 hours L70 (rated life at 70% output)

ELECTRICAL SYSTEM

- Multiple dimming drivers available
- 120V or 277V input; Power factor >.9, 50/60Hz
- This product complies with IEEE C62.41 for surge endurance up to 2.5KV
- Additional surge protection recommended, damage from power surge is not covered by warranty

DIMMING

- 0-10V Dimming 1%
- Forward/reverse dimming 1% (120V only)
- EldoLED 0-10V 0.1% or 1%
- Lutron® LDE1 Hi-Lume 1% EcoSystem LED driver with Soft-on, Fade-to-Black dimming technology

HOUSING

- Heavy duty galvanized 18 gauge steel frame
- Standard plaster frame accommodates 1/2" to 1-1/4" ceiling thickness
- Extended collar options available for ceilings up to 1-1/2" to 2-1/2" thick

TRIM SPECIFICATION

High performance wall wash with asymmetric distribution provides uniform vertical illumination (see spacing criteria on next pages). Durably constructed with die-cast A380 aluminum and powder coat finish.

INSTALLATION

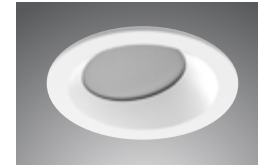
- Non-IC rated housings must be kept at a minimum of 3" away from insulation
- Fixture includes adjustable bar hangers (14"-24") for wood joist or t-bar ceiling installations
- Bar hangers can be installed in either direction
- Maximum ambient temperature: 95°F (35°C)

EMERGENCY BACKUP

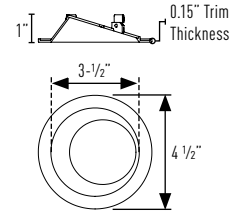
- Remote test switch included
- External battery operates LED load at a minimum of 300lm to 650lm for 90 minutes, depending on backup wattage selected
- Servicing requires above ceiling access

LISTING / WARRANTY

- 5-Year Intense LED Limited Warranty
- ETL listed to US and Canadian standards for damp locations



MXTFG2-RTRW300
(1" Regress)



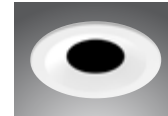
Available Trim Finishes



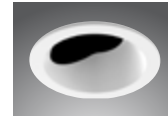
Housing dimensions are on Page 2

Related Products

For adjustable, wall wash and other trim options see standard MX Downlight Products



Please see [MXG2DRTR](#)
For more downlight trim options



Please see [MXG2ARTR](#)
For adjustable alternative



Please see [MXG2WRTR](#)
For wall alternative

Housing Part Number (Example: MXFG2DRTR-NCWD1DELV)

Housing	Installation Type	Ceiling Thickness	Wattage	Dimming	Voltage	Options
MXFG2DRTR	-NC (Non-IC)	blank (1/2" to 1-1/4")	WD1 (13.5W)	DELV ¹ (Phase Dimming)	blank (120V)	EM7 ³ (7W Emergency Backup IOTA Part #ILB-CP07-A) EM12 ³ (12W Emergency Backup IOTA Part #ILB-CP12-A)
		EC2 (1-1/4" to 2-1/2")	WD2 (16.5W)	D101 (0-10V Dimming 1%) LUT ² (Lutron® LDE1 EcoSyst™m 1%)	27 (277V)	

Trim Part Number (Example: MXTFG2-RTRD300W-SFWD1)

Trim	Trim Finish	Trim Type	Wattage
MXTFG2-RTRW300 (1" Regress)	W (White)	-SF (Self Flanged)	WD1 (13.5W)
	B ⁴ (Black)		WD2 (16.5W)
	SN ⁴ (Satin Nickel)		

Notes:

- Available in 120V only
- Not available with WD1
- Access above ceiling required
- Consult factory for lead times

SPECIFICATION SHEET L/M-0405-23 P-19

INTENSE LIGHTING | 3340 E La Palma Ave, Anaheim, CA 92806 | tel 714 630-9877 | fax 714 630-9883

For Intense Lighting's limited product warranty, go to www.intenselighting.com. For a printed copy of the warranty, you may call 800 961-5321.

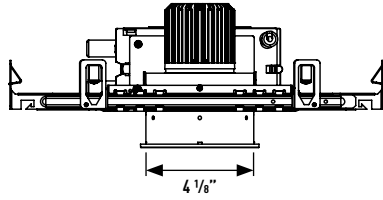
© 2023 Intense Lighting, LLC. All rights reserved. Note: This document is subject to change without notice.

MXFG2DRTR

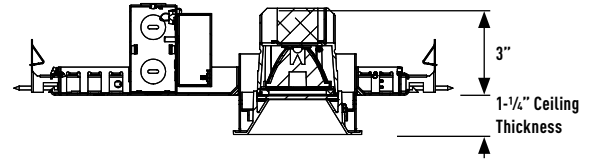
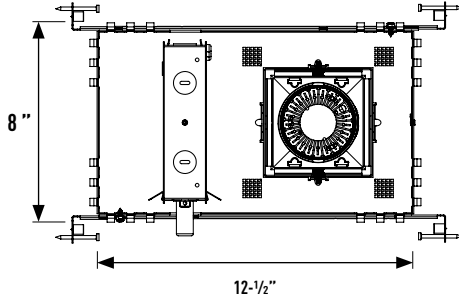
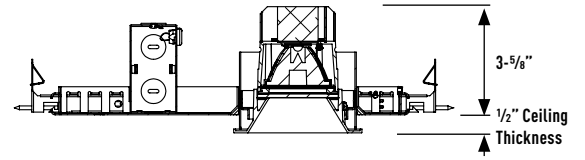
3.5" MX G2 Naked Warm Dim Wall Wash

JOB NAME		CATALOG NUMBER	
NOTES		TYPE	

HOUSING DIMENSIONS



Ceiling Cut-Out: 4 1/8"



Adjustable Collar Height

Collar Type	Standard	EC2
Max Ceiling Thickness	1/2" - 1 1/4"	1 1/4" - 2-1/2"

MX

3.5" MX G2 LED Wall Wash Photometrics

JOB NAME		CATALOG NUMBER	
NOTES		TYPE	

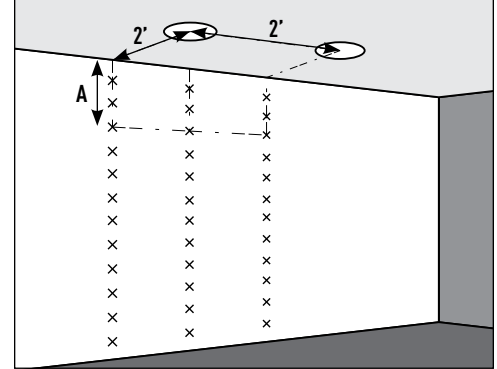
MXTFG2-RTRW300WD1

Report #: ILL-01282016-13
 Reflector Finish: White
 Luminaire Watts: 13.5W
 Luminaire Lumens: 500lm
 Lumens Per Watt: 47
 Color Temperature: 3000K
 Color Rendering Index: 82

EMERGENCY MULTIPLIER:
 7W Emergency (x 0.70)

(A) Distance From Ceiling	2' From Wall On 2' Centers	3' From Wall On 2' Centers	3' From Wall On 3' Centers
	□ 2' □	□ 2' □	□ 3' □
1'	10 9 10	4 4 4	3 3 3
2'	15 16 15	7 7 7	5 5 5
3'	21 22 21	9 10 9	7 7 7
4'	22 23 22	12 13 12	9 9 9
5'	18 19 18	13 14 13	10 10 10
6'	14 15 14	13 14 13	10 10 10
7'	11 11 11	12 12 12	9 9 9
8'	8 8 8	10 10 10	8 8 8
9'	6 6 6	8 9 8	6 7 6
10'	5 5 5	7 7 7	5 5 5
11'	4 4 4	5 6 5	4 5 4
12'	3 3 3	4 5 4	4 4 4

Example: Two luminaires located 2' from wall and spaced 2' on center, the illumination on the wall 3' down from ceiling will be 11fc beneath units and 12fc between units



MXTFG2-RTRW300WWD2

Report #: ILL-01292016-01
 Reflector Finish: White
 Luminaire Watts: 16.5W
 Luminaire Lumens: 650lm
 Lumens Per Watt: 43
 Color Temperature: 3000K
 Color Rendering Index: 82

EMERGENCY MULTIPLIER:
 7W Emergency (x 0.50)
 12W Emergency (x 0.85)

(A) Distance From Ceiling	2' From Wall On 2' Centers	3' From Wall On 2' Centers	3' From Wall On 3' Centers
	□ 2' □	□ 2' □	□ 3' □
1'	12 11 12	5 5 5	4 3 4
2'	18 19 18	9 9 9	6 6 6
3'	25 27 25	11 12 11	8 9 8
4'	26 27 26	14 16 14	10 11 10
5'	22 23 22	16 17 16	12 12 12
6'	17 18 17	16 17 16	12 12 12
7'	13 13 13	14 15 14	11 11 11
8'	10 10 10	12 12 12	9 9 9
9'	7 8 7	10 10 10	8 8 8
10'	6 6 6	8 8 8	6 7 6
11'	4 5 4	7 7 7	5 5 5
12'	4 4 4	5 5 5	4 5 4

Example: Two luminaires located 2' from wall and spaced 2' on center, the illumination on the wall 3' down from ceiling will be 15fc beneath units and 17fc between units

