

MXG2ASTR

3.5" MX G2 LED Warm Dim Square Lensed Adjustable - Wet Location

| | | | |
|-----------------|--|-----------------------|--|
| JOB NAME | | CATALOG NUMBER | |
| NOTES | | TYPE | |

ELECTRICAL DATA

| LED Light Engine | System Wattage * | CCT / CRI | Delivered Lumens ** |
|------------------|------------------|----------------------|---------------------|
| WD1 | 13.5W | 3000K-1800K / 92 CRI | 700lm |
| WD2 | 16.5W | 3000K-1800K / 92 CRI | 850lm |

* System wattage includes driver and LED module consumption.

** Delivered lumens will vary depending on trim, CCT, CRI, optic and ceiling thickness

FEATURES

- Halogen style profile that warms as it dims
- 3000K at full intensity to 1800K at lowest dim level
- Field changeable optics: 24°, 30°, 45°

LED LIGHT ENGINE

- 3000K to 1800K programmable tuning at 92 CRI
- 50,000 hours L70 (rated life at 70% output)

ELECTRICAL SYSTEM

- Multiple dimming drivers available
- 120V or 277V input; Power factor >.9, 50/60Hz
- This product complies with IEEE C62.41 for surge endurance up to 2.5KV. Additional surge protection recommended. Damage from power surge is not covered by warranty.

DIMMING

- Forward/reverse phase dimming 1% (120V only)
- 0-10V Dimming 1%
- EldoLED 0-10V 0.1% or 1%
- Lutron® LDE1 Hi-Lume 1% EcoSystem LED driver with Soft-on, Fade-to-Black dimming technology
- Lutron® LTEA2W Hi-Lume 1% 2-wire LED driver (120V forward phase only)
- DMX512 RDM 0.1%

HOUSING

- Heavy duty black powder coated 18 gauge steel frame
- Standard housing accommodates 5/8" ceiling thickness
- Extended collar options available for ceilings up to 1" or 2" thick, must specify either EC1 or EC2

TRIM SPECIFICATION

- Locking 35° vertical and 360° horizontal adjustment (1/2" regressed trims only). 90° turns with 1" regressed trims
- High quality A380 aluminum die-cast trims
- Discrete self flange or painted white flange options
- Trim is available with solite, clear tempered or frosted lens, must specify.

INSTALLATION

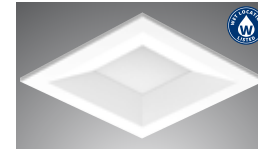
- Housing types include Non-IC and IC Air-Tight must specify
- Non-IC rated housings must be kept at a minimum of 3" away from insulation
- Butterfly brackets are compatible with C-channel, adjustable bar hangers (14"-25") and EMT
- C-channel is recommended for T-bar ceilings
- Bar hangers must be ordered separately
- Max. ambient temperature: 131°F (55°C)

EMERGENCY BACKUP

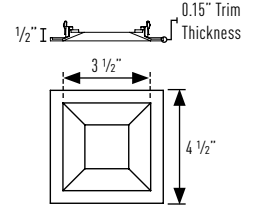
- Remote test switch included
- External battery operates LED load at a minimum of 350lm to 600lm for 90 minutes, depending on backup wattage selected
- See trim multipliers for detailed performance
- Servicing requires above ceiling access

LISTING / WARRANTY

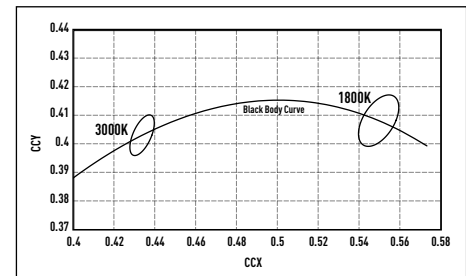
- 5-Year Intense LED Limited Warranty
- ETL listed to US and Canadian standards for wet locations
- (-IC Only) Air-Tight Certified ASTM E283
- (-IC Only) ETL listed for direct contact w/insulation
- Can be used to comply with Title 24, Part 6, JA8 high efficacy LED light source requirements ⁵



MXG2-STR302
(1/2" Regress)



Available Trim Finishes



Housing Part Number (Example: MXG2ASTR-NCWD10IM)

| Housing | Installation Type | Ceiling Thickness | Wattage | Dimming | Voltage | Options |
|----------|--------------------|-------------------|-------------|--|------------------------|--|
| MXG2ASTR | -NC (Non-IC) | blank (5/8") | WD1 (13.5W) | DIM ¹ (Phase Dimming) | blank (-NC: 120V Only | I100 (C-Channel Bar Hangers) |
| | -IC (Air-Tight IC) | EC1 (1") | WD2 (16.5W) | D101 (0-10V Dimming 1%) | -IC: UNV 120V-277V) | I200 (Flat Bar Hangers) |
| | | EC2 (2") | | ED10V1 (eldoLED 0-10V 1%) | 27 (277V For -NC Only) | I400 (Wood Joist Bar Hangers) |
| | | | | ED10V01 (eldoLED 0-10V 0.1%) | | EM7 ³ (7W Emergency Backup IOTA Part #ILB-CP07-A) |
| | | | | LUT (Lutron® LDE1 EcoSystem 1%) | | EM12 ³ (12W Emergency Backup IOTA Part #ILB-CP12-A) |
| | | | | LUT2 ¹ (Lutron® LTEA2W 2-Wire 1%) | | |
| | | | | DMXR ² (DMX512 RDM 0.1%) | | |

Trim Part Number (Example: MXTG2-STR302W-SFWD1NF-SL)

| Trim | Finish | Wattage | Optic | Lens |
|--|---|-------------|-----------------------|----------------------------|
| MXTG2-STR302 (1/2" Regress) | B-SF (Black / Self Flanged) | WD1 (13.5W) | NF (24° Narrow Flood) | -SL ⁵ (Solite) |
| | B-SFW (Black / Self Flanged White) | WD2 (16.5W) | FL (30° Flood) | -CR (Clear Tempered) |
| | W-SF (White / Self Flanged) | | WF (45° Wide Flood) | -FR ⁵ (Frosted) |
| | SN-SF (Satin Nickel / Self Flanged) | | | |
| | SN-SFW ⁴ (Satin Nickel / Self Flanged White) | | | |
| | AB-SF (Antique Bronze / Self Flanged) | | | |
| | AB-SFW ⁴ (Antique Bronze / Self Flanged White) | | | |
| | WH-SF (Wheat / Self Flanged) | | | |
| WH-SFW ⁴ (Wheat / Self Flanged White) | | | | |

Notes:

- Available in 120V only
- Not available with WD1
- Access above ceiling required
- Consult factory for lead times
- Solite and frosted lens can not be used to comply with Title 24, Part 6, JA8 high efficacy LED light source requirements. Clear lens only.

MX DOWNLIGHTING LJM: 20200624 P-28

INTENSE LIGHTING | 3340 E La Palma Ave, Anaheim, CA 92806 | tel 714 630-9877 | fax 714 630-9883

For Intense Lighting's limited product warranty, go to www.intenselighting.com. For a printed copy of the warranty, you may call 800 961-5321.

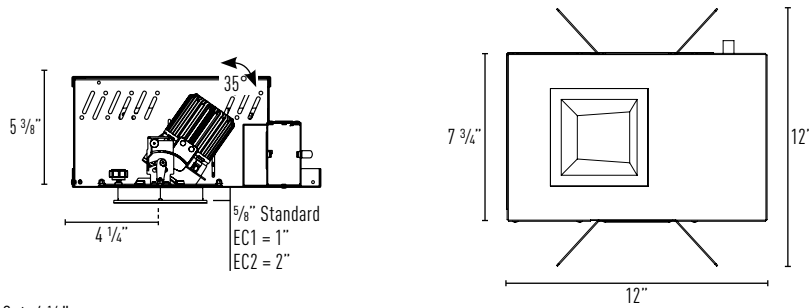
© 2020 Intense Lighting, LLC. All rights reserved. Note: This document is subject to change without notice.

MXG2ASTR

3.5" MX G2 LED Warm Dim Square Lensed Adjustable - Wet Location

| | | | |
|-----------------|--|-----------------------|--|
| JOB NAME | | CATALOG NUMBER | |
| NOTES | | TYPE | |

NON-IC & AIR TIGHT IC DIMENSIONS



Ceiling Cut Out: 4 1/8"

Plaster Frame Accommodation

| Collar Type | Standard | EC1 | EC2 |
|------------------------------|------------|----------|----------|
| Max Ceiling Thickness | Up-to 5/8" | Up-to 1" | Up-to 2" |

Fixture Aiming - Horizontal Adjustment

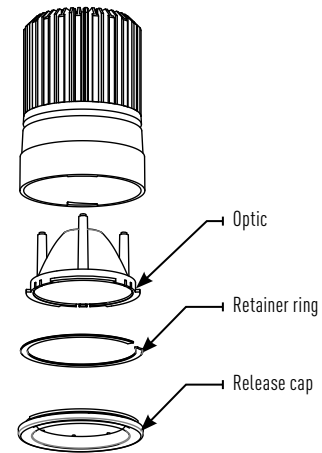
| | | | |
|---------------------------|-----------|-----------|-----------|
| 1/2" Regress Trims | Full 360° | Full 360° | Full 360° |
|---------------------------|-----------|-----------|-----------|

OPTICS REPLACEMENT

1. Rotate release cap by turning counter clockwise.
2. Install accessories into accessory holder and replace accessory holder's retaining clip.
3. Place accessory holder and accessory flush against optic and replace release cap.

Optics

- IP-OP4724** (24° Narrow Flood)
- IP-OP4736** (30° Flood)
- IP-OP4750** (45° Wide Flood)



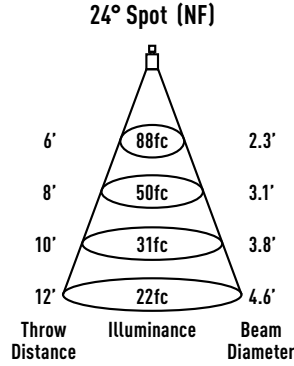
| | | | |
|----------|--|----------------|--|
| JOB NAME | | CATALOG NUMBER | |
| NOTES | | TYPE | |

MXTG2-STRR302WWD1-CR

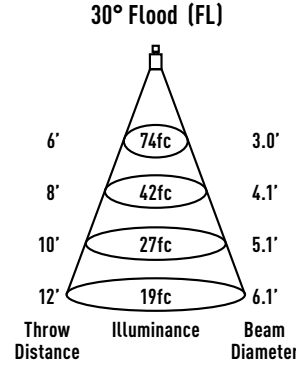
REPORT #:
 ILL20181001-14.001 (24)
 ILL20181001-22.001 (30)
 ILL20181001-30.001 (45)

TRIM MULTIPLIERS:
 MXTG2-STRR302 (x 1.00)

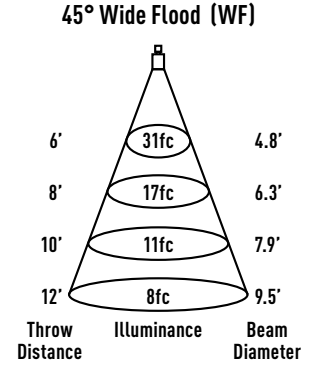
LENS MULTIPLIERS:
 Solite (x 0.92)
 Clear (x 1.00)
 Frosted (x 0.92)



Watts: 13.5
 Lumens: 507
 LPW: 38
 CCT: 3000K



Watts: 13.5
 Lumens: 737
 LPW: 55
 CCT: 3000K



Watts: 13.5
 Lumens: 630
 LPW: 47
 CCT: 3000K

| Intensity | |
|-----------|---------|
| Degree | Candela |
| 0° | 3171 |
| 5° | 2753 |
| 15° | 670 |
| 25° | 49 |
| 35° | 7 |
| 45° | 4 |

| Intensity | |
|-----------|---------|
| Degree | Candela |
| 0° | 2658 |
| 5° | 2506 |
| 15° | 1224 |
| 25° | 266 |
| 35° | 35 |
| 45° | 5 |

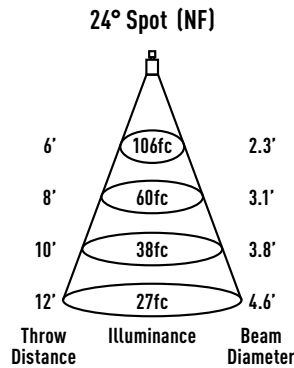
| Intensity | |
|-----------|---------|
| Degree | Candela |
| 0° | 1106 |
| 5° | 1081 |
| 15° | 854 |
| 25° | 406 |
| 35° | 121 |
| 45° | 13 |

MXTG2-STRR302WWD2-CR

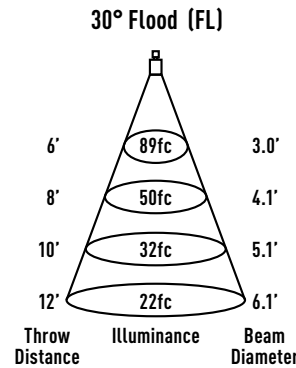
REPORT #:
 ILL20181001-14.002 (24)
 ILL20181001-22.002 (30)
 ILL20181001-30.002 (45)

TRIM MULTIPLIERS:
 MXTG2-STRR302 (x 1.00)

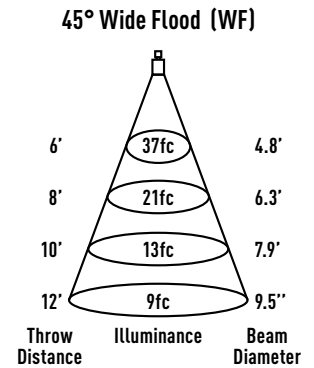
LENS MULTIPLIERS:
 Solite (x 0.92)
 Clear (x 1.00)
 Frosted (x 0.92)



Watts: 16.4
 Lumens: 611
 LPW: 37
 CCT: 3000K



Watts: 16.4
 Lumens: 888
 LPW: 54
 CCT: 3000K



Watts: 16.4
 Lumens: 760
 LPW: 46
 CCT: 3000K

| Intensity | |
|-----------|---------|
| Degree | Candela |
| 0° | 3821 |
| 5° | 3316 |
| 15° | 807 |
| 25° | 59 |
| 35° | 8 |
| 45° | 4 |

| Intensity | |
|-----------|---------|
| Degree | Candela |
| 0° | 3202 |
| 5° | 3019 |
| 15° | 1475 |
| 25° | 321 |
| 35° | 43 |
| 45° | 6 |

| Intensity | |
|-----------|---------|
| Degree | Candela |
| 0° | 1332 |
| 5° | 1302 |
| 15° | 1029 |
| 25° | 489 |
| 35° | 145 |
| 45° | 16 |