

MXG2ASTR

3.5" MX G2 LED Warm Dim Square Lensed Adjustable Non-Conductive - Wet Location

| | | | |
|-----------------|--|-----------------------|--|
| JOB NAME | | CATALOG NUMBER | |
| NOTES | | TYPE | |

ELECTRICAL DATA

| LED Light Engine | System Wattage * | CCT / CRI | Delivered Lumens ** |
|------------------|------------------|----------------------|---------------------|
| WD1 | 13.5W | 3000K-1800K / 92 CRI | 700lm |
| WD2 | 16.5W | 3000K-1800K / 92 CRI | 850lm |

* System Wattage includes driver and LED Module consumption.

** Delivered lumens will vary depending on trim, CCT, CRI, optic and ceiling thickness

FEATURES

- Halogen style profile that warms as it dims
- 3000K at full intensity to 1800K at lowest dim level
- Field changeable optics: 24°, 30°, 45°

LED LIGHT ENGINE

- 3000K to 1800K programmable tuning at 92 CRI
- 50,000 hours L70 (rated life at 70% output)

ELECTRICAL SYSTEM

- Multiple dimming drivers available
- 120V or 277V input; Power factor >.9, 50/60Hz
- This product complies with IEEE C62.41 for surge endurance up to 2.5KV. Additional surge protection recommended. Damage from power surge is not covered by warranty.

DIMMING

- Forward/reverse phase dimming 1% (120V only)
- 0-10V Dimming 1%
- eldoLED 0-10V 0.1% or 1%
- Lutron® LDE1 Hi-Lume 1% EcoSystem LED driver with Soft-on, Fade-to-Black dimming technology
- Lutron® LTEA2W Hi-Lume 1% 2-wire LED driver (120V forward phase only)
- DMX512 RDM 0.1%

HOUSING

- Heavy duty black powder coated 18 gauge steel frame
- Standard housing accommodates 5/8" ceiling thickness
- Extended collar options available for ceilings up to 1" or 2" thick, must specify either EC1 or EC2

TRIM SPECIFICATION

- Non-reactive trim made of heavy duty injection molded polymer
- Trim is available with solite, clear tempered or frosted lens, must specify.

INSTALLATION

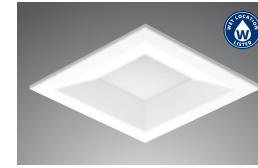
- Housing types include Non-IC and IC Air-Tight, must specify
- Non-IC rated housings must be kept at a minimum of 3" away from insulation
- Butterfly brackets are compatible with C-channel, adjustable bar hangers (14"-25") and EMT
- C-channel is recommended for T-bar ceilings
- Bar hangers must be ordered separately
- Max. ambient temperature: 131°F (55°C)

EMERGENCY BACKUP

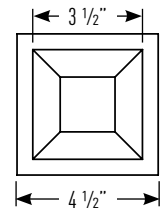
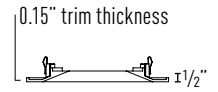
- Remote test switch included
- External battery operates LED load at a minimum of 350lm to 600lm for 90 minutes, depending on backup wattage selected
- Servicing requires above ceiling access

LISTING / WARRANTY

- 5-Year Intense LED Limited Warranty
- ETL listed to US and Canadian standards for wet locations
- (-IC Only) Air-Tight Certified ASTM E283
- (-IC Only) ETL listed for direct contact w/insulation
- Can be used to comply with Title 24, Part 6, JA8 high efficacy LED light source requirements 4

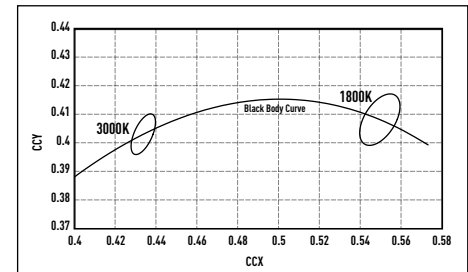


MXG2-SNRR302
(1/2" Regress)



Available Trim Finishes

White



Housing Part Number (Example: MXG2ASTR-NCWD1DIM)

| Housing | Installation Type | Ceiling Thickness | Wattage | Dimming | Voltage | Options |
|----------|--------------------|----------------------|-------------|--|--|--|
| MXG2ASTR | -NC (Non-IC) | blank (5/8") | WD1 (13.5W) | DIM ¹ (Phase Dimming) | blank (-NC: 120V Only -IC: UNV 120V-277V) 27 (277V For -NC Only) | I100 (C-Channel Bar Hangers) I200 (Flat Bar Hangers) I400 (Wood Joist Bar Hangers) EM7 ³ (7W Emergency Backup IOTA Part #ILB-CP07-A) EM12 ³ (12W Emergency Backup IOTA Part #ILB-CP12-A) |
| | -IC (Air-Tight IC) | EC1 (1") EC2 (2") | WD2 (16.5W) | D101 (0-10V Dimming 1%) ED10V1 (eldoLED 0-10V 1%) ED10V01 (eldoLED 0-10V 0.1%) LUT (Lutron® LDE1 EcoSystem 1%) LUT2 ¹ (Lutron® LTEA2W 2-Wire 1%) DMXR ² (DMX512 RDM 0.1%) | | |

Trim Part Number (Example: MXTG2-SNRR302WWD1NF-SL)

| Trim | Finish | Wattage | Optic | Lens |
|---|-----------------------------|-------------|-----------------------|----------------------------|
| MXTG2-SNRR302 (1/2" Regress with Lens) | W (White Non-Conductive) | WD1 (13.5W) | NF (24° Narrow Flood) | -SL ⁴ (Solite) |
| | | WD2 (16.5W) | FL (30° Flood) | -CR (Clear Tempered) |
| | | | WF (45° Wide Flood) | -FR ⁴ (Frosted) |

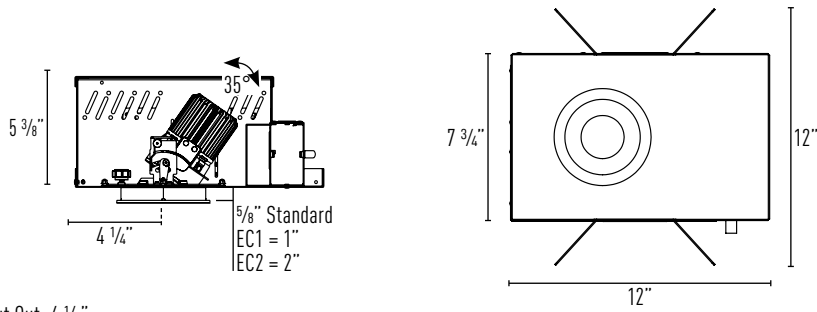
Notes:

- Available in 120V only
- Not available with WD1
- Access above ceiling required
- Solite and frosted lens can not be used to comply with Title 24, Part 6, JA8 high efficacy LED light source requirements. Clear lens only.

MXG2ASTR

3.5" MX G2 LED Warm Dim Square Lensed Adjustable Non-Conductive - Wet Location

| JOB NAME | CATALOG NUMBER |
|----------|----------------|
| | |
| NOTES | TYPE |
| | |



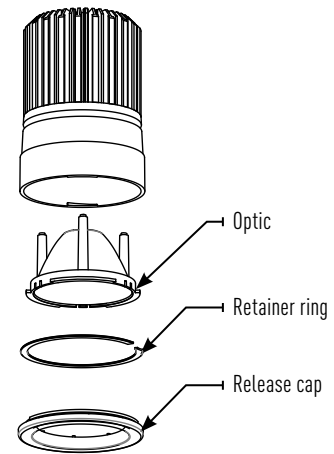
Ceiling Cut Out: 4 1/8"

OPTICS REPLACEMENT

1. Rotate release cap by turning counter clockwise.
2. Install accessories into accessory holder and replace accessory holder's retaining clip.
3. Place accessory holder and accessory flush against optic and replace release cap.

Optics

- IP-OP4724 (24° Narrow Flood)
- IP-OP4736 (30° Flood)
- IP-OP4750 (45° Wide Flood)

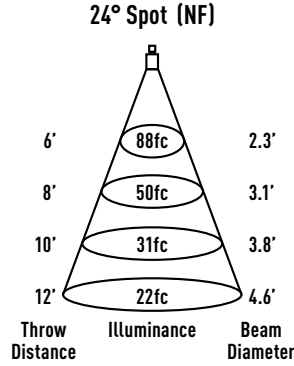


| | | | |
|----------|--|----------------|--|
| JOB NAME | | CATALOG NUMBER | |
| NOTES | | TYPE | |

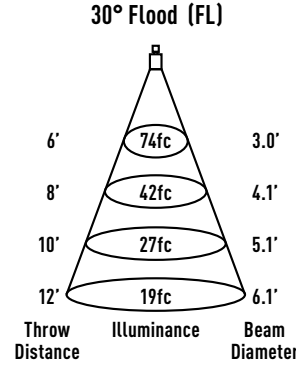
MXTG2-SNRR302WWD1-CR

REPORT #:
 ILL20181001-14.001 (24)
 ILL20181001-22.001 (30)
 ILL20181001-30.001 (45)

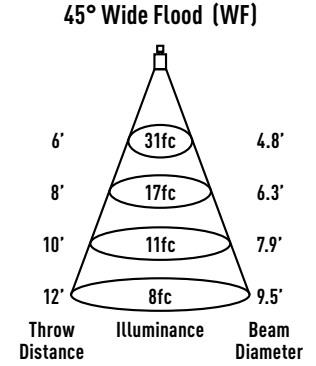
LENS MULTIPLIERS:
 Solite (x 0.92)
 Clear (x 1.00)
 Frosted (x 0.92)



Watts: 13.5
 Lumens: 507
 LPW: 38
 CCT: 3000K



Watts: 13.5
 Lumens: 737
 LPW: 55
 CCT: 3000K



Watts: 13.5
 Lumens: 630
 LPW: 47
 CCT: 3000K

| Intensity | |
|-----------|---------|
| Degree | Candela |
| 0° | 3171 |
| 5° | 2753 |
| 15° | 670 |
| 25° | 49 |
| 35° | 7 |
| 45° | 4 |

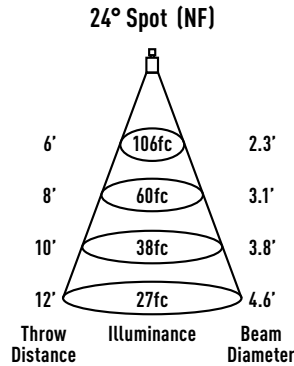
| Intensity | |
|-----------|---------|
| Degree | Candela |
| 0° | 2658 |
| 5° | 2506 |
| 15° | 1224 |
| 25° | 266 |
| 35° | 35 |
| 45° | 5 |

| Intensity | |
|-----------|---------|
| Degree | Candela |
| 0° | 1106 |
| 5° | 1081 |
| 15° | 854 |
| 25° | 406 |
| 35° | 121 |
| 45° | 13 |

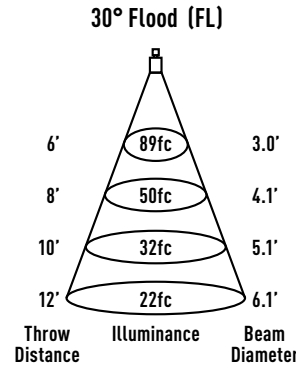
MXTG2-SNRR302WWD2-CR

REPORT #:
 ILL20181001-14.002 (24)
 ILL20181001-22.002 (30)
 ILL20181001-30.002 (45)

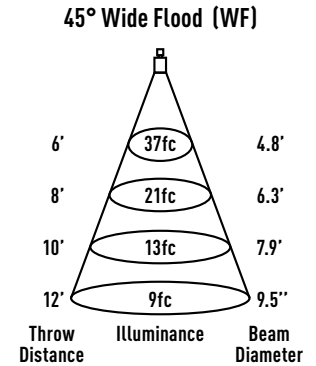
LENS MULTIPLIERS:
 Solite (x 0.92)
 Clear (x 1.00)
 Frosted (x 0.92)



Watts: 16.4
 Lumens: 611
 LPW: 37
 CCT: 3000K



Watts: 16.4
 Lumens: 888
 LPW: 54
 CCT: 3000K



Watts: 16.4
 Lumens: 760
 LPW: 46
 CCT: 3000K

| Intensity | |
|-----------|---------|
| Degree | Candela |
| 0° | 3821 |
| 5° | 3316 |
| 15° | 807 |
| 25° | 59 |
| 35° | 8 |
| 45° | 4 |

| Intensity | |
|-----------|---------|
| Degree | Candela |
| 0° | 3202 |
| 5° | 3019 |
| 15° | 1475 |
| 25° | 321 |
| 35° | 43 |
| 45° | 6 |

| Intensity | |
|-----------|---------|
| Degree | Candela |
| 0° | 1332 |
| 5° | 1302 |
| 15° | 1029 |
| 25° | 489 |
| 35° | 145 |
| 45° | 16 |