

MXG2DSTR

3.5" MX G2 LED Warm Dim Square Lensed Downlight Non-Conductive - Wet Location

JOB NAME		CATALOG NUMBER	
NOTES		TYPE	

ELECTRICAL DATA

LED Light Engine	System Wattage *	CCT / CRI	Delivered Lumens **
WD1	13.5W	3000K-1800K / 92 CRI	700lm
WD2	16.5W	3000K-1800K / 92 CRI	850lm

* System Wattage includes driver and LED Module consumption.

** Delivered lumens will vary depending on trim, CCT, CRI, optic and ceiling thickness

FEATURES

- Halogen style profile that warms as it dims
- 3000K at full intensity to 1800K at lowest dim level
- Field changeable optics: 24°, 30°, 45°

LED LIGHT ENGINE

- 3000K to 1800K programmable tuning at 92 CRI
- 50,000 hours L70 (rated life at 70% output)

ELECTRICAL SYSTEM

- Multiple dimming drivers available
- 120V or 277V input; Power factor >.9, 50/60Hz
- This product complies with IEEE C62.41 for surge endurance up to 2.5KV. Additional surge protection recommended. Damage from power surge is not covered by warranty.

DIMMING

- Forward/reverse phase dimming 1% (120V only)
- 0-10V Dimming 1%
- EldoLED 0-10V 0.1% or 1%
- Lutron® LDE1 Hi-Lume 1% EcoSystem LED driver with Soft-on, Fade-to-Black dimming technology
- Lutron® LTEA2W Hi-Lume 1% 2-wire LED driver (120V forward phase only)
- DMX512 RDM 0.1%

HOUSING

- Heavy duty black powder coated 18 gauge steel frame
- Standard housing accommodates 5/8" ceiling thickness
- Extended collar options available for ceilings up to 1" or 2" thick, must specify either EC1 or EC2

TRIM SPECIFICATION

- Non-reactive trim made of heavy duty injection molded polymer
- Trim is available with solite, clear tempered or frosted lens, must specify.

INSTALLATION

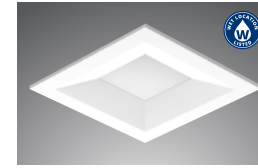
- Housing types include Non-IC, IC Air-Tight and CCEA (Chicago Plenum), must specify
- Non-IC rated housings must be kept at a minimum of 3" away from insulation
- Butterfly brackets are compatible with C-channel, adjustable bar hangers (14"-25") and EMT
- C-channel is recommended for T-bar ceilings
- Bar hangers must be ordered separately
- Max. ambient temperature: 131°F (55°C)

EMERGENCY BACKUP

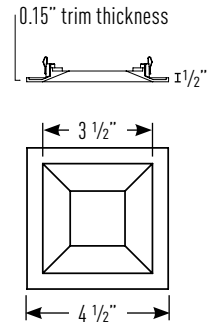
- Remote test switch included
- External battery operates LED load at a minimum of 350lm to 600lm for 90 minutes, depending on backup wattage selected
- Servicing requires above ceiling access

LISTING / WARRANTY

- 5-Year Intense LED Limited Warranty
- ETL listed to US and Canadian standards for wet locations
- (-IC/CP Only) Air-Tight Certified ASTM E283
- (-IC/CP Only) ETL listed for direct contact w/insulation
- (-CP Only) CCEA Chicago Plenum
- Can be used to comply with Title 24, Part 6, JA8 high efficacy LED light source requirements ⁴

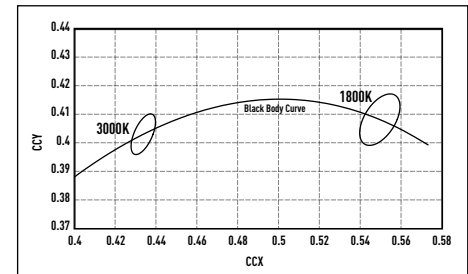


MXTG2-SNRR302
(1/2" Regress)



Available Trim Finishes

White



Housing Part Number (Example: MXG2DSTR-NCWD1DIM)

Housing	Installation Type	Ceiling Thickness	Wattage	Dimming	Voltage	Options
MXG2DSTR	-NC (Non-IC)	blank (5/8")	WD1 (13.5W)	DIM ¹ (Phase Dimming)	blank (-NC: 120V Only -IC/-CP: UNV 120V-277V) 27 (277V For -NC Only)	I100 (C-Channel Bar Hangers)
	-IC (Air-Tight IC)	EC1 (1")	WD2 (16.5W)	D101 (0-10V Dimming 1%)		I200 (Flat Bar Hangers)
	-CP (Chicago Plenum)	EC2 (2")	ED10V1 (eldoLED 0-10V 1%)	ED10V01 (eldoLED 0-10V 0.1%)		I400 (Wood Joist Bar Hangers)
			LUT (Lutron® LDE1 EcoSystem 1%)	LUT2 ¹ (Lutron® LTEA2W 2-Wire 1%)		EM7 ³ (7W Emergency Backup IOTA Part #ILB-CP07-A)
			DMXR ² (DMX512 RDM 0.1%)			EM12 ³ (12W Emergency Backup IOTA Part #ILB-CP12-A)

Trim Part Number (Example: MXTG2-SNRR302WWD1NF-SL)

Trim	Finish	Wattage	Optic	Lens
MXTG2-SNRR302 (1/2" Regress with Lens)	W (White Non-Conductive)	WD1 (13.5W)	NF (24° Narrow Flood)	-SL ⁴ (Solite)
		WD2 (16.5W)	FL (30° Flood)	-CR (Clear Tempered)
				WF (45° Wide Flood)

Notes:

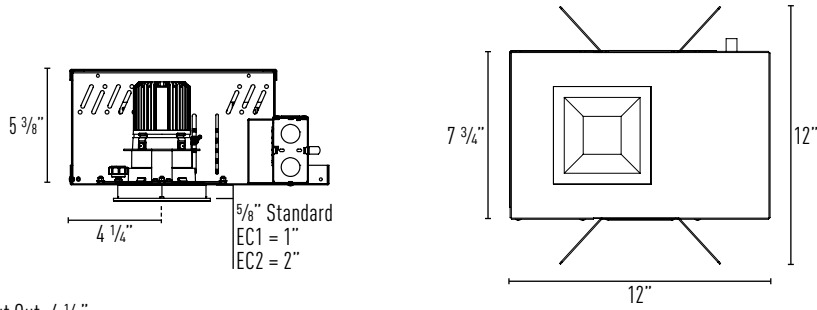
- Available in 120V only
- Not available with WD1
- Access above ceiling required
- Solite and frosted lens can not be used to comply with Title 24, Part 6, JA8 high efficacy LED light source requirements. Clear lens only.

MXG2DSTR

3.5" MX G2 LED Warm Dim Square Lensed Downlight Non-Conductive - Wet Location

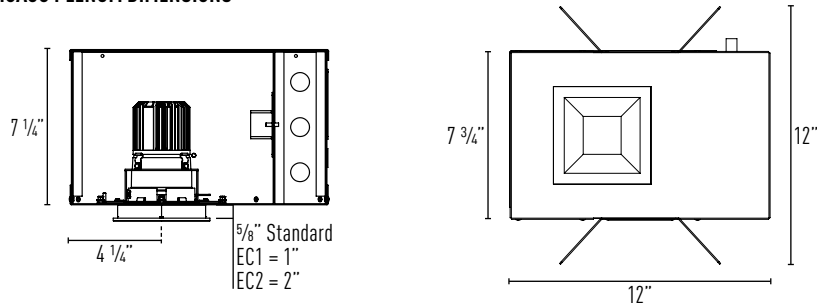
JOB NAME		CATALOG NUMBER	
NOTES		TYPE	

NON-IC & AIR TIGHT IC DIMENSIONS



Ceiling Cut Out: 4 1/8"

CCEA CHICAGO PLENUM DIMENSIONS



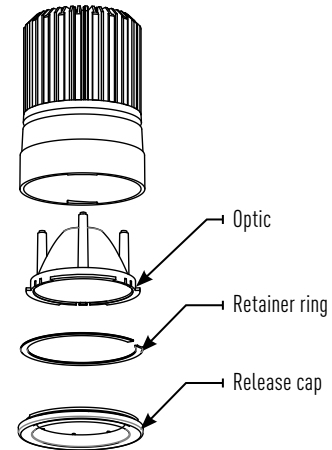
Ceiling Cut Out: 4 1/8"

OPTICS REPLACEMENT

1. Rotate release cap by turning counter clockwise.
2. Install accessories into accessory holder and replace accessory holder's retaining clip.
3. Place accessory holder and accessory flush against optic and replace release cap.

Optics

- IP-OP4724 (24° Narrow Flood)
- IP-OP4736 (30° Flood)
- IP-OP4750 (45° Wide Flood)

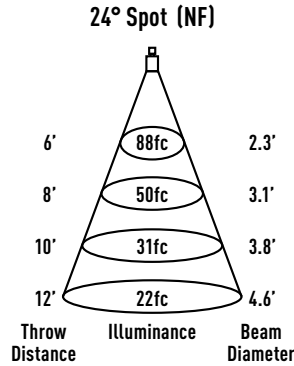


JOB NAME		CATALOG NUMBER	
NOTES		TYPE	

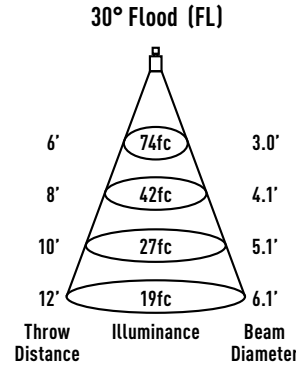
MXTG2-SNRR302WWD1-CR

REPORT #:
 ILL20181001-14.001 (24)
 ILL20181001-22.001 (30)
 ILL20181001-30.001 (45)

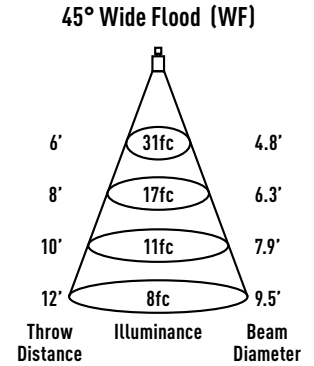
LENS MULTIPLIERS:
 Solite (x 0.92)
 Clear (x 1.00)
 Frosted (x 0.92)



Watts: 13.5
Lumens: 507
LPW: 38
CCT: 3000K



Watts: 13.5
Lumens: 737
LPW: 55
CCT: 3000K



Watts: 13.5
Lumens: 630
LPW: 47
CCT: 3000K

Intensity	
Degree	Candela
0°	3171
5°	2753
15°	670
25°	49
35°	7
45°	4

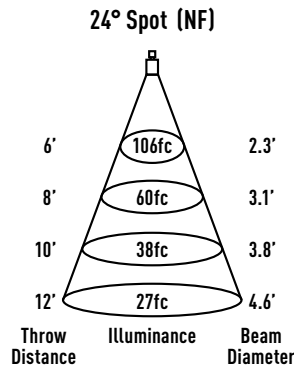
Intensity	
Degree	Candela
0°	2658
5°	2506
15°	1224
25°	266
35°	35
45°	5

Intensity	
Degree	Candela
0°	1106
5°	1081
15°	854
25°	406
35°	121
45°	13

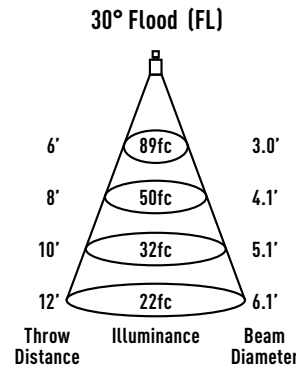
MXTG2-SNRR302WL2-CR

REPORT #:
 ILL20181001-14.002 (24)
 ILL20181001-22.002 (30)
 ILL20181001-30.002 (45)

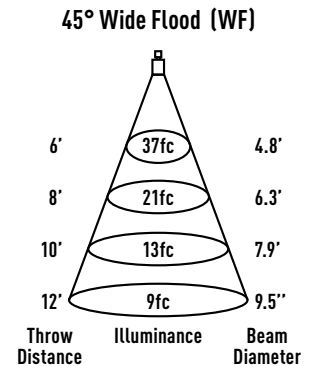
LENS MULTIPLIERS:
 Solite (x 0.92)
 Clear (x 1.00)
 Frosted (x 0.92)



Watts: 16.4
Lumens: 611
LPW: 37
CCT: 3000K



Watts: 16.4
Lumens: 888
LPW: 54
CCT: 3000K



Watts: 16.4
Lumens: 760
LPW: 46
CCT: 3000K

Intensity	
Degree	Candela
0°	3821
5°	3316
15°	807
25°	59
35°	8
45°	4

Intensity	
Degree	Candela
0°	3202
5°	3019
15°	1475
25°	321
35°	43
45°	6

Intensity	
Degree	Candela
0°	1332
5°	1302
15°	1029
25°	489
35°	145
45°	16