

MXG2ASTR

3.5" MX G2 LED Warm Dim Square Lensed Pinhole - Wet Location

ELECTRICAL DATA

LED Light Engine	System Wattage *	CCT / CRI	Delivered Lumens **
WD1	13.5W	3000K-1800K / 92 CRI	750lm
WD2	16.5W	3000K-1800K / 92 CRI	900lm

* System wattage includes driver and LED module consumption.

** Delivered lumens will vary depending on trim, CCT, CRI, optic and ceiling thickness

FEATURES

- Halogen style profile that warms as it dims
- 3000K at full intensity to 1800K at lowest dim level
- Multiple architectural trim options available
- Field changeable optics: 24°, 30°, 45°

LED LIGHT ENGINE

- 3000K to 1800K programmable tuning at 92 CRI
- 50,000 hours L70 (rated life at 70% output)

ELECTRICAL SYSTEM

- Multiple dimming drivers available
- 120V or 277V input; Power factor >.9, 50/60Hz
- This product complies with IEEE C62.41 for surge endurance up to 2.5KV. Additional surge protection recommended. Damage from power surge is not covered by warranty.

DIMMING

- Forward/reverse phase dimming 1% (120V only)
- 0-10V Dimming 1%
- EldoLED 0-10V 0.1% or 1%
- Lutron® LDE1 Hi-Lume 1% EcoSystem LED driver with Soft-on, Fade-to-Black dimming technology
- Lutron® LTEA2W Hi-Lume 1% 2-wire LED driver (120V forward phase only)
- DMX512 RDM 0.1%

HOUSING

- Heavy duty black powder coated 18 gauge steel frame
- Standard housing accommodates 5/8" ceiling thickness
- Extended collar options available for ceilings up to 1" or 2" thick, must specify either EC1 or EC2

TRIM SPECIFICATION

- Locking 35° vertical and 360° horizontal adjustment (1/2" regress trims only).
- High quality A380 aluminum die-cast trims
- Discrete self flange or painted white flange options
- Trim is available with solite, clear tempered or frosted lens, must specify.

INSTALLATION

- Housing types include Non-IC and IC Air-Tight must specify
- Non-IC rated housings must be kept at a minimum of 3" away from insulation
- Butterfly brackets are compatible with C-channel, adjustable bar hangers (14"-25") and EMT
- C-channel is recommended for T-bar ceilings
- Bar hangers must be ordered separately
- Max. ambient temperature: 131°F (55°C)

EMERGENCY BACKUP

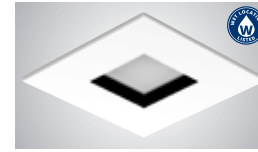
- Remote test switch included
- External battery operates LED load at a minimum of 300lm to 525lm for 90 minutes, depending on backup wattage selected
- Servicing requires above ceiling access

LISTING / WARRANTY

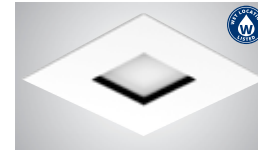
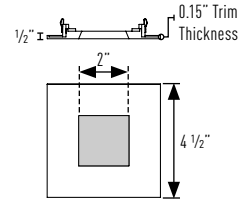
- 5-Year Intense LED Limited Warranty
- ETL listed to US and Canadian standards for wet locations
- (-IC Only) Air-Tight Certified ASTM E283
- (-IC Only) ETL listed for direct contact w/insulation
- Can be used to comply with Title 24, Part 6, JA8 high efficacy LED light source requirements 4



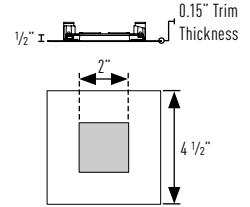
JOB NAME	CATALOG NUMBER
NOTES	TYPE



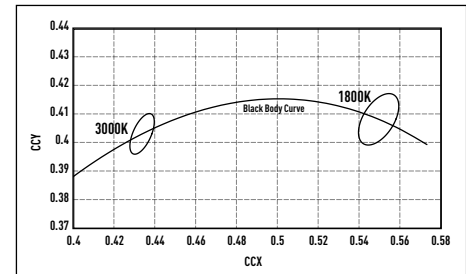
MXTG2-STRR308
(1/2" Regress with Lens)



MXTG2-SFRR308
(1/2" Flat Mount with Lens)



Available Trim Finishes



Housing Part Number (Example: MXG2ASTR-NCWD1DIM)

Housing	Installation Type	Ceiling Thickness	Wattage	Dimming	Voltage	Options
MXG2ASTR	-NC (Non-IC)	blank (5/8")	WD1 (13.5W)	DIM ¹ (Phase Dimming)	blank (-NC: 120V Only)	I100 (C-Channel Bar Hangers) I200 (Flat Bar Hangers) I400 (Wood Joist Bar Hangers) EM7³ (7W Emergency Backup IOTA Part #ILB-CP07-A) EM12³ (12W Emergency Backup IOTA Part #ILB-CP12-A)
	-IC (Air-Tight IC)	EC1 (1")	WD2 (16.5W)	D101 (0-10V Dimming 1%)	27 (277V For -NC Only)	
		EC2 (2")	ED10V1 (eldoLED 0-10V 1%)	ED10V01 (eldoLED 0-10V 0.1%)		
				LUT (Lutron® LDE1 EcoSystem 1%)		
				LUT2 ¹ (Lutron® LTEA2W 2-Wire 1%)		
				DMXR ² (DMX512 RDM 0.1%)		

Trim Part Number (Example: MXTG2-STRR308WWD1NF-SL)

Trim	Finish	Wattage	Optic	Lens
MXTG2-STRR308 (1/2" Regress)	B (Black)	WD1 (13.5W)	NF (24° Narrow Flood)	-SL ⁴ (Solite)
	W (White)	WD2 (16.5W)	FL (30° Flood)	-CR (Clear Tempered)
MXTG2-SFRR308 (1/2" Flat Mount)	SN (Satin Nickel)		WF (45° Wide Flood)	-FR ⁴ (Frosted)
	AB (Antique Bronze)			
	WH (Wheat)			

Notes:

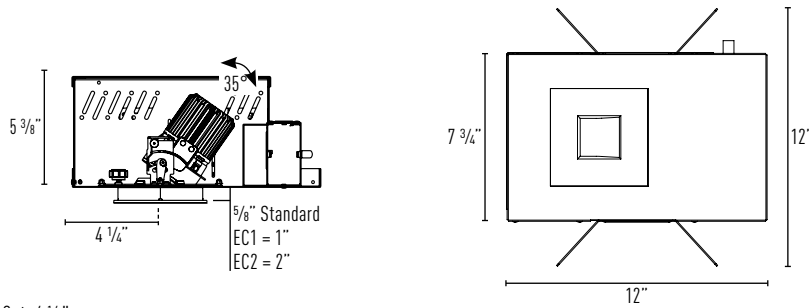
- Available in 120V only
- Not available with WD1
- Access above ceiling required
- Solite and frosted lens can not be used to comply with Title 24, Part 6, JA8 high efficacy LED light source requirements. Clear lens only.

MXG2ASTR

3.5" MX G2 LED Warm Dim Square Lensed Pinhole - Wet Location

JOB NAME		CATALOG NUMBER	
NOTES		TYPE	

NON-IC & AIR TIGHT IC DIMENSIONS



Ceiling Cut Out: 4 1/8"

Plaster Frame Accommodation

Collar Type	Standard	EC1	EC2
Max Ceiling Thickness	Up-to 5/8"	Up-to 1"	Up-to 2"

Fixture Aiming - Horizontal Adjustment

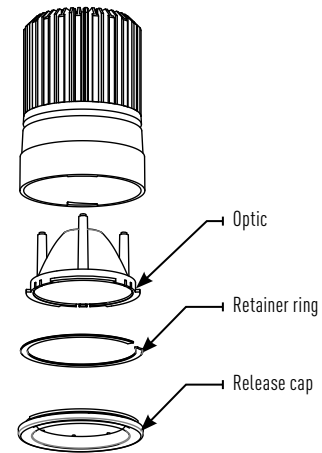
1/2" Regress Trims	Full 360°	Full 360°	Full 360°
---------------------------	-----------	-----------	-----------

OPTICS REPLACEMENT

1. Rotate release cap by turning counter clockwise.
2. Install accessories into accessory holder and replace accessory holder's retaining clip.
3. Place accessory holder and accessory flush against optic and replace release cap.

Optics

- IP-OP4724** (24° Narrow Flood)
- IP-OP4736** (30° Flood)
- IP-OP4750** (45° Wide Flood)



JOB NAME		CATALOG NUMBER	
NOTES		TYPE	

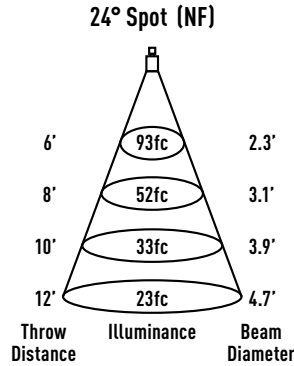
MXTG2-STRR308WWD1

REPORT #:

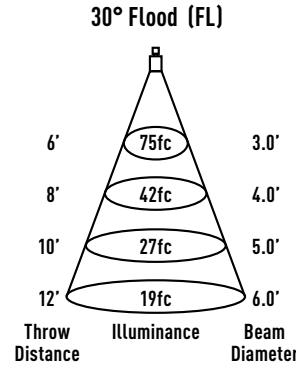
ILL20181001-16.001 (24)
ILL20181001-24.001 (30)
ILL20181001-32.001 (45)

TRIM MULTIPLIERS:

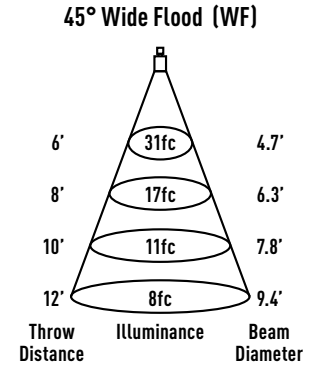
MXTG2-STRD306 (x 1.00)
MXTG2-STRR306 (x 1.00)



Watts: 13.5
Lumens: 522
LPW: 39
CCT: 3000K



Watts: 13.5
Lumens: 736
LPW: 55
CCT: 3000K



Watts: 13.5
Lumens: 607
LPW: 45
CCT: 3000K

Intensity	
Degree	Candela
0°	3331
5°	2897
15°	686
25°	38
35°	5
45°	3

Intensity	
Degree	Candela
0°	2700
5°	2542
15°	1231
25°	254
35°	33
45°	3

Intensity	
Degree	Candela
0°	1114
5°	1089
15°	858
25°	391
35°	97
45°	4

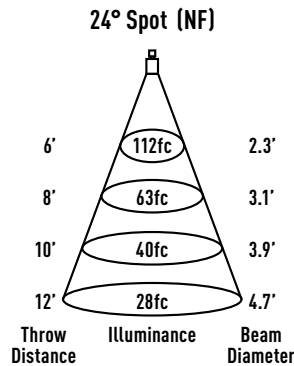
MXTG2-STRR308WWD2

REPORT #:

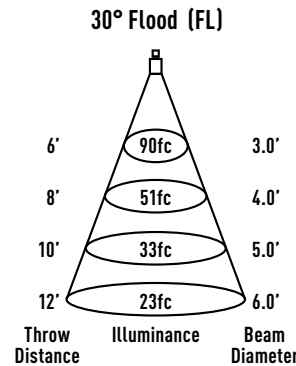
ILL20181001-16.002 (24)
ILL20181001-24.002 (30)
ILL20181001-32.002 (45)

TRIM MULTIPLIERS:

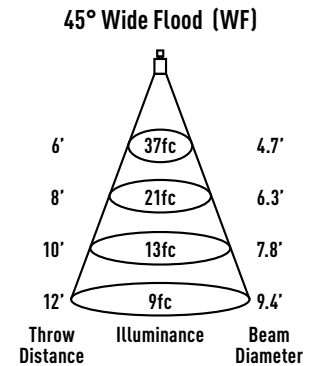
MXTG2-STRD306 (x 1.00)
MXTG2-STRR306 (x 1.00)



Watts: 16.4
Lumens: 629
LPW: 38
CCT: 3000K



Watts: 16.4
Lumens: 887
LPW: 54
CCT: 3000K



Watts: 16.4
Lumens: 731
LPW: 45
CCT: 3000K

Intensity	
Degree	Candela
0°	4013
5°	3491
15°	826
25°	45
35°	6
45°	4

Intensity	
Degree	Candela
0°	3253
5°	3063
15°	1484
25°	306
35°	39
45°	3

Intensity	
Degree	Candela
0°	1342
5°	1312
15°	1034
25°	471
35°	116
45°	5