

MXG2DSTL

3.5" MX G2 LED Warm Dim Square Trimless Downlight

ELECTRICAL DATA

LED Light Engine	System Wattage *	CCT / CRI	Delivered Lumens **
WD1	13.5W	3000K-1800K / 92 CRI	900lm
WD2	16.5W	3000K-1800K / 92 CRI	1100lm

* System Wattage includes driver and LED Module consumption.

** Delivered lumens will vary depending on trim, CCT, CRI, optic and ceiling thickness

FEATURES

- Halogen style profile that warms as it dims
- 3000K at full intensity to 1800K at lowest dim level
- Multiple architectural trim options available
- Field changeable optics: 24°, 30°, 45°

LED LIGHT ENGINE

- 3000K to 1800K programmable tuning at 92 CRI
- 50,000 hours L70 (rated life at 70% output)

ELECTRICAL SYSTEM

- Multiple dimming drivers available
- 120V or 277V input; Power factor >.9, 50/60Hz
- This product complies with IEEE C62.41 for surge endurance up to 2.5KV. Additional surge protection recommended. Damage from power surge is not covered by warranty.

DIMMING

- Forward/reverse phase dimming 1% (120V only)
- 0-10V Dimming 1%
- EldoLED 0-10V 0.1% or 1%
- Lutron® LDE1 Hi-Lume 1% EcoSystem LED driver with Soft-on, Fade-to-Black dimming technology
- Lutron® LTEA2W Hi-Lume 1% 2-wire LED driver (120V forward phase only)
- DMX512 RDM 0.1%

HOUSING

- Heavy duty black powder coated 18 gauge steel frame
- Standard housing accommodates 5/8" ceiling thickness
- Extended collar options available for ceilings up to 1" or 2" thick, must specify either EC1 or EC2
- Perforated mesh frame is die-cast to a 0.8mm thickness to easily adhere to joint compound for seamless and trimless mounting.

TRIM SPECIFICATION

- High quality A380 aluminum die-cast trims

INSTALLATION

- Housing types include Non-IC and IC Air-Tight must specify
- Non-IC rated housings must be kept at a minimum of 3" away from insulation
- Butterfly brackets are compatible with C-channel, adjustable bar hangers (14"-25") and EMT
- C-channel is recommended for T-bar ceilings
- Bar hangers must be ordered separately
- Max. ambient temperature: 131°F (55°C)

EMERGENCY BACKUP

- Remote test switch included
- External battery operates LED load at a minimum of 500lm to 850lm for 90 minutes, depending on backup wattage selected
- Servicing requires above ceiling access

ACCESSORIES

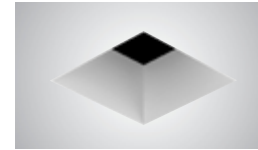
Luminaire will accommodate (2) accessories (Accessory is holder required)

LISTING / WARRANTY

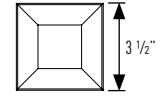
- 5-Year Intense LED Limited Warranty
- ETL listed to US and Canadian standards for damp locations
- (-IC Only) Air-Tight Certified ASTM E283
- (-IC Only) ETL listed for direct contact w/insulation
- Can be used to comply with Title 24, Part 6, JA8 high efficacy LED light source requirements



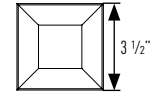
JOB NAME	CATALOG NUMBER
NOTES	TYPE



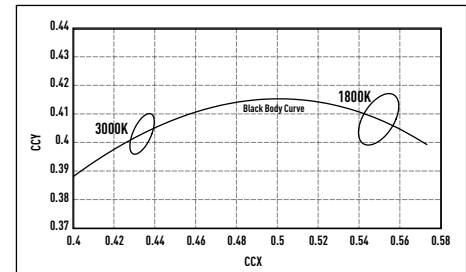
MXTG2-STLD300
(1 1/2" Regress)



MXTG2-STLR300
(1/2" Regress)



Available Trim Finishes



Housing Part Number (Example: MXG2DSTL-NCW1DIM)

Housing	Installation Type	Ceiling Thickness	Wattage	Dimming	Voltage	Options
MXG2DSTL	-NC (Non-IC)	blank (5/8")	WD1 (13.5W)	DIM ¹ (Phase Dimming)	blank (-NC: 120V Only)	1100 (C-Channel Bar Hangers)
	-IC (Air-Tight IC)	EC1 (1") EC2 (2")	WD2 (16.5W)	D101 (0-10V Dimming 1%) ED10V1 (eldoLED 0-10V 1%) ED10V01 (eldoLED 0-10V 0.1%) LUT (Lutron® LDE1 EcoSystem 1%) LUT2 ¹ (Lutron® LTEA2W 2-Wire 1%) DMXR ² (DMX512 RDM 0.1%)	-IC: UNV 120V-277V 27 (277V For -NC Only)	1200 (Flat Bar Hangers) 1400 (Wood Joist Bar Hangers) EM7 ³ (7W Emergency Backup IOTA Part #ILB-CP07-A) EM12 ³ (12W Emergency Backup IOTA Part #ILB-CP12-A)

Trim Part Number (Example: MXTG2-STLD300WWD1NF)

Trim	Finish	Wattage	Optic
MXTG2-STLD300 (1 1/2" Regress)	B (Black)	WD1 (13.5W)	NF (24° Narrow Flood)
	W (White)	WD2 (16.5W)	FL (30° Flood)
MXTG2-STLR300 (1/2" Regress)	SN (Satin Nickel)		WF (45° Wide Flood)
	AB (Antique Bronze) WH (Wheat)		

Accessories: (2) accessories max, accessory holder required.

- LH47 (Accessory Holder, Black)
- LH47W (Accessory Holder, White)
- PFLMB-47 (Hex Louver, Black)
- PFL1-47 (Prismatic Spread Lens)
- PFL2-47 (Linear Spread Lens)
- PFL4-47 (Soft Focus Lens)

Notes:

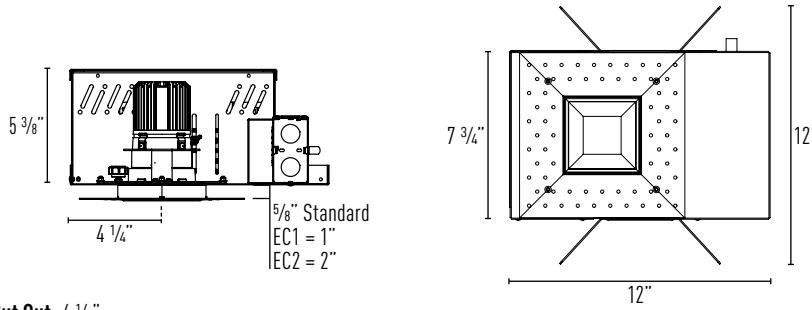
- Available in 120V only
- Not available with WD1
- Access above ceiling required

MXG2DSTL

3.5" MX G2 LED Warm Dim Square Trimless Downlight

JOB NAME		CATALOG NUMBER	
NOTES		TYPE	

NON-IC & AIR TIGHT IC DIMENSIONS



Plaster Frame Accommodation

Collar Type	Standard	EC1	EC2
Max Ceiling Thickness	Up-to 5/8"	Up-to 1"	Up-to 2"

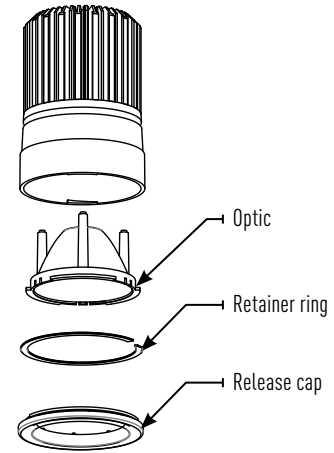
Ceiling Cut Out: 4 1/8"

OPTICS REPLACEMENT

1. Rotate release cap by turning counter clockwise.
2. Install accessories into accessory holder and replace accessory holder's retaining clip.
3. Place accessory holder and accessory flush against optic and replace release cap.

Optics

- IP-OP4724 (24° Narrow Flood)
- IP-OP4736 (30° Flood)
- IP-OP4750 (45° Wide Flood)



JOB NAME		CATALOG NUMBER	
NOTES		TYPE	

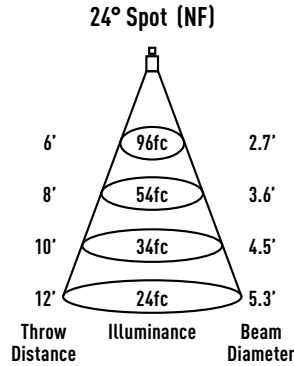
MXTG2-STLD300WWD1

REPORT #:

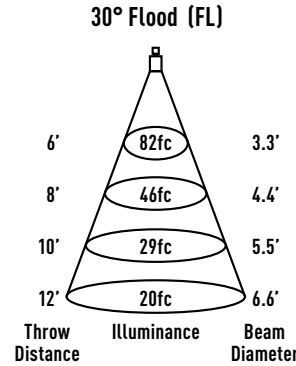
ILL20181001-9.001 (24)
ILL20180917-17.001 (30)
ILL20180919-25.001 (45)

TRIM MULTIPLIERS:

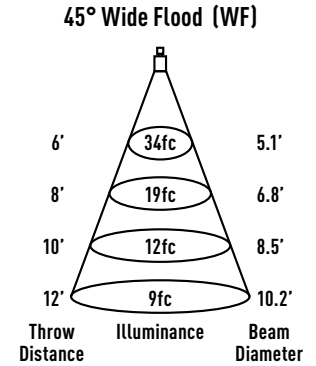
MXTG2-STRD300 (x 1.00)
MXTG2-STRR300 (x 0.93)



Watts: 13.5
Lumens: 784
LPW: 58
CCT: 3000K



Watts: 13.5
Lumens: 936
LPW: 69
CCT: 3000K



Watts: 13.5
Lumens: 816
LPW: 60
CCT: 3000K

Intensity	
Degree	Candela
0°	3442
5°	3074
15°	1196
25°	212
35°	26
45°	7

Intensity	
Degree	Candela
0°	2938
5°	2778
15°	1549
25°	415
35°	61
45°	10

Intensity	
Degree	Candela
0°	1233
5°	1206
15°	971
25°	531
35°	202
45°	52

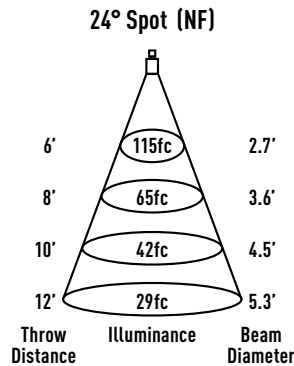
MXTG2-STLD300WWD2

REPORT #:

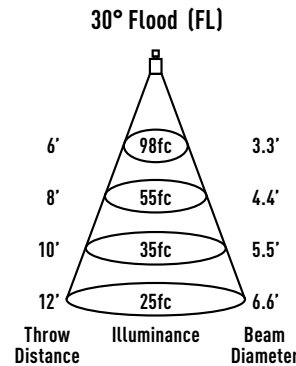
ILL20181001-9.002 (24)
ILL20180917-17.002 (30)
ILL20180919-25.002 (45)

TRIM MULTIPLIERS:

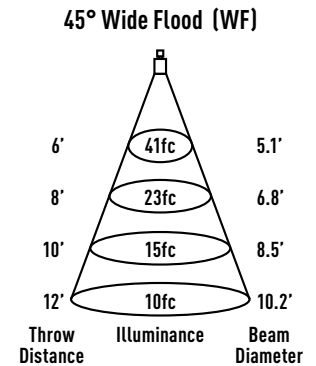
MXTG2-STRD300 (x 1.00)
MXTG2-STRR300 (x 0.93)



Watts: 16.4
Lumens: 945
LPW: 58
CCT: 3000K



Watts: 16.4
Lumens: 1128
LPW: 69
CCT: 3000K



Watts: 16.4
Lumens: 983
LPW: 60
CCT: 3000K

Intensity	
Degree	Candela
0°	4147
5°	3704
15°	1441
25°	255
35°	31
45°	8

Intensity	
Degree	Candela
0°	3540
5°	3347
15°	1866
25°	500
35°	73
45°	12

Intensity	
Degree	Candela
0°	1486
5°	1454
15°	1170
25°	640
35°	244
45°	63