

MXG2DSTL

3.5" MX G2 LED Warm Dim Square Trimless Lensed Downlight - Wet Location

ELECTRICAL DATA

LED Light Engine	System Wattage *	CCT / CRI	Delivered Lumens **
WD1	13.5W	3000K-1800K / 92 CRI	850lm
WD2	16.5W	3000K-1800K / 92 CRI	1000lm

* System Wattage includes driver and LED Module consumption.

** Delivered lumens will vary depending on trim, CCT, CRI, optic and ceiling thickness

FEATURES

- Halogen style profile that warms as it dims
- 3000K at full intensity to 1800K at lowest dim level
- Multiple architectural trim options available
- Field changeable optics: 24°, 30°, 45°

LED LIGHT ENGINE

- 3000K to 1800K programmable tuning at 92 CRI
- 50,000 hours L70 (rated life at 70% output)

ELECTRICAL SYSTEM

- Multiple dimming drivers available
- 120V or 277V input; Power factor >.9, 50/60Hz
- This product complies with IEEE C62.41 for surge endurance up to 2.5KV. Additional surge protection recommended. Damage from power surge is not covered by warranty.

DIMMING

- Forward/reverse phase dimming 1% (120V only)
- 0-10V Dimming 1%
- elDoLED 0-10V 0.1% or 1%
- Lutron® LDE1 Hi-Lume 1% EcoSystem LED driver with Soft-on, Fade-to-Black dimming technology
- Lutron® LTEA2W Hi-Lume 1% 2-wire LED driver (120V forward phase only)
- DMX512 RDM 0.1%

HOUSING

- Heavy duty black powder coated 18 gauge steel frame
- Standard housing accommodates 5/8" ceiling thickness
- Extended collar options available for ceilings up to 1" or 2" thick, must specify either EC1 or EC2
- Perforated mesh frame is die-cast to a 0.8mm thickness to easily adhere to joint compound for seamless and trimless mounting.

TRIM SPECIFICATION

- High quality A380 aluminum die-cast trims
- Trim is available with solite, clear tempered or frosted lens, must specify.

INSTALLATION

- Housing types include Non-IC and IC Air-Tight must specify
- Non-IC rated housings must be kept at a minimum of 3" away from insulation
- Butterfly brackets are compatible with C-channel, adjustable bar hangers (14"-25") and EMT
- C-channel is recommended for T-bar ceilings
- Bar hangers must be ordered separately
- Max. ambient temperature: 131°F (55°C)

EMERGENCY BACKUP

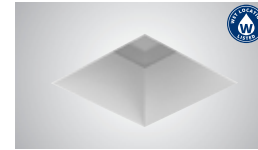
- Remote test switch included
- External battery operates LED load at a minimum of 500lm to 850lm for 90 minutes, depending on backup wattage selected
- Servicing requires above ceiling access

LISTING / WARRANTY

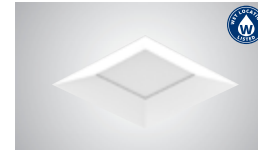
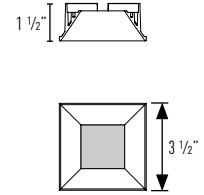
- 5-Year Intense LED Limited Warranty
- ETL listed to US and Canadian standards for wet locations
- (-IC Only) Air-Tight Certified ASTM E283
- (-IC Only) ETL listed for direct contact w/insulation
- Can be used to comply with Title 24, Part 6, JAB high efficacy LED light source requirements 4



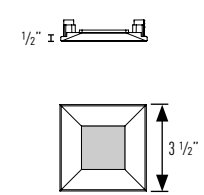
JOB NAME	CATALOG NUMBER
NOTES	TYPE



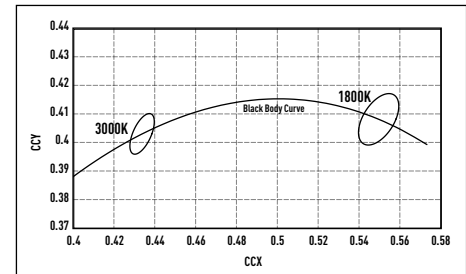
MXTG2-STLD302
(1 1/2" Regress with Lens)



MXTG2-STLR302
(1/2" Regress with Lens)



Available Trim Finishes



Housing Part Number (Example: MXG2DSTL-NCW1DIM)

Housing	Installation Type	Ceiling Thickness	Wattage	Dimming	Voltage	Options
MXG2DSTL	-NC (Non-IC)	blank (5/8")	WD1 (13.5W)	DIM¹ (Phase Dimming)	blank (-NC: 120V Only)	I100 (C-Channel Bar Hangers)
	-IC (Air-Tight IC)	EC1 (1") EC2 (2")	WD2 (16.5W)	D101 (0-10V Dimming 1%) ED10V1 (elDoLED 0-10V 1%) ED10V01 (elDoLED 0-10V 0.1%) LUT (Lutron® LDE1 EcoSystem 1%) LUT2¹ (Lutron® LTEA2W 2-Wire 1%) DMXR² (DMX512 RDM 0.1%)	27 (277V For -NC Only)	I200 (Flat Bar Hangers) I400 (Wood Joist Bar Hangers) EM7³ (7W Emergency Backup IOTA Part #ILB-CP07-A) EM12³ (12W Emergency Backup IOTA Part #ILB-CP12-A)

Trim Part Number (Example: MXTG2-STLD302WWD1NF-SL)

Trim	Finish	Wattage	Optic	Lens
MXTG2-STLD302 (1 1/2" Regress)	B (Black)	WD1 (13.5W)	NF (24° Narrow Flood)	-SL⁴ (Solite)
	W (White)	WD2 (16.5W)	FL (30° Flood)	-CR (Clear Tempered)
MXTG2-STLR302 (1/2" Regress)	SN (Satin Nickel)		WF (45° Wide Flood)	-FR⁴ (Frosted)
	AB (Antique Bronze) WH (Wheat)			

Notes:

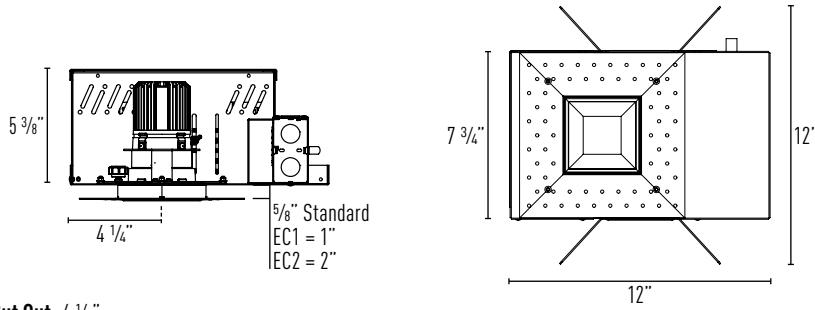
- Available in 120V only
- Not available with WD1
- Access above ceiling required
- Solite and frosted lens can not be used to comply with Title 24, Part 6, JAB high efficacy LED light source requirements. Clear lens only.

MXG2DSTL

3.5" MX G2 LED Warm Dim Square Trimless Lensed Downlight - Wet Location

JOB NAME		CATALOG NUMBER	
NOTES		TYPE	

NON-IC & AIR TIGHT IC DIMENSIONS



Plaster Frame Accommodation

Collar Type	Standard	EC1	EC2
Max Ceiling Thickness	Up-to 5/8"	Up-to 1"	Up-to 2"

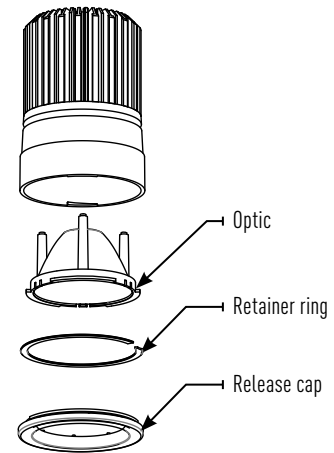
Ceiling Cut Out: 4 1/8"

OPTICS REPLACEMENT

1. Rotate release cap by turning counter clockwise.
2. Install accessories into accessory holder and replace accessory holder's retaining clip.
3. Place accessory holder and accessory flush against optic and replace release cap.

Optics

- IP-OP4724 (24° Narrow Flood)
- IP-OP4736 (30° Flood)
- IP-OP4750 (45° Wide Flood)



JOB NAME		CATALOG NUMBER	
NOTES		TYPE	

MXTG2-STLD302WWD1-CR

REPORT #:

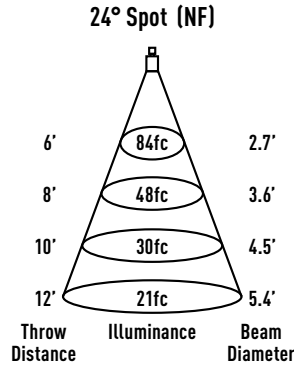
ILL20181001-10.001 (24)
ILL20180917-18.001 (30)
ILL20180919-26.001 (45)

TRIM MULTIPLIERS:

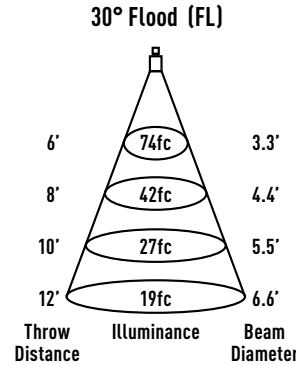
MXTG2-STRD302 (x 1.00)
MXTG2-STRR302 (x 0.93)

LENS MULTIPLIERS:

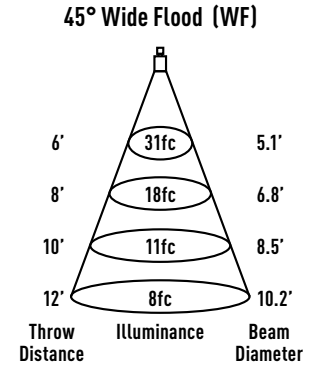
Solite (x 0.92)
Clear (x 1.00)
Frosted (x 0.92)



Watts: 13.5
Lumens: 699
LPW: 52
CCT: 3000K



Watts: 13.5
Lumens: 855
LPW: 63
CCT: 3000K



Watts: 13.5
Lumens: 743
LPW: 55
CCT: 3000K

Intensity	
Degree	Candela
0°	3039
5°	2718
15°	1069
25°	199
35°	24
45°	5

Intensity	
Degree	Candela
0°	2665
5°	2521
15°	1405
25°	386
35°	61
45°	9

Intensity	
Degree	Candela
0°	1117
5°	1093
15°	881
25°	482
35°	185
45°	49

MXTG2-STLD302WWD2-CR

REPORT #:

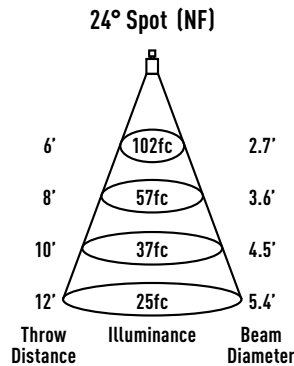
ILL20181001-10.002 (24)
ILL20180917-18.002 (30)
ILL20180919-26.002 (45)

TRIM MULTIPLIERS:

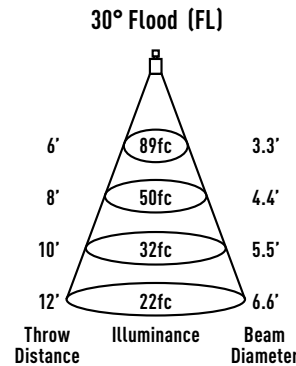
MXTG2-STRD302 (x 1.00)
MXTG2-STRR302 (x 0.93)

LENS MULTIPLIERS:

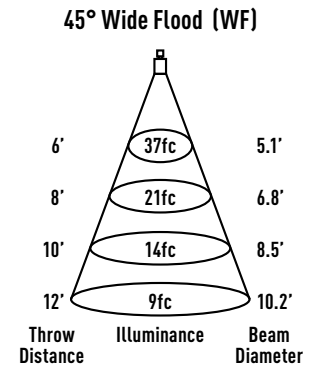
Solite (x 0.92)
Clear (x 1.00)
Frosted (x 0.92)



Watts: 16.4
Lumens: 842
LPW: 51
CCT: 3000K



Watts: 16.4
Lumens: 1030
LPW: 63
CCT: 3000K



Watts: 16.4
Lumens: 895
LPW: 55
CCT: 3000K

Intensity	
Degree	Candela
0°	3661
5°	3274
15°	1289
25°	239
35°	29
45°	6

Intensity	
Degree	Candela
0°	3211
5°	3037
15°	1693
25°	465
35°	73
45°	11

Intensity	
Degree	Candela
0°	1346
5°	1317
15°	1061
25°	581
35°	223
45°	59